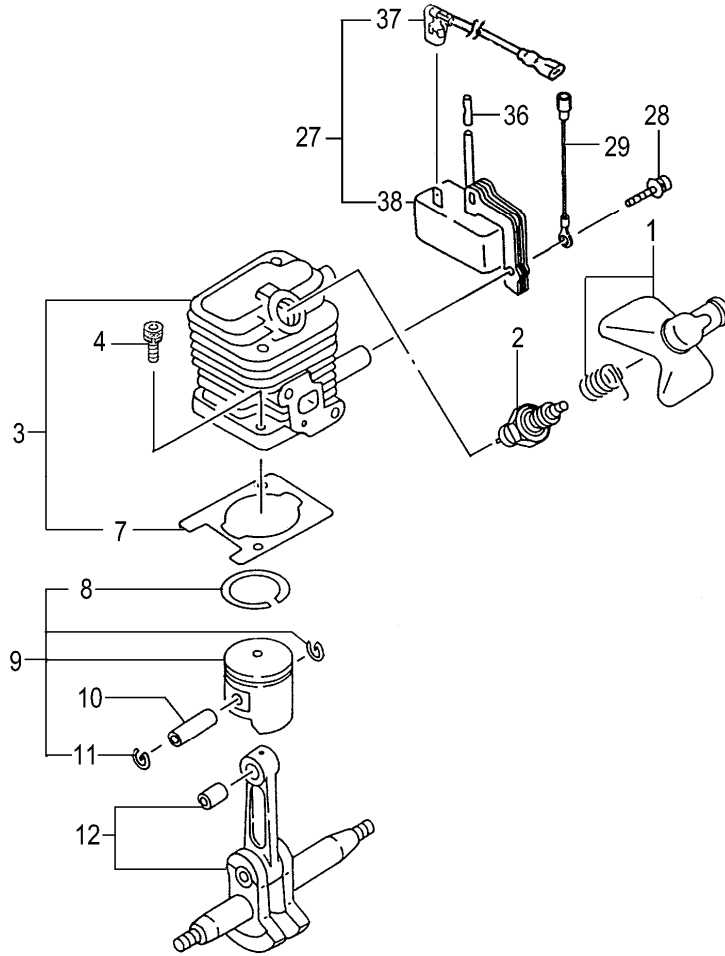


H51
(For USA)

Tanaka

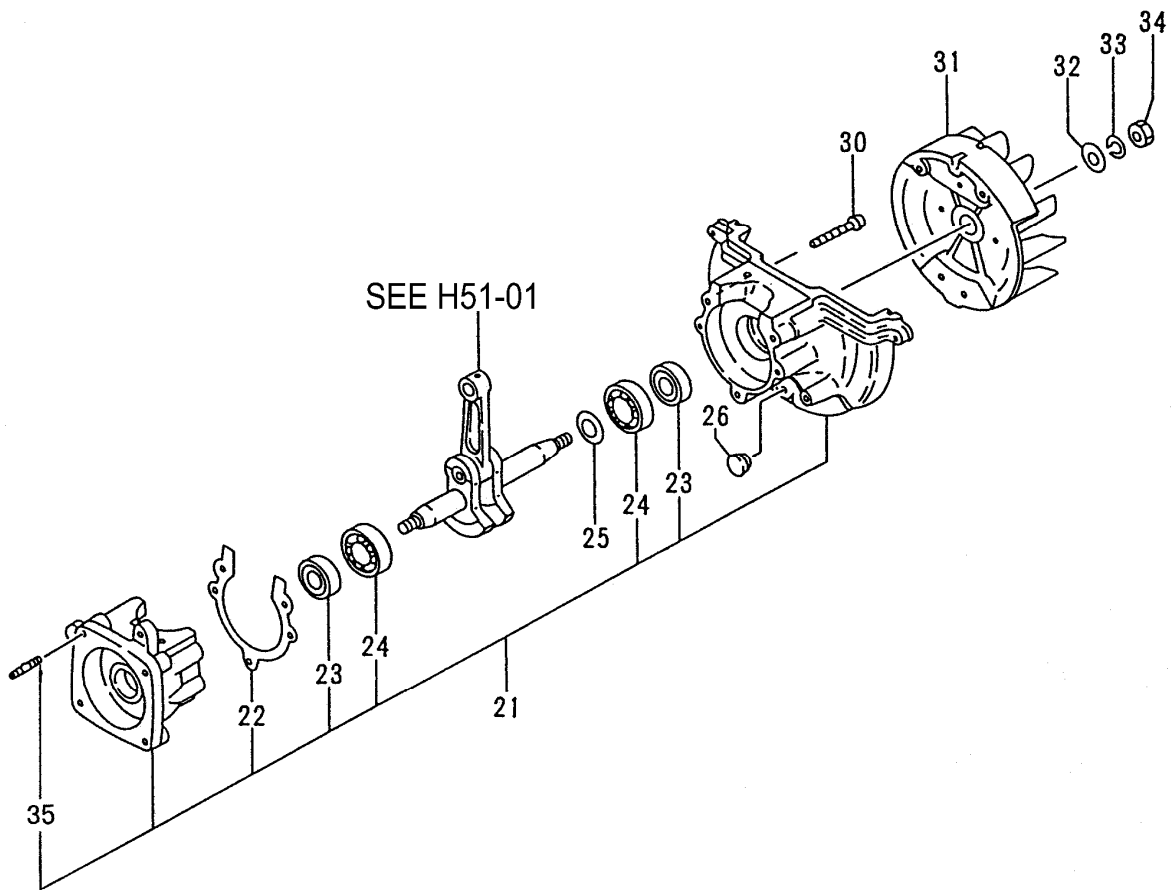
THT-210SA
Serial No.

H51-01 CYLINDER/PISTON/CRANK SHAFT



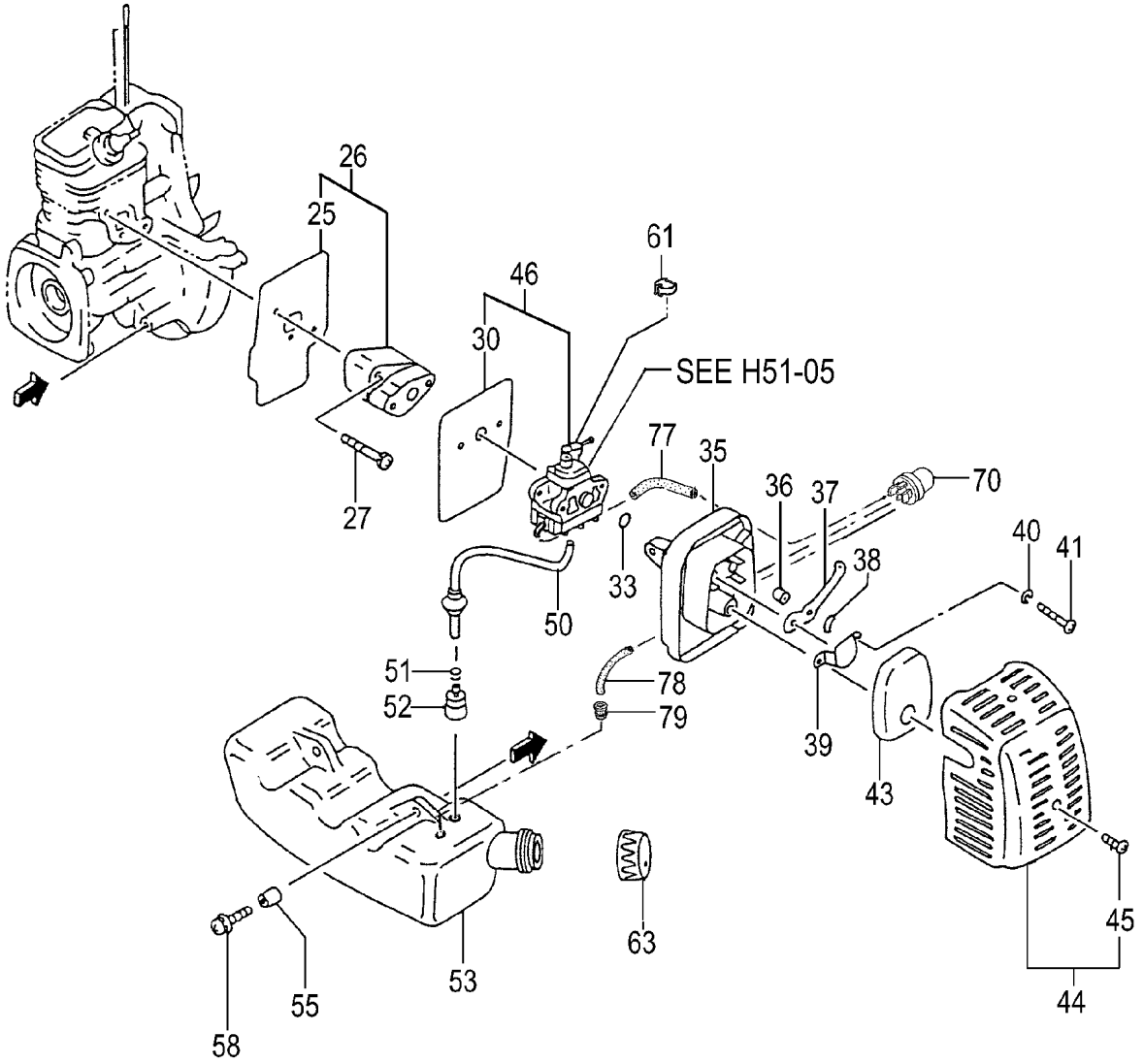
REF. NUMBER	PARTS NUMBER	DESCRIPTION	Q'TY	REMARKS /SERIAL NO.
H51-01 CYLINDER/PISTON/CRANK SHAFT				
001	668-7476	SPARK PLUG CAP ASS'Y	1	
002	668-5085	SPARK PLUG BPM6A	1	
003	668-5480	CYLINDER SET	1	
004	668-4586	HEX.HOLE BOLT M5X18/S	2	
007	668-5744	CYLINDER GASKET	1	
008	668-6118	PISTON RING	1	
009	668-5892	PISTON SET	1	
010	668-6015	PISTON PIN	1	
011	668-6028	PISTON PIN CIRCLIP	2	
012	668-6205	CRANK SHAFT COMP.	1	- F032900
012	668-6208	CRANK SHAFT COMP	1	F032901 -
027	668-7353	IGNITIONCOIL ASS'Y	1	
028	668-4599	HEX.HOLE BOLT M4X18/WS	2	
029	668-8477	CORD	1	
036	668-4597	INSULATOR TUBE 50L	1	
037	668-7918	CORD 200M	1	
038	668-7702	IGNITION COIL COMP.	1	

H51-02 CRANK CASE



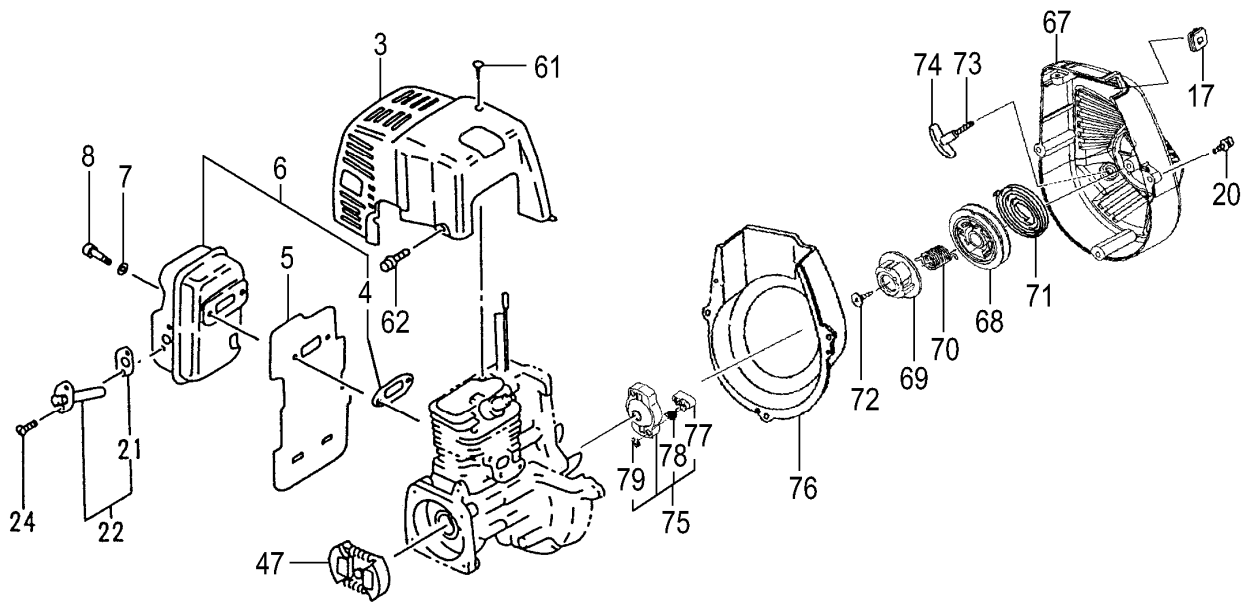
REF. NUMBER	PARTS NUMBER	DESCRIPTION	Q'TY	REMARKS /SERIAL NO.
H51-02 CRANK CASE				
021	668-6574	CRANK CASE ASS'Y	1	
022	668-6720	CRANKCASE GASKET	1	
023	668-4607	OIL SEAL TB 12227	2	
024	668-4608	BALL BEARING 6001 C3	2	
025	668-4604	GEAR SHAFT SHIM 0.20	V	
025	668-4605	GEAR SHAFT SHIM 0.30	V	
026	669-1822	ANTI-VIBE RUBBER	1	
030	668-4786	HEX. SOCKET HD. BOLT M5X30 S	3	
031	668-7389	MAGNETO ROTOR COMP.	1	- F032900
031	668-7396	MAGNETO ROTOR COMP.	1	F032901 -
032	668-4611	WASHER M8	1	
033	668-4971	S.WASHER 8	1	
034	668-4612	HEX.NUT M8	1	
035	668-6771	STUD BOLT 6X22	2	

H51-03 ENGINE-1



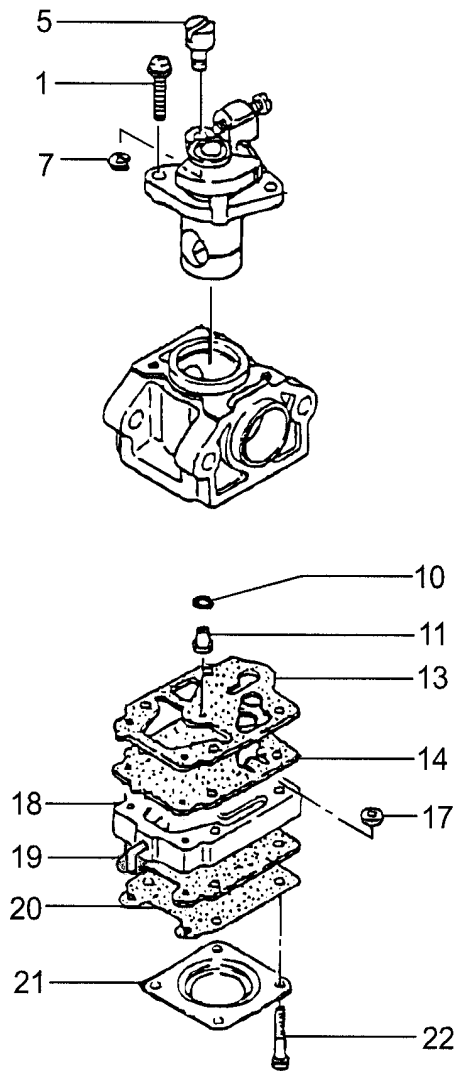
REF. NUMBER	PARTS NUMBER	DESCRIPTION	Q'TY	REMARKS /SERIAL NO.
H51-03	ENGINE-1			
025	668-9891	INTAKE PIPE GASKET	1	
026	668-9966	CARB. INSULATOR SET,SPARE	1	
027	669-5515	HEX. HOLE BOLT 5X25WS	2	
030	668-9839	CARBURETOR GASKET	1	
033	669-5670	O-RING P-15	1	
035	669-0119	CLEANER BODY COMP.	1	
036	669-0804	COLLAR 7.5	2	
037	669-1274	CHOKE VALVE	1	
038	668-4658	WAVE WASHER 8	1	
039	669-0843	BLOW OVER CHECK BOARD	1	
040	668-4662	S.WASHER 5	2	
041	668-4660	SCREW M5X60	2	
043	669-0364	CLEANER SPONGE	1	
044	669-0415	CLEANER COVER ASS'Y	1	
045	668-9737	SPECIAL SCREW	1	
046	669-0487	CARBURETOR SET, WYL120	1	
050	668-5247	SHIELD TUBE ASS'Y	1	
051	668-4619	CLIP,6.3 DIA.	1	
052	668-4620	PUMP FILTER BODY COMP.	1	
053	669-1564	FUEL TANK	1	
055	669-2244	COLLAR 5.8	2	
058	669-5505	HEX. HOLE BOLT 5X18PS	2	
061	668-4628	SWIVEL CAP	1	
063	669-1715	TANK CAP D ASS'Y,BLACK	1	
070	668-5139	PRIMING PUMP COMP.	1	
077	669-2347	FUEL PIPE 2.5X4X80	1	
078	669-2346	FUEL PIPE 2.5X4X70	1	
079	668-4627	RETURN GROMMET	1	

H51-04 ENGINE-2



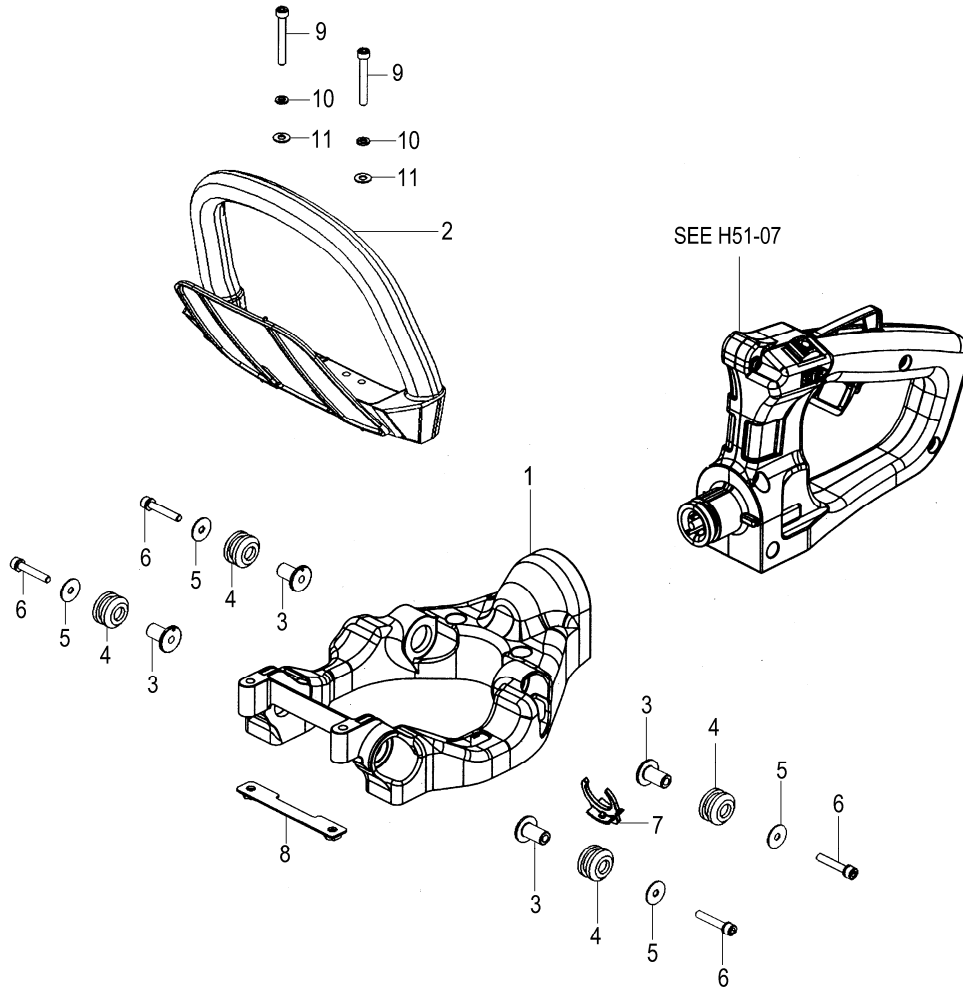
REF. NUMBER	PARTS NUMBER	DESCRIPTION	Q'TY	REMARKS /SERIAL NO.
H51-04 ENGINE-2				
003	669-2795	MUFFLER PROTECTOR	1	
004	669-2744	MUFFLER GASKET	1	
005	668-7252	HEAT SHIELD	1	
006	669-2476	MEFFLAR SET	1	
007	668-4661	WASHER 5	2	
008	668-5114	HEX. SOCKET HD. BOLT M5X50	2	
017	668-8050	GROMMET	1	
020	669-5502	HEX.HOLE BOLT 4X18PS	3	
021	669-2886	MUFFLER SPECIAL GASKET	1	
022	669-2657	TAIL PIPE SET	1	
024	668-5109	MACHINE SCREW (W/SP. WASHER) M4X8	2	
047	668-8494	CLUTCH ASS'Y	1	
061	668-4636	TAPPING SCREW D4.5X16	1	
062	669-5441	BOLT 4X12PS	2	
067	668-7014	FAN CASE COMP.	1	
068	669-3072	STARTER ROPE REEL	1	
069	668-4678	CAM PLATE	1	
070	668-4677	DUMPER SPRING	1	
071	668-4675	RECOIL SPRING	1	
072	668-4679	SET SCREW	1	
073	669-3172	ROPE 3X890	1	
074	669-3237	STARTER HANDLE	1	
075	668-4681	STARTER PULLEY ASS'Y	1	
076	668-7209	DEFLECTOR	1	
077	668-4685	STARTER PAWL	2	
078	668-4684	STARTER PAWL SPRING	2	
079	668-4683	STOP RING E-5	2	

H51-05 CARBURETOR



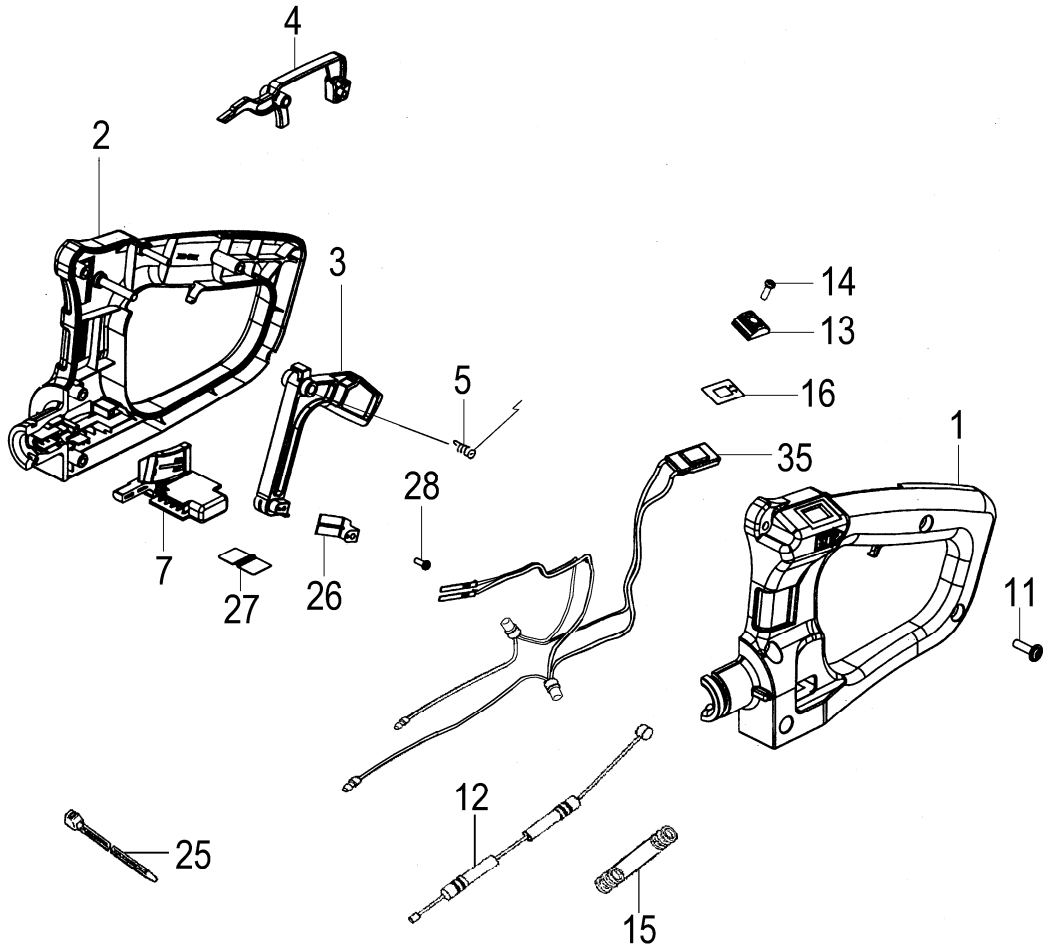
REF. NUMBER	PARTS NUMBER	DESCRIPTION	Q'TY	REMARKS /SERIAL NO.
H51-05 CARBURETOR				
001	668-4698	THROTTLE SET SCREW	2	
005	668-4697	SWIVEL	1	
007	668-4696	STOP RING	1	
010	668-4695	O-RING	1	
011	669-1888	MAIN JET #34.5	1	
013	669-1457	PUMP GASKET	1	
014	668-4693	PUMP DIAPHRAGM	1	
017	668-4700	INLET SCREEN	1	
018	669-1430	PUMP BODY COMP.	1	
019	668-5220	DIAPHRAGM PACKING	1	
020	669-0827	METERING DIAPHRAGM COMP.	# 1	
021	668-5222	DIAPHRAGM COVER	1	
022	669-1312	SET SCREW	4	
	669-2191	CARB. REPAIR KIT, K10-WYL	1	
	669-2200	GASKET/DIA. KIT,D10WYL	1	

H51-06 FRONT HANDLE



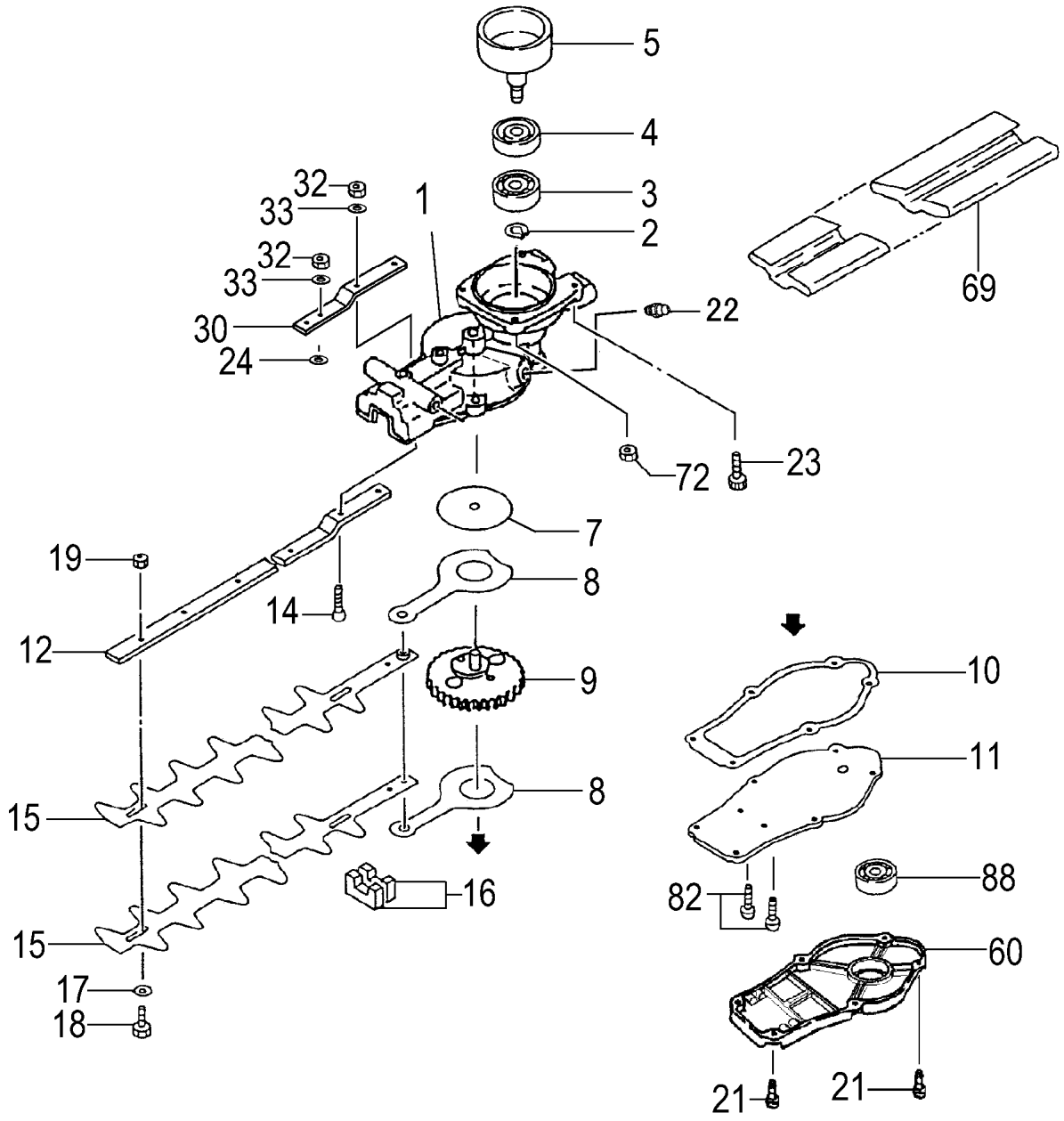
REF. NUMBER	PARTS NUMBER	DESCRIPTION	Q'TY	REMARKS /SERIAL NO.
	H51-06	FRONT HANDLE		
001	668-8380	FLAME	1	
002	668-8096	FRONT HANDLE	1	
003	668-8485	DAMPER COLLAR B	4	
004	668-8412	DAMPER B	4	
005	668-9680	BRAKE SHAFT WASHER	4	
006	668-4786	HEX. SOCKET HD. BOLT M5X30 S	4	
007	669-1123	CLIP	1	
008	668-6111	HANDLE SUPPORT COMP.	1	
009	669-5054	HEX. HOLE BOLT 5X40	2	
010	668-4834	SPRING WASHER 5	2	
011	668-4918	WASHER M5	2	

H51-07 REAR HANDLE



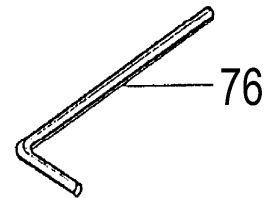
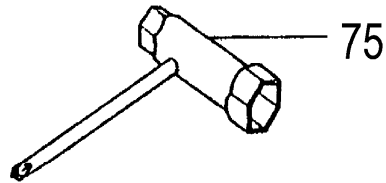
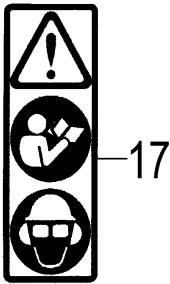
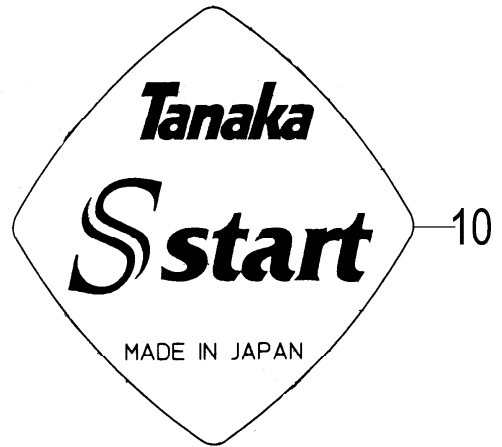
REF. NUMBER	PARTS NUMBER	DESCRIPTION	Q'TY	REMARKS /SERIAL NO.
H51-07 REAR HANDLE				
001	668-6316	HANDLE B	1	
002	668-6280	HANDLE A	1	
003	668-8231	THROTTLE TRIGGER	1	
004	668-8240	SAFETY LEVER OR	1	
005	668-8244	THROTTLE LEVER SPRING	1	
007	668-8247	LOCK LEVER	1	
011	668-4636	TAPPING SCREW D4.5X16	5	
012	669-3991	THROTTLE WIRE 235+57	1	
013	668-8366	BUTTON STOP	1	
014	668-4913	SCREW 3X10	1	
015	668-7524	PROTECTION TUBE 150L	1	
016	669-4588	STOP BUTTON MARK	1	
025	668-8015	CORD CLAMP	1	
026	668-9130	EARTH TERMINAL	1	
027	668-8249	METAL PLATE	1	
028	668-5158	TAPPING SCREW D3X8	1	
035	668-7920	CORD COMP.	1	

H51-08 GEAR CASE/BLADE



REF. NUMBER	PARTS NUMBER	DESCRIPTION	Q'TY	REMARKS /SERIAL NO.
H51-08 GEAR CASE/BLADE				
001	668-8684	GEAR CASE COMP.	1	
002	669-5285	STOP RING C-15, OUTER	1	
004	669-5538	BALL BEARING #6002Z, 32MM/OD	2	
005	668-8570	CLUTCH DRUM COMP.	1	
007	668-6612	GUIDE PLATE	1	
008	668-6811	CAM ROD	2	
009	668-8625	GEAR 2 COMP.	1	
010	668-8909	GEAR CASE GASKET	1	
011	669-2101	GEAR CASE COVER	1	
012	668-7147	CUTTER GUIDE 734L M6	1	
014	669-5075	HEX. HOLE FLUSH BOLT 6X25	2	
015	668-7086	CUTTER A (696.5L)	2	
016	668-6654	GREASE SEAL A	2	
017	668-7187	WASHER 7 BLACK	5	
018	668-7158	FIXING BOLT A M6	5	
019	669-5170	FLANGE NUT 6	4	
021	668-4595	HEX.HOLE BOLT M4X12/S	6	
022	668-8643	GREASE NIPPLE COMP.	1	
023	669-5495	HEX. HOLE BOLT 6X18/S	2	
024	668-4822	SPECIAL WASHER B	1	
030	669-0762	SUPPORT PLATE	1	
032	669-5175	NUT 6 UPS-P	3	
033	668-4639	WASHER 6	3	
060	668-8844	GEAR CASE B	1	
069	668-7302	CUTTER COVER	1	
072	669-5475	SPRING NUT 6	2	
082	669-5484	HEX. HOLE BOLT 4X10S	2	
088	669-5547	BALL BEARING 608 ZZ C3	1	

H51-09 TOOLS/LABELS



REF. NUMBER	PARTS NUMBER	DESCRIPTION	Q'TY	REMARKS /SERIAL NO.
H51-09 TOOLS/LABELS				
001	669-4199	NAME PLATE THT-210SA	1	
010	669-4466	RECOIL LABEL S-START	1	
017	669-4564	CAUTION MARK	1	
075	668-5997	COMBI. BOX SPANNER 10X19 ,PLUS	1	
076	668-4813	HEX. BAR WRENCH 4MM	1	