

Tanaka Illustrated Parts Manual

Model Number:

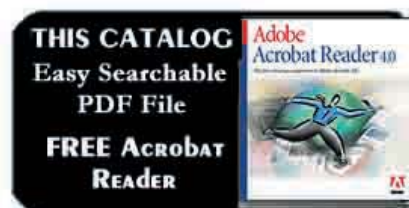
TPH-2501

ARTICULATING POLE HEDGE TRIMMER

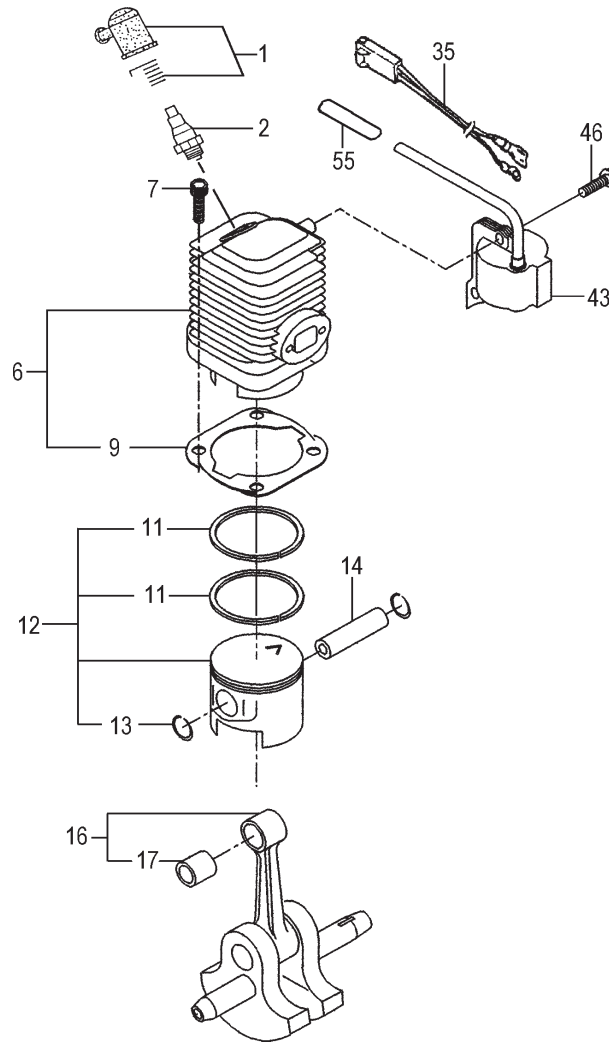
P/N 30240

Rev 000

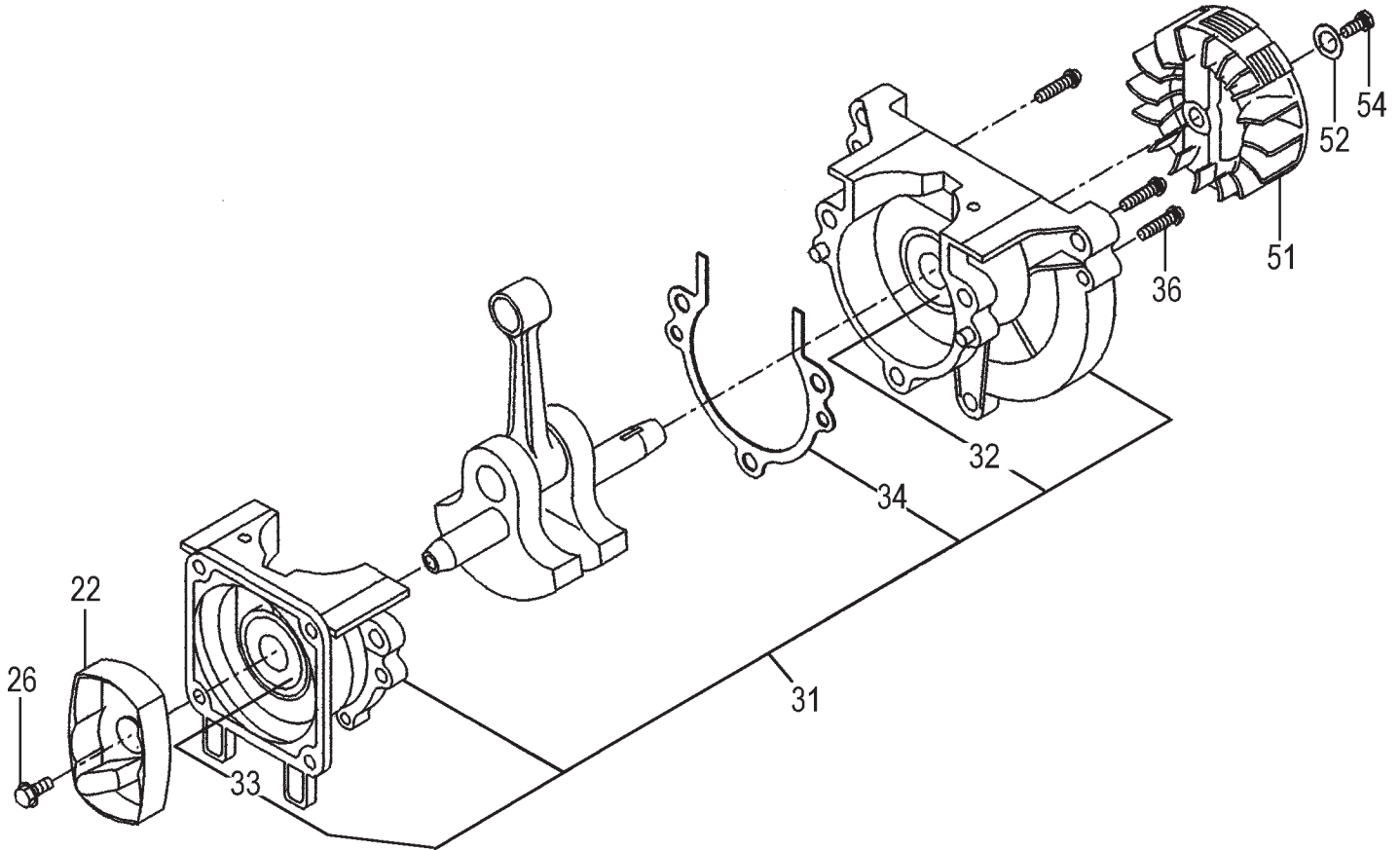
Date 10-24-07



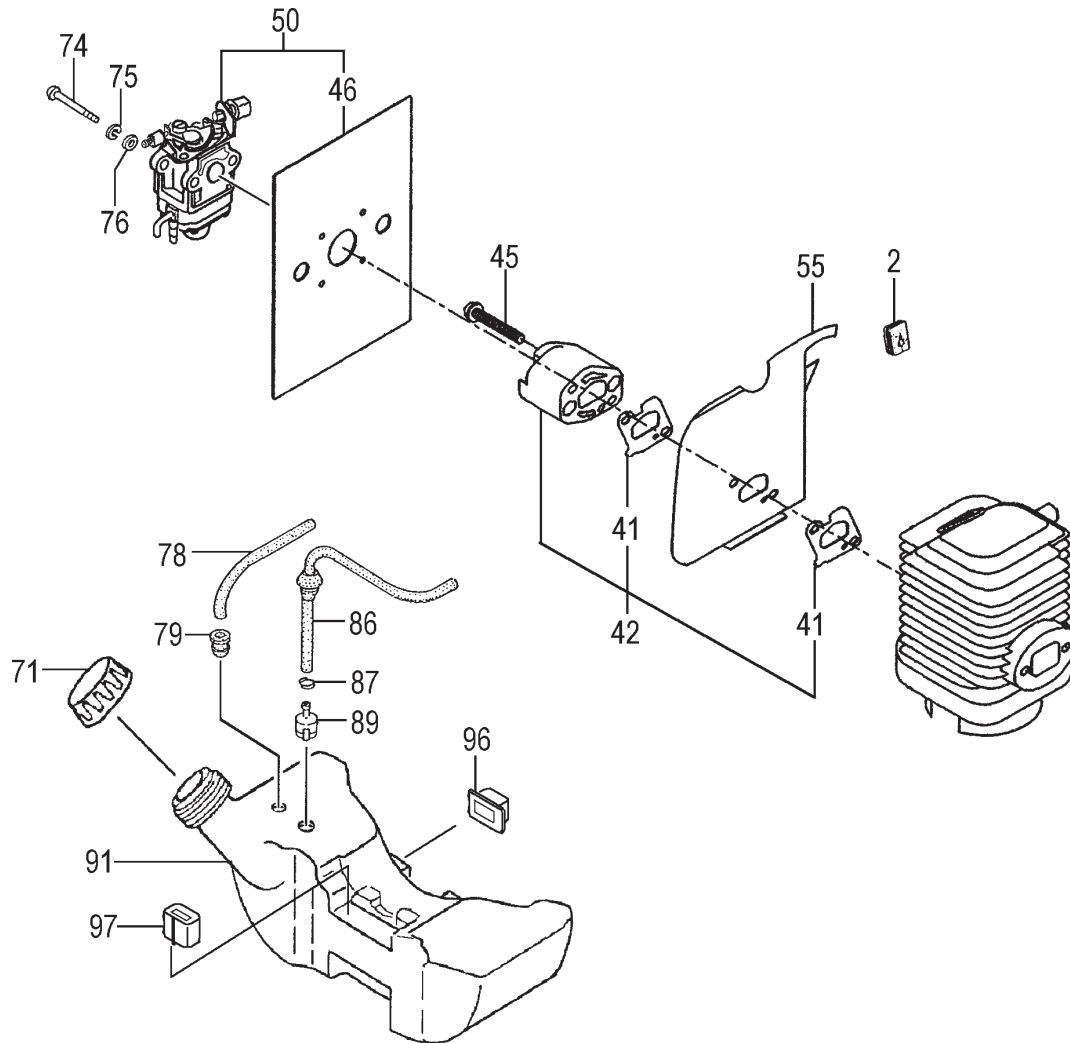
Nikko Tanaka Engineering U.S.A.,Ltd. • 1028 4th Street SW, Bldg B • Auburn, WA 98001 • Phone: (253) 333-1200 • Fax: (253) 333-1212



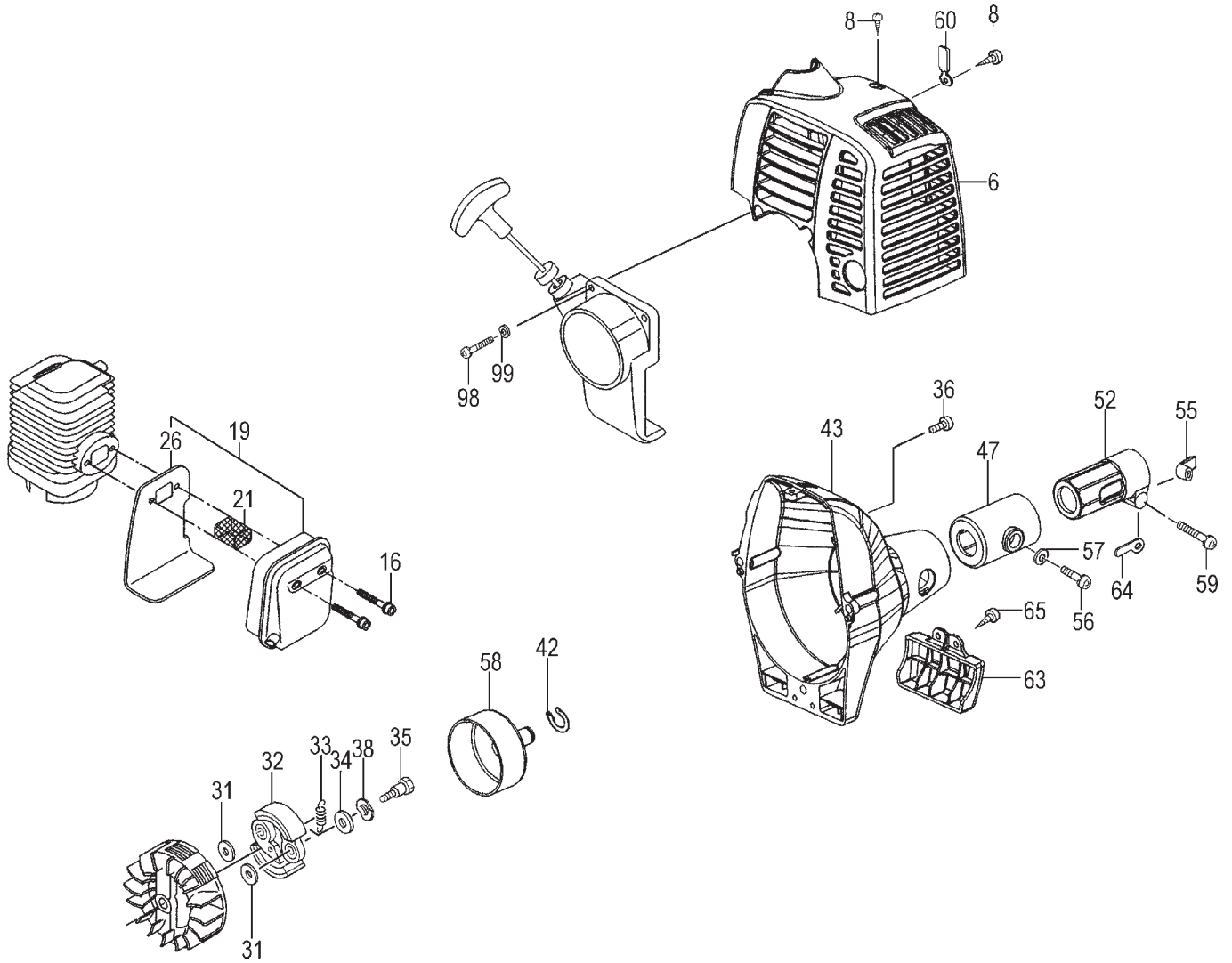
ITEM	PART NUMBER	DESCRIPTION	QTY	COMMENTS
1-1	15701570900	CAP, SPARK PLUG, ASS'Y	1	
1-2	01802233200	PLUG, SPARK	1	
1-6	0010706090	SET, CYLINDER	1	Includes cylinder gasket
1-7	99464050204	SCREW, 5X20, WS	2	
1-9	0170706020	GASKET, CYLINDER	1	
1-11	0410706020	RING, PISTON	2	
1-12	0300706590	SET, PISTON	1	W200471~ Includes rings, and circlips
1-12	0300706090	SET, PISTON	1	~W200470 Includes rings, and circlips
1-13	0390706020	CIRCLIP, PISTON PIN	2	
1-14	0370706020	PIN, PISTON	1	~W200470
1-14	0370706520	PIN, PISTON	1	W200471~
1-16	0460706090	CRANKSHAFT	1	
1-17	0890706080	BEARING, NEEDLE	1	
1-35	1780603180	CORD, B260M	1	
1-43	1670706080	COIL, IGNITION	1	
1-46	99416040201	SCREW, 4x20 WS	2	
1-55	2500706020	TUBE, INSULATOR	1	



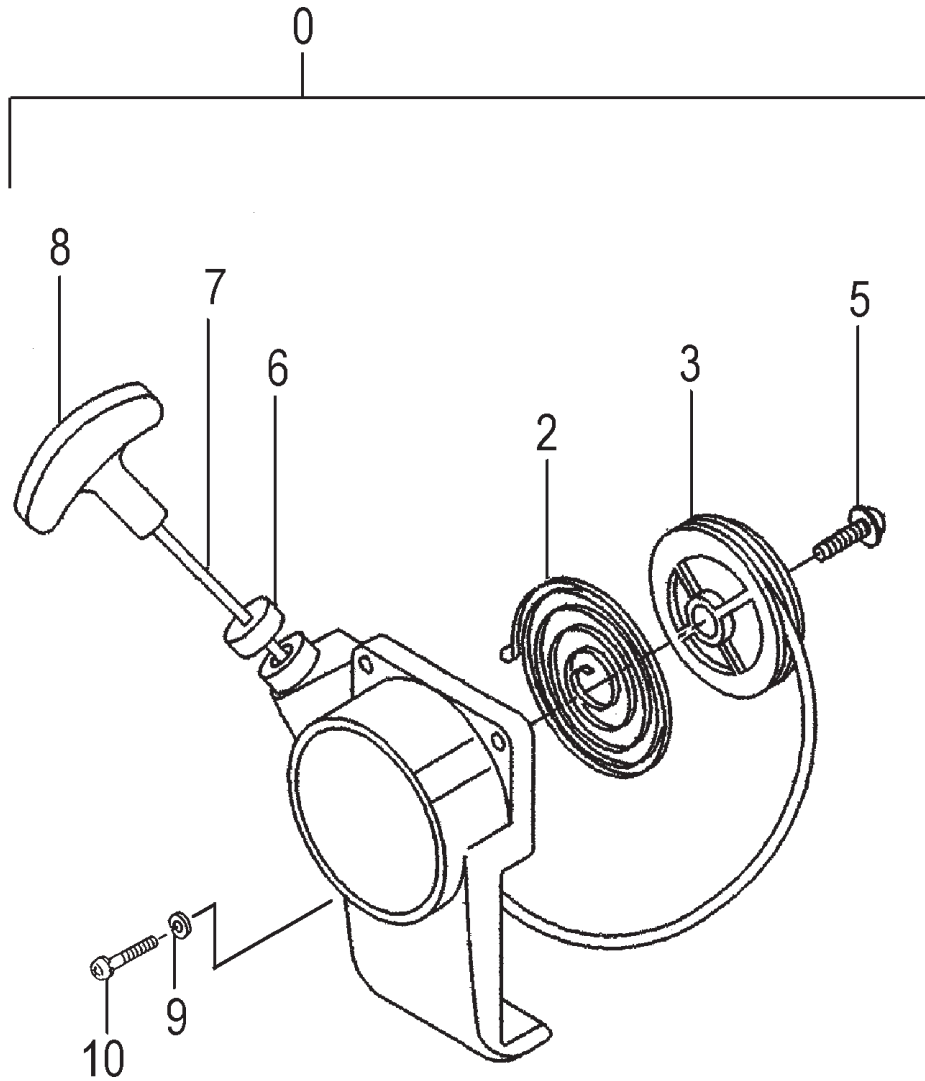
ITEM	PART NUMBER	DESCRIPTION	QTY	COMMENTS
2-22	7980706090	PULLEY, STARTER	1	
2-26	3800706080	BOLT, M6	1	
2-31	0720706090	CRANKCASE, ASS'Y	1	Includes bearings, seals and gasket
2-32	99961600100	BEARING, BALL, #6001	2	
2-33	99966122272	SEAL, OIL 122245	2	
2-34	0900706020	GASKET, CRANKCASE	1	
2-36	99414050251	SCREW, 5X25	3	
2-51	1550706080	ROTOR, MAGNETO	1	
2-52	1820706020	WASHER, SPECIAL, M6	1	
2-54	99421060161	BOLT, 6X16S	1	



ITEM	PART NUMBER	DESCRIPTION	QTY	COMMENTS
3-2	2030706020	GROMMET	1	
3-41	4030706020	GASKET,INTAKE MANIFOLD	2	
3-42	4040706090	SET,INSULATOR	1	
3-45	99416050251	SCREW,5X25/S	2	
3-46	4020706020	GASKET,CARBURETOR	1	
3-50	4550706090	SET,CARBURETOR	1	
3-55	1320706020	SHIELD	1	
3-71	5950300290	CAP,TANK (BLACK/RED)	1	
3-74	99011050651	SCREW,5X65	2	
3-75	99210050012	WASHER,S,5	2	
3-76	99201050011	WASHER,5	2	
3-78	7000300507	PIPE,FUEL,3X5X75	1	
3-79	53432710200	GROMMET,FUEL PIPE	1	
3-86	2230162V900	PIPE,FUEL,ASS'Y	1	
3-87	68000731201	CLIP 6.3	1	
3-89	6750404280	FILTER,FUEL	1	
3-91	5910706080	TANK,FUEL	1	
3-96	65500940201	CUSHION,FUEL TANK	2	
3-97	6010706020	CUSHION,TANK	2	



ITEM	PART NUMBER	DESCRIPTION	QTY	COMMENTS
4-6	7380706020	COVER,MUFFLER	1	
4-8	99073045104	SCREW,TAPPING,4.5X10	3	
4-16	99460050454	SCREW,5X45W	2	
4-19	7040706090	SET,MUFFLER	1	
4-21	7320706020	ARRESTOR,SPARK	1	
4-26	1330706020	SHIELD,HEAT	1	
4-31	35902103200	WASHER,CLUTCH,B	2	
4-32	29001620800	SHOE,CLUTCH	2	
4-33	3420630B200	SPRING,CLUTCH	1	
4-34	3480602R200	WASHER,CLUTCH A	2	
4-35	3570075T200	BOLT,STEP	2	
4-36	99416050162	SCREW,5X16/WS	3	
4-38	99205080030	WASHER,8	2	
4-40	17900025800	CORD,STOP	1	
4-42	99350012002	RING,STOP,C-12 EX	1	
4-43	1120706081	CASE,FAN	1	
4-47	5990098021	CUSHION,RUBBER	1	
4-52	3600099020	HOLDER,PIPE	1	
4-55	3610099020	FITTING,METAL	1	
4-56	99051050163	BOLT,HEX,5X16	1	
4-57	99201050061	WASHER,5	1	
4-58	2890706080	SHAFT,CLUTCH	1	
4-59	99461050254	BOLT,HEX HOLE,5X25S	1	
4-60	19805015800	CLAMP,CORD	1	
4-63	9410706020	STAND	1	
4-64	3243735020	WASHER,GEAR CASE	1	
4-65	99073045124	SCREW,TAPPING,4.5X12	2	
4-98	99451050204	SCREW,5X20S	2	
4-99	99200050061	WASHER,SMALL,5	2	

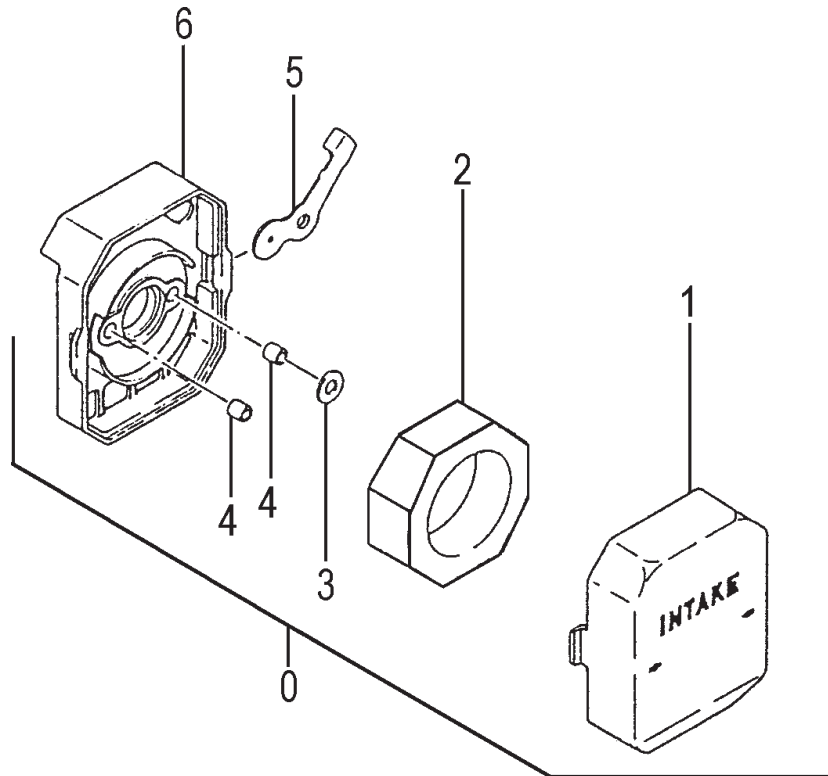


748733

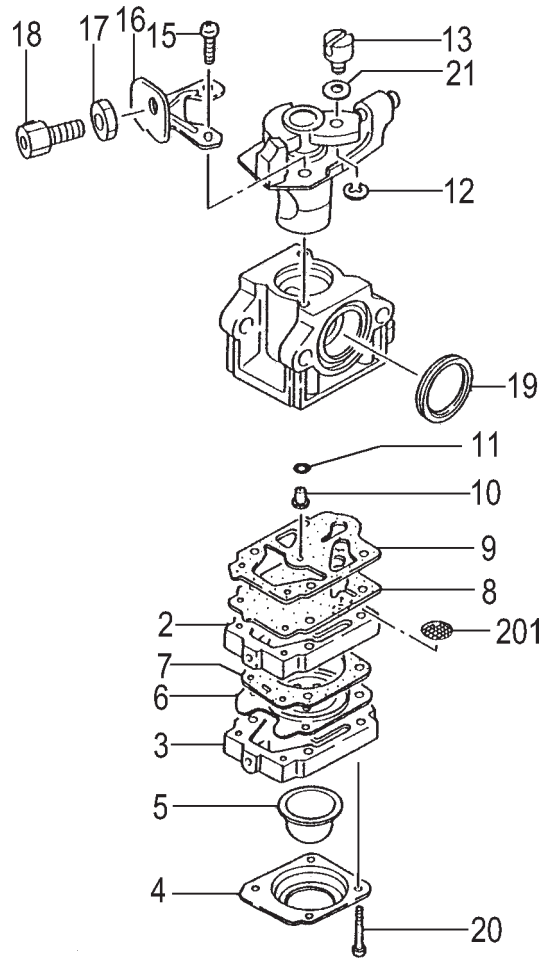


Consider ordering the 748733, S-Start Kit if you are replacing the starter assy. It decreases the pull-effort by 60%. They are dependable and easy to install.

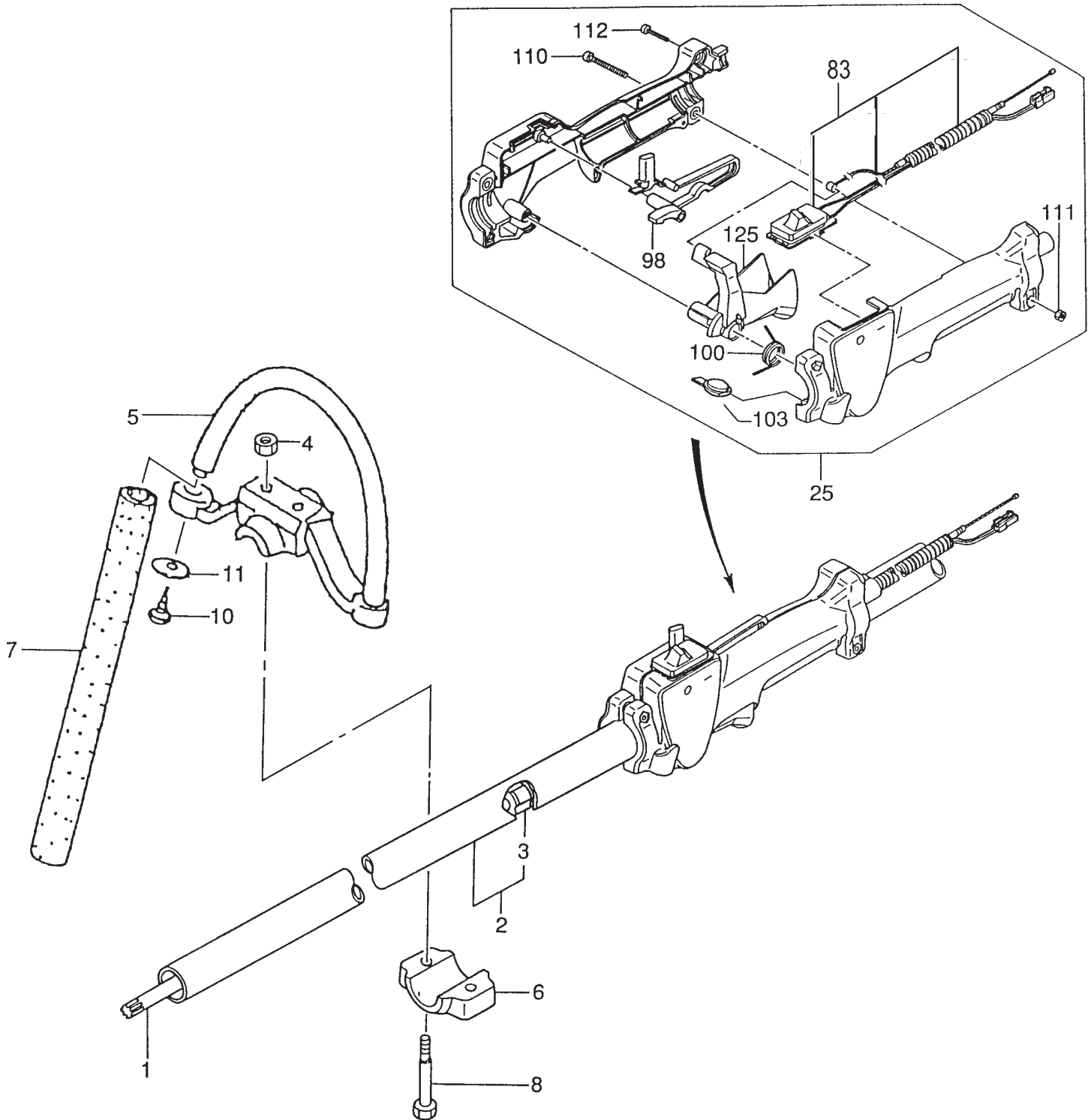
ITEM	PART NUMBER	DESCRIPTION	QTY	COMMENTS
5-0	7620706090	STARTER,RECOIL ASS'Y	1	
5-2	7790706020	SPRING,RECOIL	1	
5-3	7740706020	PULLEY,STARTER	1	
5-5	8390706020	BOLT,SET	1	
5-6	7800706020	GUIDE,ROPE	1	
5-7	7830706020	ROPE,STARTER	1	
5-8	7850706020	HANDLE,STARTER	1	
5-9	99200050061	WASHER,SMALL,5	2	
5-10	99461050204	BOLT,HEX,HOLE,5X20,S	2	



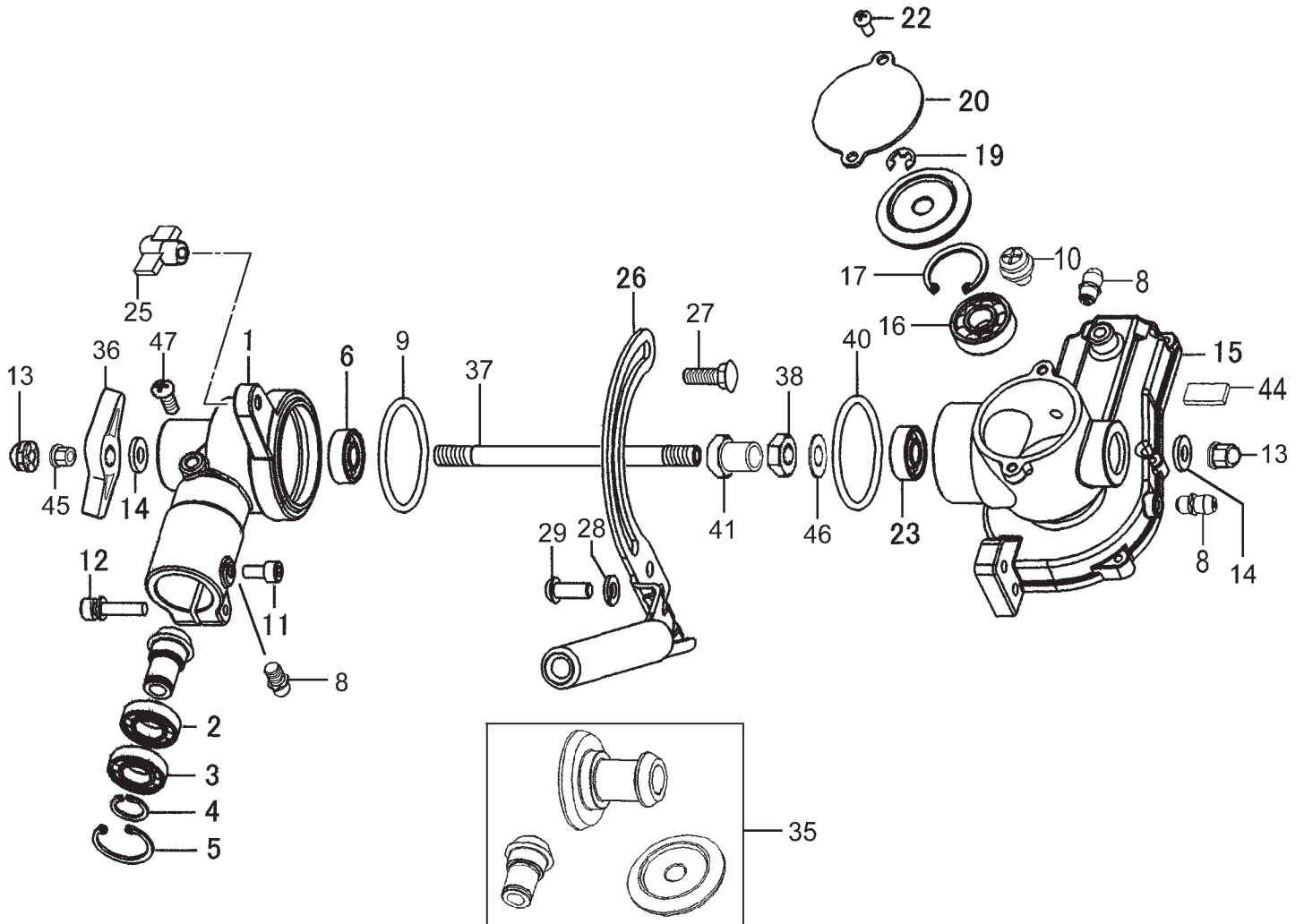
ITEM	PART NUMBER	DESCRIPTION	QTY	COMMENTS
6-0	4100650D90	AIR CLEANER ASSY	1	
6-1	4240602K201	CAP, CLEANER	1	
6-2	4460602K200	ELEMENT, CLEANER	1	
6-3	4530602K200	COLLAR	1	
6-4	47000025200	COLLAR	2	
6-5	5280635A200	PLATE, CHOKE	1	
6-6	4230072Z81	BODY, CLEANER	1	



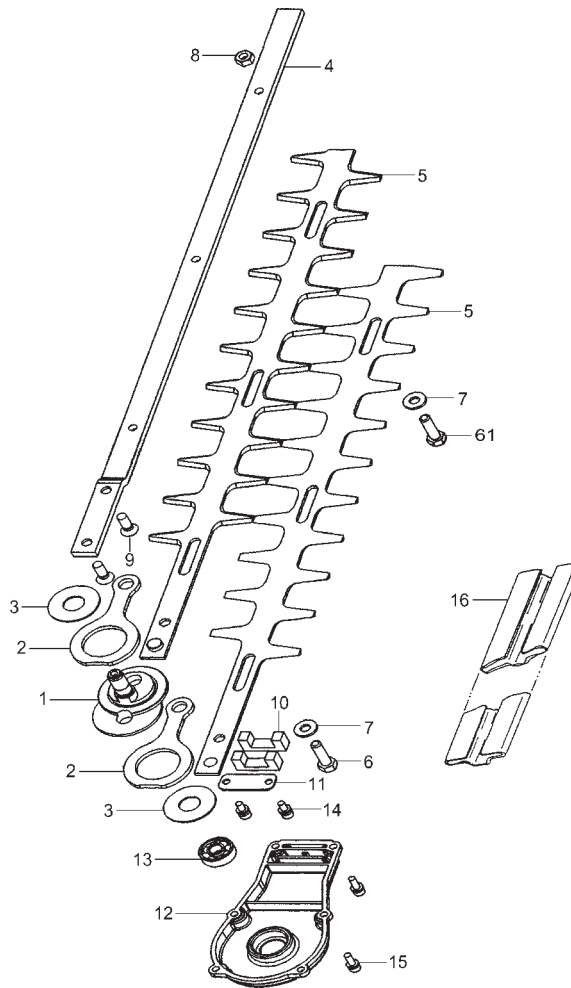
ITEM	PART NUMBER	DESCRIPTION	QTY	COMMENTS
	4550706090	SET,CARBURETOR	1	Includes carburetor gasket
7-2	5752515380	BODY,PUMP	1	
7-3	4422515180	PUMP,PRIMING	1	Carburetor Repair Kit - 650-25124-900
7-4	4762515120	COVER,DIAPHRAGM	1	Gasket/Diaphragm Kit - 652-25124-900
7-5	44725108200	BULB,PRIMING	1	
7-6	~ ~ ~	DIAPHRAGM	1	
7-7	~ ~ ~	GASKET,DIAPHRAGM	1	~ Contained in Carb Kits
7-8	~ ~ ~	DIAPHRAGM,PUMP	1	
7-9	~ ~ ~	GASKET,PUMP	1	
7-10	5992000W430	JET,MAIN,#43	1	
7-11	55025100200	O-RING	1	
7-12	48925100200	RING,STOP	1	
7-13	53925120200	SWIVEL	1	
7-15	51425100200	SCREW,THROTTLE SET	2	
7-16	54425164200	STAY,ADJUST,CABLE	2	
7-17	99101060013	NUT,6	1	
7-18	61425137200	ADJUSTER,CABLE	1	
7-19	4310634C200	GASKET,CLEANER	1	
7-20	5482515120	SCREW,SET	4	
7-21	5492516520	WASHER,THRUST	1	
7-201	57825007200	SCREEN,INLET	1	



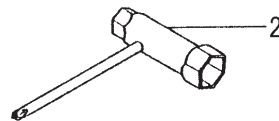
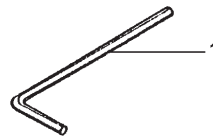
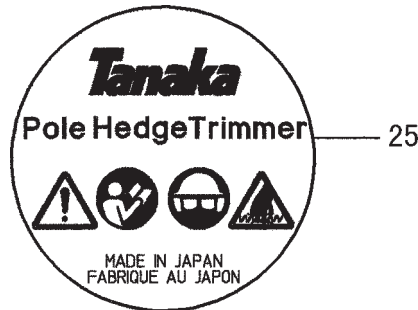
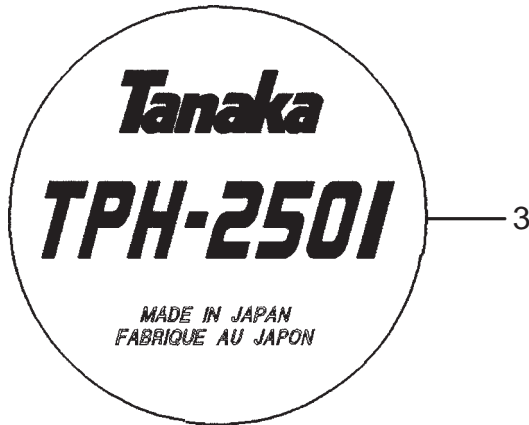
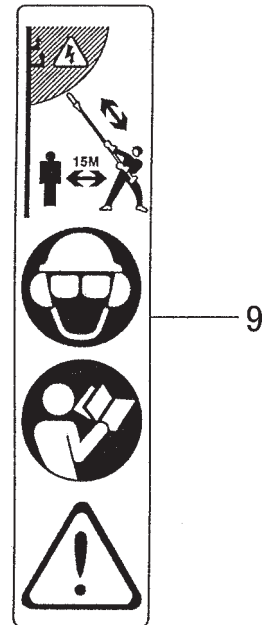
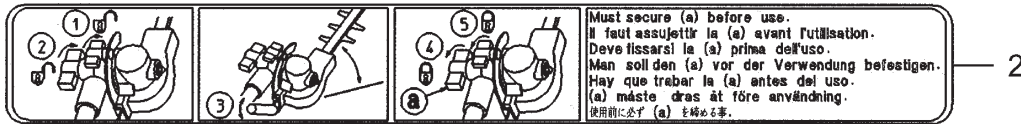
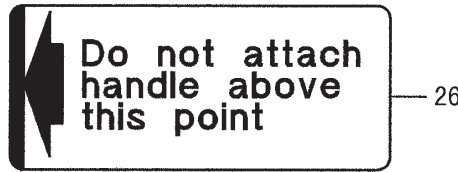
ITEM	PART NUMBER	DESCRIPTION	QTY	COMMENTS
8-1	3433761820	SHAFT,DRIVE 1483mm	1	
8-2	3413762381	PIPE,DRIVE SHAFT	1	
8-3	34737601900	BUSHING	5	
8-4	99101060041	NUT,6	2	
8-5	5003728620	HANDLE	1	
8-6	50637300200	BRACKET,HANDLE,A	1	
8-7	5033738E20	GRIP,HANDLE	1	
8-8	99023060351	BOLT,6X35 PLUS	2	
8-10	99311052012	SCREW,TAPPING 5X20	1	
8-11	36832350200	WASHER,BRAKE SHAFT	1	
8-25	8703840290	LEVER,THROTTLE ASS'Y	1	
8-83	8853840080	WIRE,THROTTLE W/SWITCH	1	
8-98	2533840020	LEVER,SAFETY	1	
8-100	8323840020	SPRING,RETURN	1	
8-103	3223840020	GROMMET	1	
8-110	99431050203	SCREW 5X20	2	
8-111	99101050043	NUT,5	2	
8-112	9934604020	SCREW, 4X20	4	
8-125	8803840020	LEVER,THROTTLE	1	



ITEM	PART NUMBER	DESCRIPTION	QTY	COMMENTS
9-1	3003228021	CASE, GEAR, A	1	
9-2	99961690100	BEARING, BALL, #6901	1	
9-3	99961690101	BEARING, BALL, #6901ZZ	1	
9-4	99352012002	RING, STOP, S12, OUTER	1	
9-5	99351024002	RING, STOP, C-24, IN	1	
9-6	99961608002	BEARING, BALL, #608Z	1	
9-8	30032250801	FITTING, GREASE	3	
9-9	99967041000	O-RING, P-41	1	
9-10	99413060101	SCREW, PLUS, 6x10P	1	
9-11	99051050103	BOLT, HEX. HOLE, 5X10	1	
9-12	99461050224	BOLT, HEX HOLE 5x22/S	1	
9-13	99144080022	NUT, FLANGE 8	2	
9-14	0273180020	WASHER	2	
9-15	3013228025	CASE, GEAR B	1	
9-16	99961600004	BEARING, BALL, #6000DD	1	
9-17	99351026002	RING, STOP, IN, C-26	1	
9-19	99355060000	RING, STOP, E6	1	
9-20	3273228020	COVER, GEAR CASE A	1	
9-22	99011040081	SCREW, 4X8	2	
9-23	99961608002	BEARING, BALL, #608Z	1	
9-25	5123228580	KNOB, HANDLE	1	
9-26	0333228081	GUIDE, SLIDE	1	
9-27	1963228520	BOLT, SPECIAL	1	
9-28	99210060062	WASHER, S, 6	2	
9-29	99053060153	BOLT, HEX, 6X15	2	
9-35	3023228200	SET, GEAR, PINION	1	
9-36	5123229820	KNOB, HANDLE	1	
9-37	3053228221	SHAFT, GEAR	1	
9-38	99101080011	NUT, 8	1	
9-40	0713228221	SHIM	1	
9-40	0713228222	SHIM	1	
9-40	0713228223	SHIM	1	
9-41	0963228520	COLLAR	1	
9-44	0863228620	SEAL, GREASE, B	1	
9-45	12132530200	NUT, CLAMP, BAR	1	
9-46	99201100011	WASHER, 10	1	
9-47	99431060081	SCREW, 6X8	1	



ITEM	PART NUMBER	DESCRIPTION	QTY	COMMENTS
10-1	1003228021	SHAFT,CAM	1	
10-2	1013316022	ROD,CAM	2	
10-3	0753228020	PLATE,GUIDE	2	
10-4	1223316021	GUIDE,CUTTER 625MM	1	~A290200
10-4	1223228621	GUIDE,CUTTER	1	A290201~
10-5	1203228721	BLADE,A,DS,22"	2	
10-6	1243320221	BOLT,CUTTER FIXING,A	4	~A290200
10-6	1243228720	BOLT,FIXING,A	1	A290201~
10-7	12933202201	WASHER,7	4	
10-8	1233317A200	NUT,CUTTER FIXING	4	~A290200
10-8	40927	FLANGE,NUT,M6	4	A290201~
10-9	99052060165	BOLT,HEX,6X16	2	
10-10	08533160200	SEAL,GREASE A	2	
10-11	1053228020	HOLDING,PLATE	1	
10-12	3283228022	COVER,GEAR CASE	1	
10-13	99961608004	BEARING,BALL,608DD	1	
10-14	99461040104	BOLT,HEX,4X10,S	2	
10-15	99461040124	BOLT,HEX 4X12	6	
10-16	13833160200	COVER,CUTTER,22"	1	
10-61	1253228720	BOLT,CUTTER FIXING,B	3	A290201~



ITEM	PART NUMBER	DESCRIPTION	QTY	COMMENTS
11-1	81320000200	WRENCH,HEX,4	1	
11-2	03629331501	SPANNER,COMBI	1	
11-3	9060706220	DECAL,MODEL TPH-2501	1	
11-4	9233370020	DECAL,LEVEL	1	
11-5	91505015200	DECAL,SYMBOL	1	
11-9	9073230420	DECAL	1	
11-10	9203228521	DECAL,CAUTION B	1	
11-25	9193229020	DECAL,A	1	
11-26	9233738F20	DECAL,LEVEL	1	

Date: January, 2002

Model & Serial: All THT, HTD, HTS, TPH hedgetrimmer models.

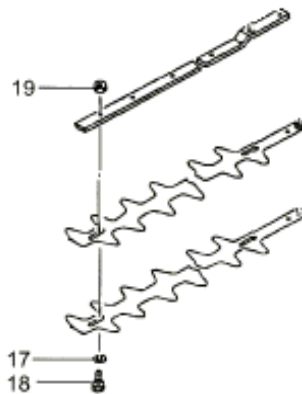
All units after serial number Y004401

Reason: All future production of hedgetrimmer models will utilize a blade-retaining nut that is of the locking variety. These nuts are oblong on one side to prevent loosening during use, but can be removed and re-installed without losing their locking ability.

When adjusting blade-fastening hardware, thread the bolt (18) through the blades and guide bar from the bottom, to a point where the flat washer (17), is still able to rotate, (usually to seat, and then backed off between ¼ and ½ revolution). Then install the lock nuts on the topside, tightening them while holding the bolt in place. Tighten all nuts, and then re-check for adjustment prior to operation. A lubricating agent, such as WD-40 should also be used to prevent sap build-up and premature wear.

Part Number Changes:

Old Part #	New Part #	Description	Remarks
123-33202-200	123-3317A-20	Lock Nut	Reference #19



S · START KIT

Order Number

A --- TBC2501/D, TPH2501, TPS-2501, TPE2501

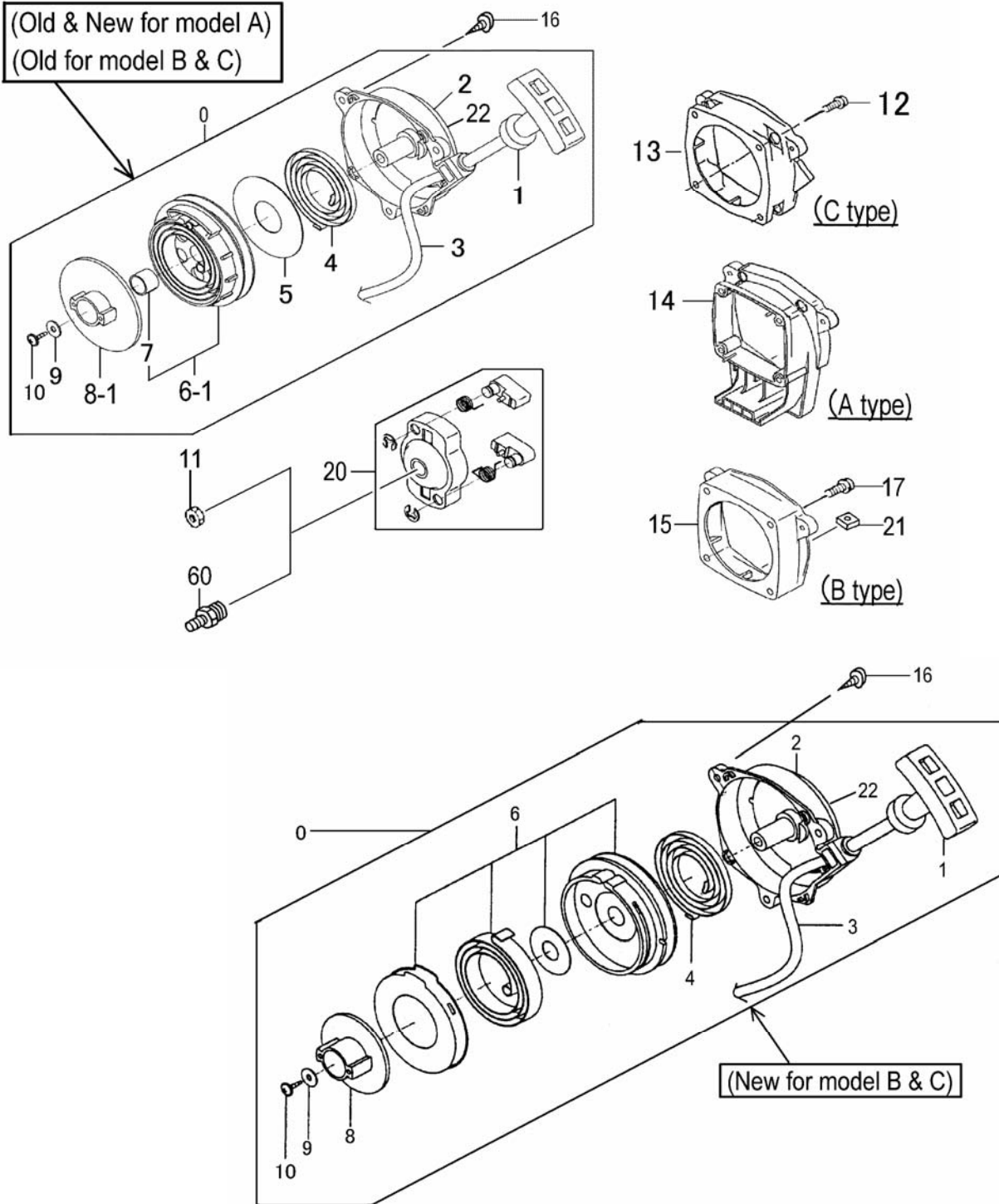
748733

B --- TBC230/230B/230D

748744

C --- TBC290/290D/340/340D

748732



S-Start Parts Information

REF. NUMBER	PART NUMBER	DESCRIPTION	Q'TY		
			A	B	C
	756-07075-00	S·START KIT (TBC2501)	1		
	756-07120-00	S·START KIT (TBC230)		1	
	756-07027-00	S·START KIT (TBC290)			1
000	762-07075-90	RECOIL STARTER BODY ASS'Y	1		
000	762-07085-90	RECOIL STARTER BODY ASS'Y		1	
000	762-07027-90	RECOIL STARTER BODY ASS'Y			1
001	785-07085-20	STARTER HANDLE	1	1	1
002	772-07085-80	RECOIL STARTER BODY COMP,	1	1	1
003	783-07085-20	RECOIL ROPE	1	1	1
004	780-07085-20	RECOIL SPRING	1	1	1
005	786-07085-20	SPRING PLATE	1	1	1
006,1	778-07027-90	RECOIL SPRING CASE ASS'Y	1		1
006,1	778-07085-90	RECOIL SPRING CASE ASS'Y		1	
006,1	778-07075-90	RECOIL SPRING CASE ASS'Y	1		
006	778-07085-91	SORING CASE ASS'Y		1	1
007	328-07085-20	STARTER BUSH	1	1	1
008,1	774-07075-20	STARTER PULLEY	1		
008,1	774-07085-20	STARTER PULLEY		1	
008,1	774-07027-20	STARTER PULLEY			1
008	774-07085-21	STARTER PULLEY		1	
009	182-07085-20	SPECIAL WASHER 5.2X15	1	1	1
010	990-72050-144	TAPPING SCREW 5X14	1	1	1
011	991-01080-011	HEX. NUT 8			1
012	994-64040-185	HEX. HOLE BOLT 4X18WS			4
013	806-07027-20	STARTER BASE			1
014	806-07070-20	STARTER BASE	1		
015	806-07120-20	STARTER BASE		1	
016	990-73045-144	TAPPING SCREW 4.5X14	3	3	3
017	994-64040-125	HEX. HOLE BOLT 4X12WS		4	
020	798-07085-90	STARTER PULLEY ASS'Y	1	1	1
021	991-91050-001	SQUARE NUT 5		1	
022	915-07078-20	STARTER MARK (S·START)	1	1	1
060	314-07070-20	SPECIAL BOLT	1		