

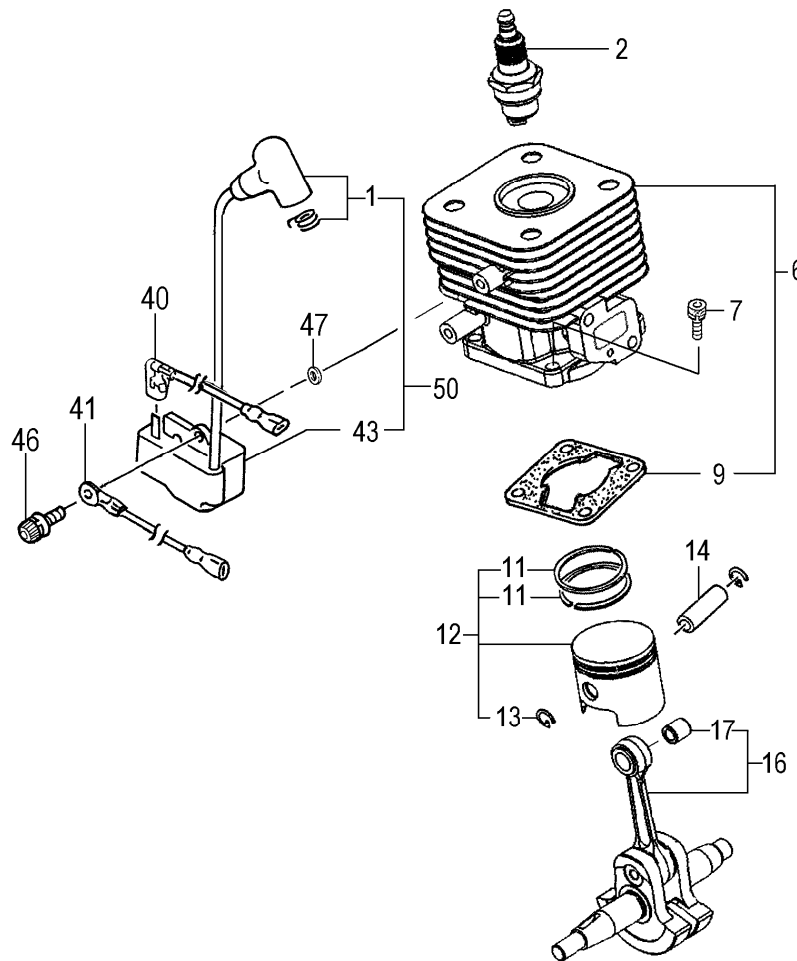
**B62**

***Tanaka***

**TBC-255SF**

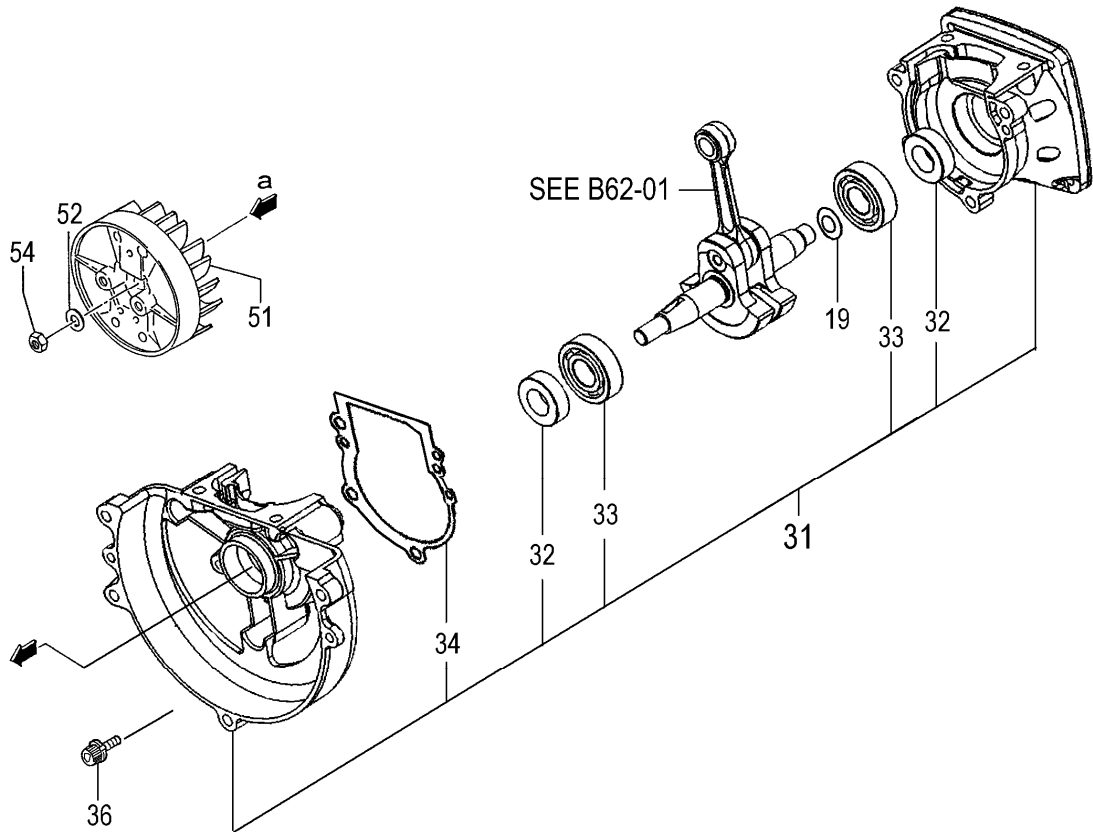
**Serial No. ;**

# B62-01 CYLINDER/PISTON/CRANK SHAFT



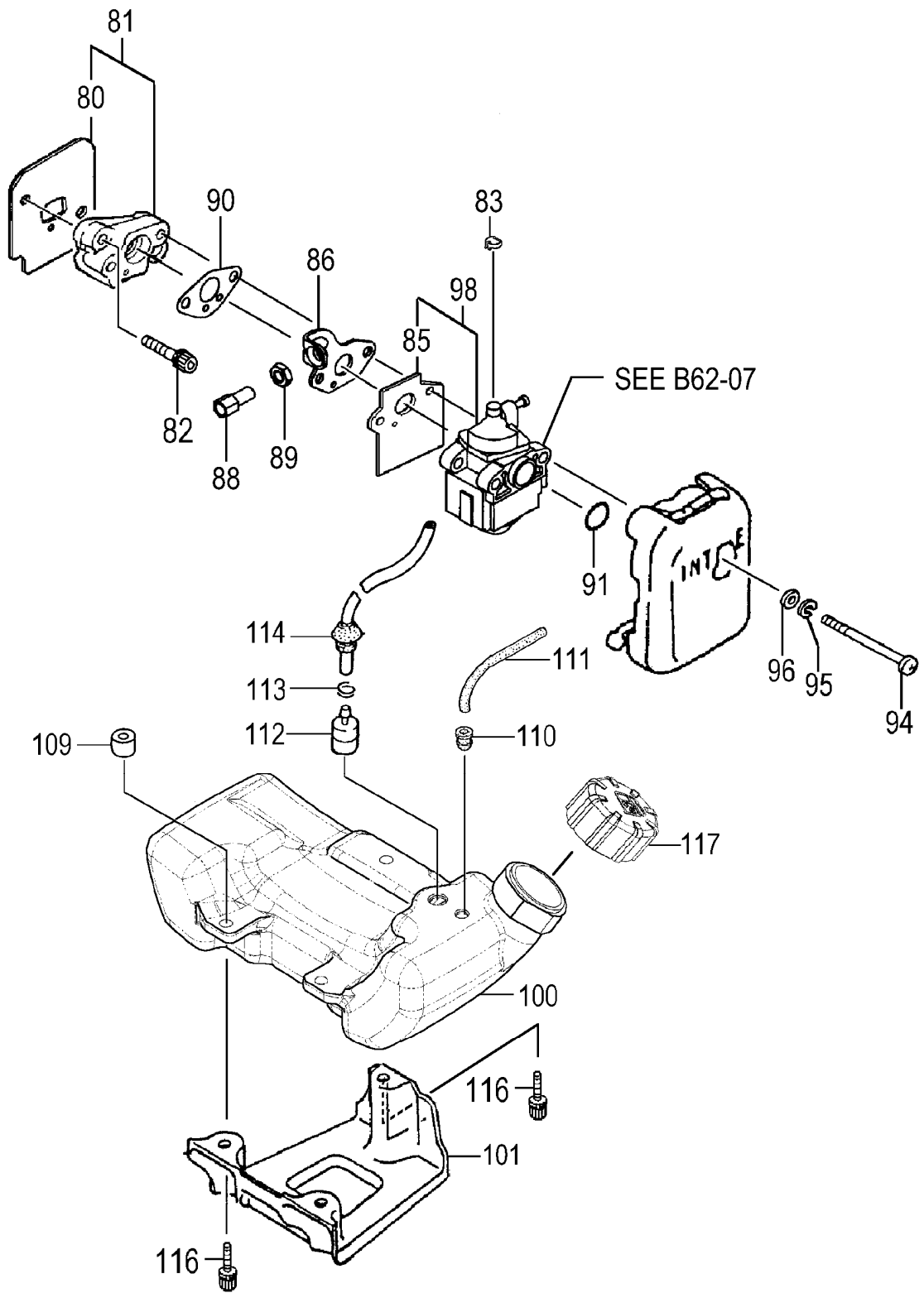
REF. NUMBER	PARTS NUMBER	DESCRIPTION	Q'TY	SERIAL NUMBER
<b>B62-01 CYLINDER/PISTON/CRANK SHAFT</b>				
001	668-4894	PLUG CAP ASS'Y	1	
002	668-5052	SPARK PLUG CJ6	1	
006	668-4897	CYLINDER SET	1	
007	668-4586	HEX.HOLE BOLT M5X18/S	4	
009	668-4896	CYLINDER GASKET	1	
011	668-4588	PISTON RING	2	
012	668-4898	PISTON SET	1	
013	668-4590	PISTON PIN CIRCLIP	2	
014	668-4591	PISTON PIN	1	
016	668-6219	CRANK SHAFT COMP.	1	
017	669-5589	NEEDLE BRG F-810 1.4X8.5	1	
040	668-7836	STOP CORD B 190M	1	
041	668-8443	EARTH CORD B 165M	1	
043	668-7683	IGNITION COIL COMP.	1	
046	668-4599	HEX.HOLE BOLT M4X18/WS	2	
047	668-4600	WASHER	2	
050	668-7684	IGNITION COIL ASSY	1	

# B62-02 CRANK CASE



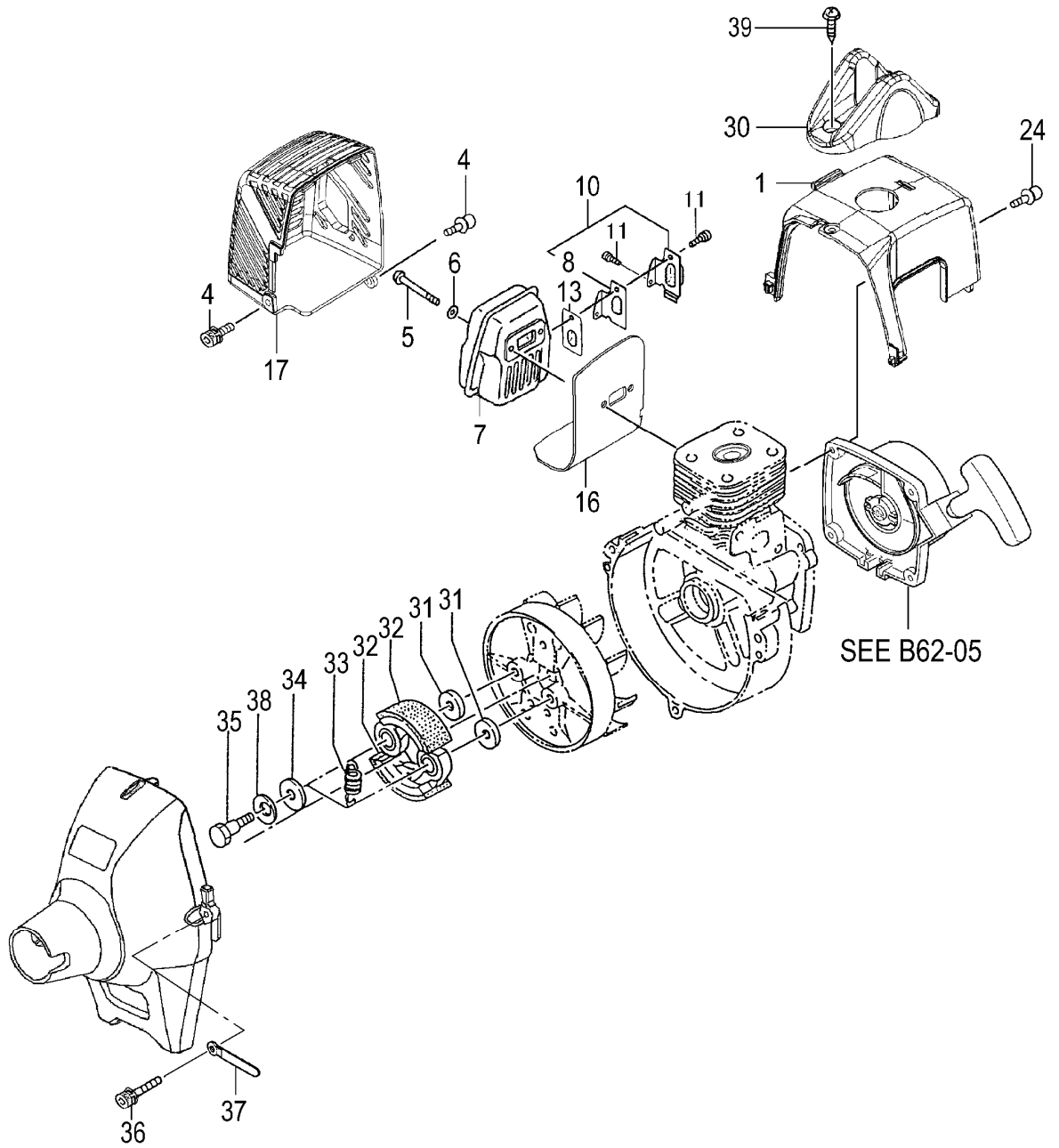
REF. NUMBER	PARTS NUMBER	DESCRIPTION	Q'TY	SERIAL NUMBER
<b>B62-02 CRANK CASE</b>				
019	668-4604	GEAR SHAFT SHIM 0.20	V	
019	668-4605	GEAR SHAFT SHIM 0.30	V	
031	669-5700	CRANK CASE ASS'Y	1	
032	668-4607	OIL SEAL TB 12227	2	
033	669-5535	BALL BEARING 6001 C3	2	
034	668-4904	CRANK CASE GASKET	1	
036	668-4903	HEX.HOLE BOLT M5X16/S	4	
051	668-7384	MAGNETO ROTOR COMP.	1	
052	668-4611	WASHER M8	1	
054	668-4612	HEX.NUT M8	1	

# B62-03 ENGINE-1



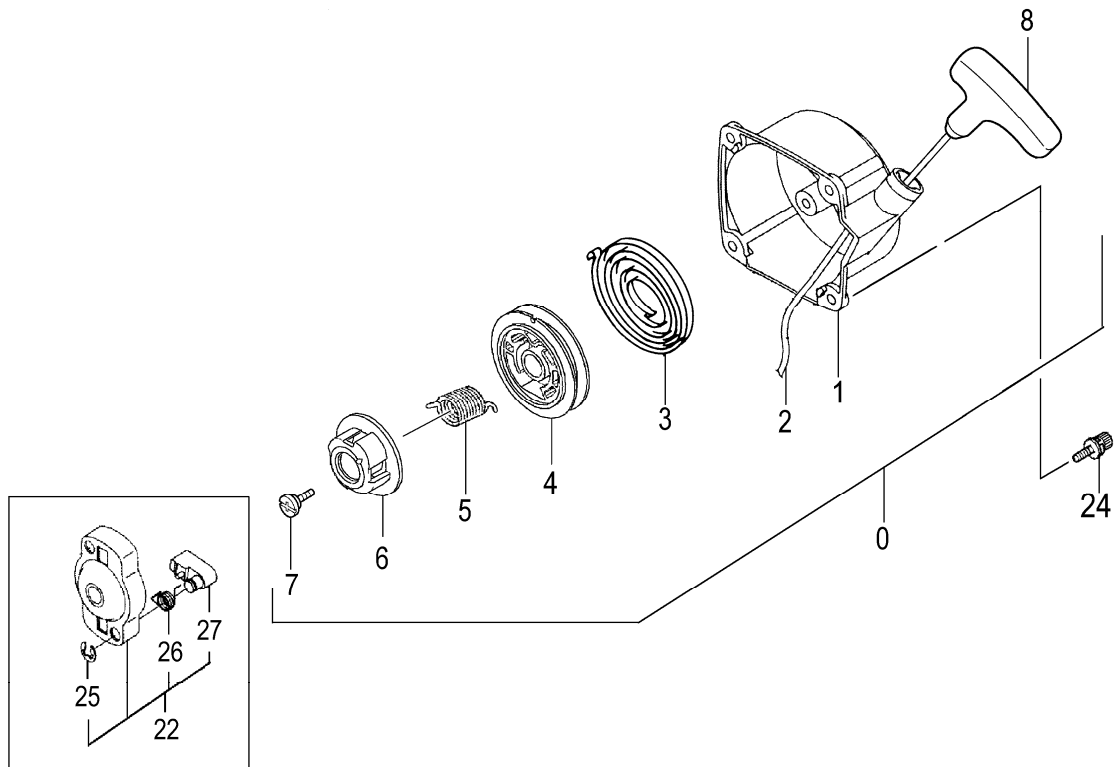
REF. NUMBER	PARTS NUMBER	DESCRIPTION	Q'TY	SERIAL NUMBER
<b>B62-03</b>	<b>ENGINE-1</b>			
080	668-9895	INLET MANIFOLD GASKET	1	
081	668-9972	INSULATOR SET	1	
082	668-4617	HEX. HOLE BOLT 5X25/WS	2	
083	668-4628	SWIVEL CAP	1	
085	668-4616	CARBURETOR GASKET	1	
086	668-4629	THROTTLE WIRE FIXING PLATE	1	
088	668-4871	CABLE ADJUSTER	1	
089	668-4872	LOCK NUT M6	1	
090	668-4615	CARBURETOR GASKET	1	
091	669-5670	O-RING P-15	1	
094	668-4660	SCREW M5X60	2	
095	668-4662	S.WASHER 5	2	
096	668-4661	WASHER 5	2	
098	669-0466	CARBURETOR SET WYL222	1	
100	669-1605	TANK(EVAPO)	1	
101	669-4787	STAND	1	
109	668-4623	COLLAR C	3	
110	668-4627	RETURN GROMMET	1	
111	668-4626	FUEL PIPE 3X5X65	1	
112	668-4620	PUMP FILTER BODY COMP.	1	
113	668-4619	CLIP,6.3 DIA.	1	
114	668-4618	FUEL PIPE ASS'Y	1	
116	668-4634	HEX.HOLE BOLT 5X20/PS	3	
117	669-1748	TANK CAP D ASS'Y	1	

# B62-04 ENGINE-2



REF. NUMBER	PARTS NUMBER	DESCRIPTION	Q'TY	SERIAL NUMBER
<b>B62-04</b>	<b>ENGINE-2</b>			
001	668-5693	CYLINDER COVER (BLK)	1	
004	669-5504	HEX.HOLE BOLT 5X16/PS	2	
005	669-5067	HEX.HOLE BOLT 6X65	2	
006	668-4639	WASHER 6	2	
007	669-2576	MUFFLER COMP.	1	
008	669-2888	TAIL PIPE GASKET	1	
010	669-2715	TAIL PIPE SET	1	
011	668-4651	SCREW M4X8/WS	2	
013	669-2701	SPARK ARRESTER	1	
016	668-7265	HEAT SHIELD	1	
017	669-2818	MUFFLER PROTECTOR BLK	1	
024	669-5508	HEX. HOLE BOLT 4X18WS	2	
030	668-8344	PLUG COVER	1	
031	668-4642	CLUTCH WASHER B	2	
032	668-4643	CLUTCH SHOE COMP.	2	
033	668-4644	CLUTCH SPRING	1	
034	668-4645	CLUTCH PLATE A 0.5	2	
035	668-4646	STEP BOLT	2	
036	668-4634	HEX.HOLE BOLT 5X20/PS	3	
037	668-8011	CORD CLAMP COMP.	1	
038	668-4648	BENT WASHER 8	2	
039	668-4636	TAPPING SCREW D4.5X16	1	

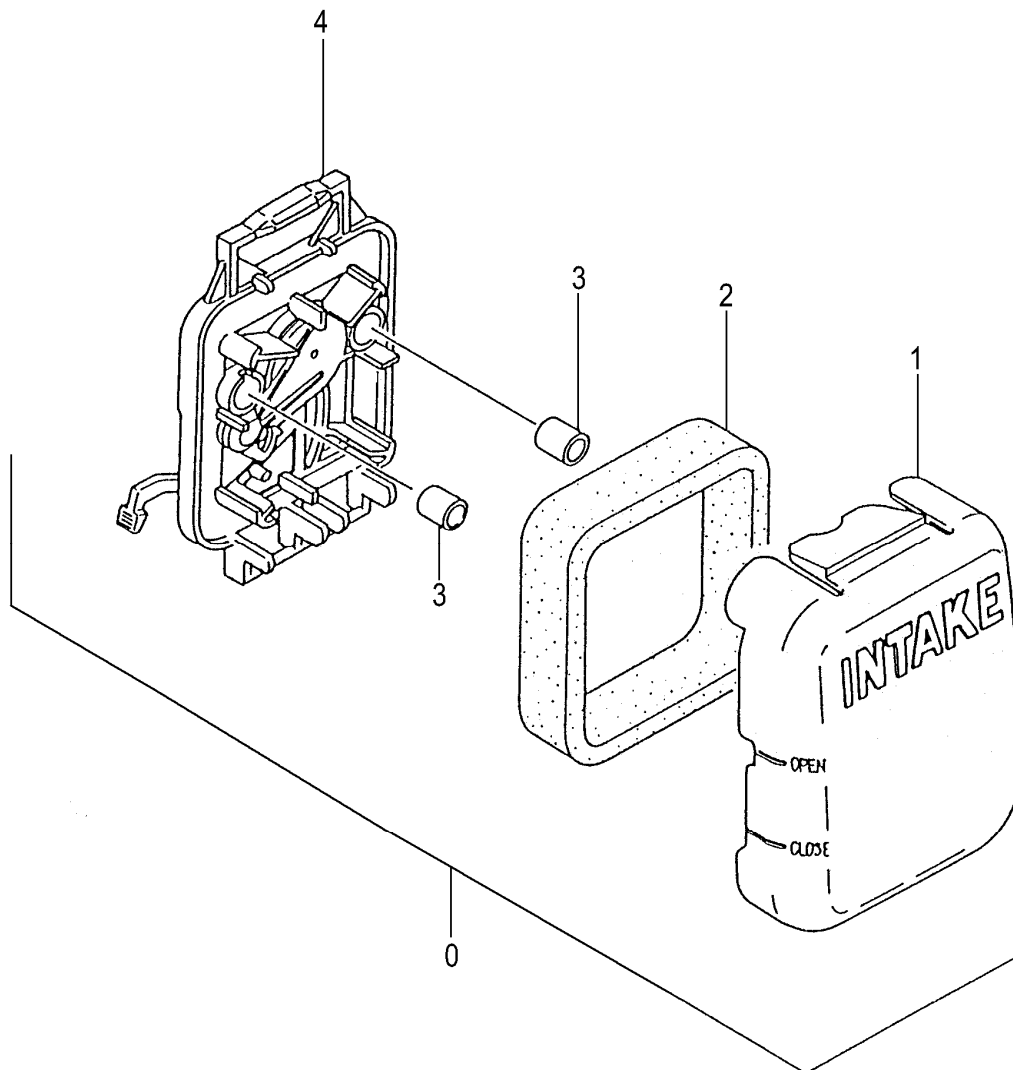
# B62-05 RECOIL STARTER



REF. NUMBER	PARTS NUMBER	DESCRIPTION	Q'TY	SERIAL NUMBER
<b>B62-05 RECOIL STARTER</b>				
000	668-4672	RECOIL STARTER BODY ASS'Y	1	
001	668-4673	RECOIL STARTER BODY COMP.	1	
002	668-4674	STARTER ROPE 3.5X860	1	
003	668-4675	RECOIL SPRING	1	
004	668-4676	STARTER ROPE REEL	1	
005	668-4677	DUMPER SPRING	1	
006	668-4678	CAM PLATE	1	
007	668-4679	SET SCREW	1	
008	668-4680	STARTER HANDLE	1	
022	668-4681	STARTER PULLEY ASS'Y	1	
024	669-5508	HEX. HOLE BOLT 4X18WS	2	
025	668-4683	STOP RING E-5	2	
026	668-4684	STARTER PAWL SPRING	2	
027	668-4685	STARTER PAWL	2	

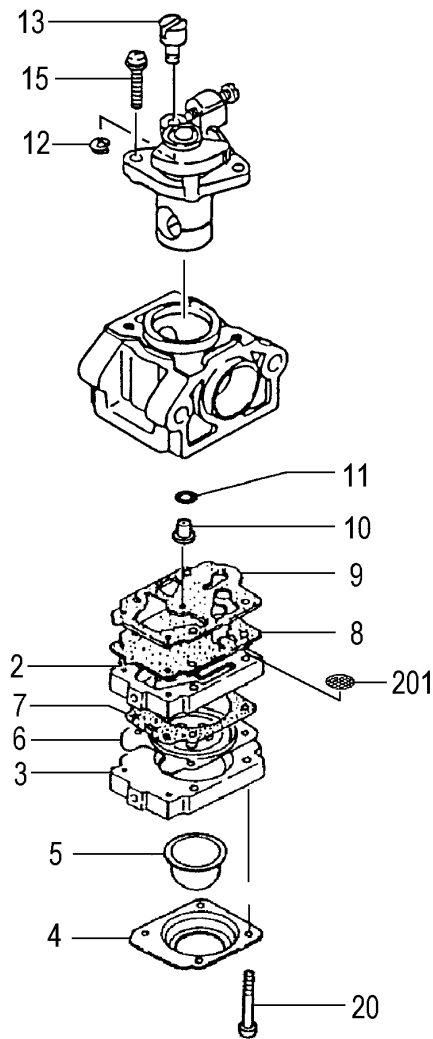


# B62-06 AIR CLEANER



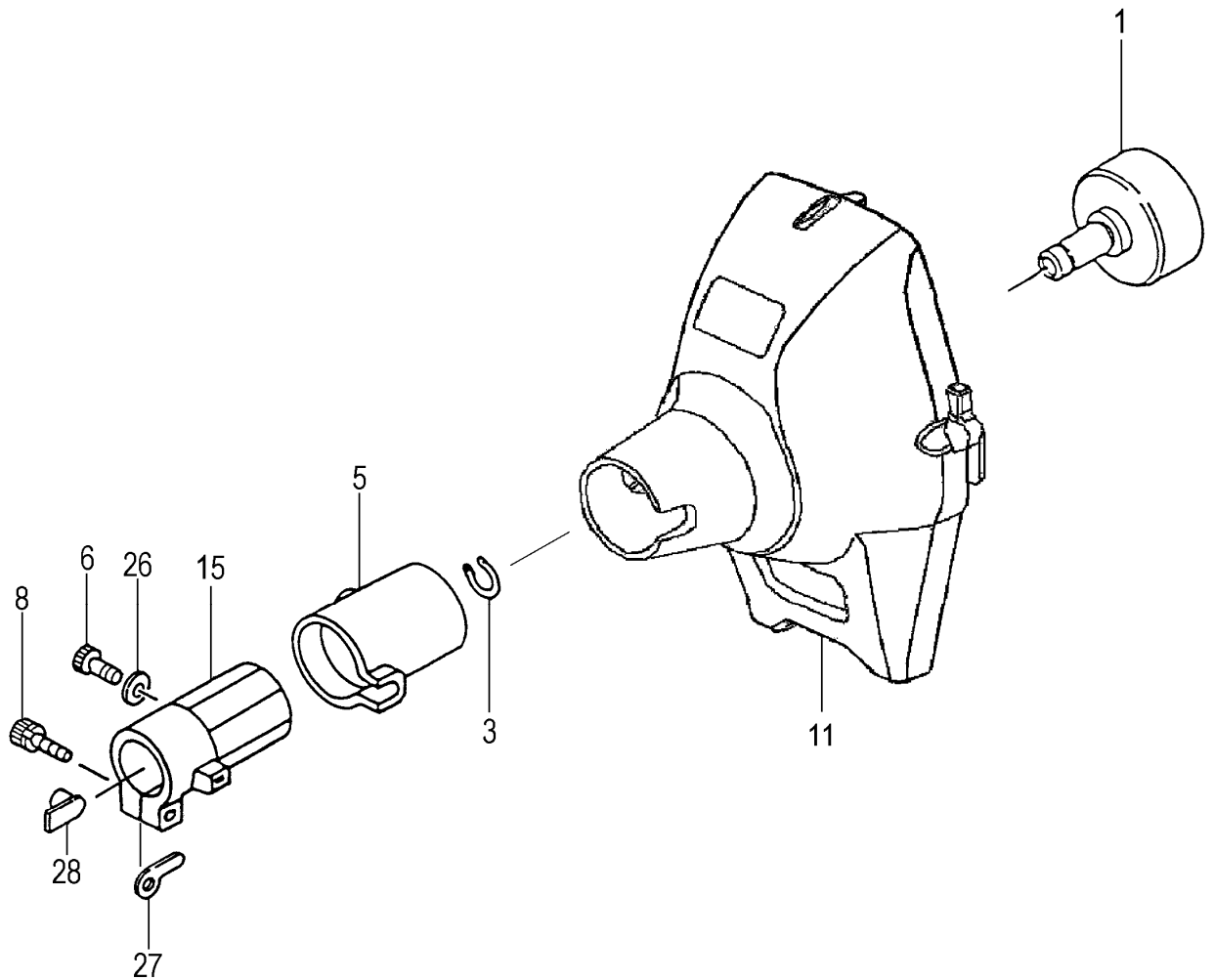
REF. NUMBER	PARTS NUMBER	DESCRIPTION	Q'TY	SERIAL NUMBER
<b>B62-06</b>	<b>AIR CLEANER</b>			
000	669-0005	AIR CLEANER ASS'Y	1	
001	669-0139	AIR CLEANER CAP	1	
002	669-0347	CLEANER ELEMENT	1	
003	669-0801	COLLAR	2	
004	669-0085	CLEANER BODY COMP.	1	

# B62-07 CARBURETOR



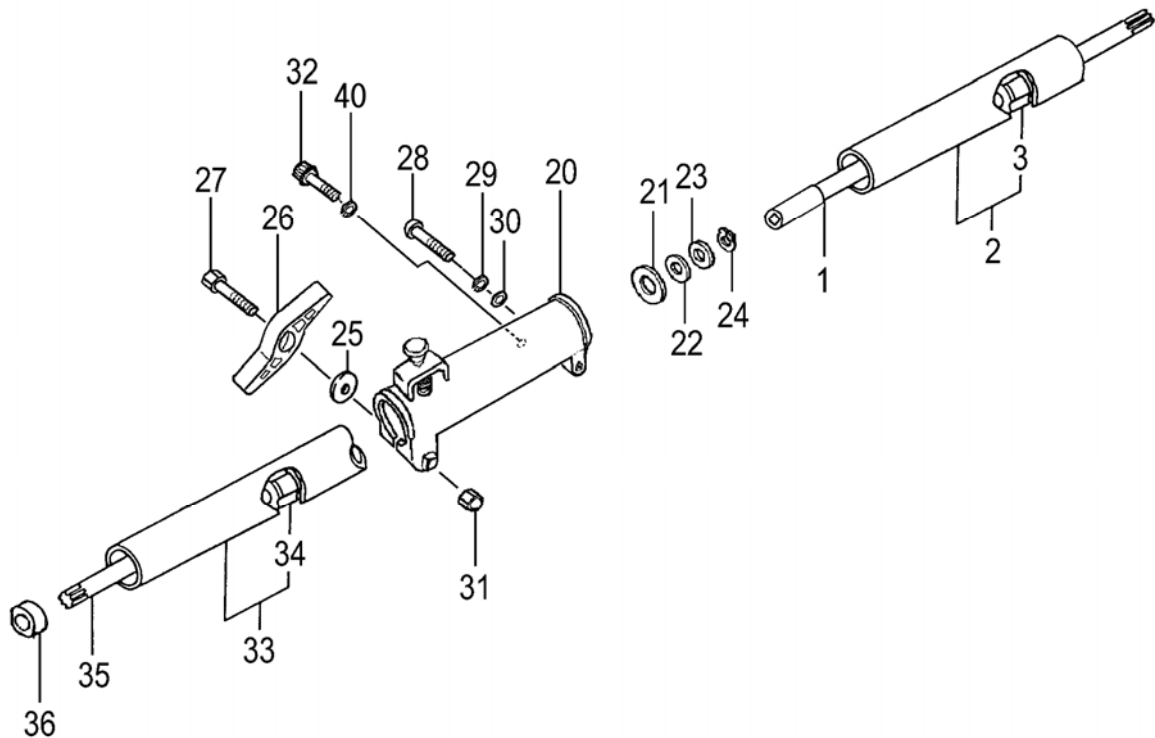
REF. NUMBER	PARTS NUMBER	DESCRIPTION	Q'TY	SERIAL NUMBER
<b>B62-07 CARBURETOR</b>				
002	668-4879	PUMP BODY COMP.	1	
003	668-4687	PRIMING PUMP COMP.	1	
004	668-4688	DIAPHRAGM COVER	1	
005	668-4689	PRIMING BODY	1	
006	669-0830	METERING DIAPHRAGM COMP.	1	
007	668-4691	DIAPHRAGM GASKET	1	
008	668-4693	PUMP DIAPHRAGM	1	
009	669-1457	PUMP GASKET	1	
010	669-1887	LONG MAIN JET #33.5	1	
011	668-4695	O-RING	1	
012	668-4696	STOP RING	1	
013	668-4697	SWIVEL	1	
015	668-4698	THROTTLE SET SCREW	2	
020	668-4699	SET SCREW	4	
201	668-4700	INLET SCREEN	1	
	669-2191	CARB. REPAIR KIT, K10-WYL	1	
	669-2200	GASKET/DIA. KIT,D10WYL	1	

# B62-08 FANCASE



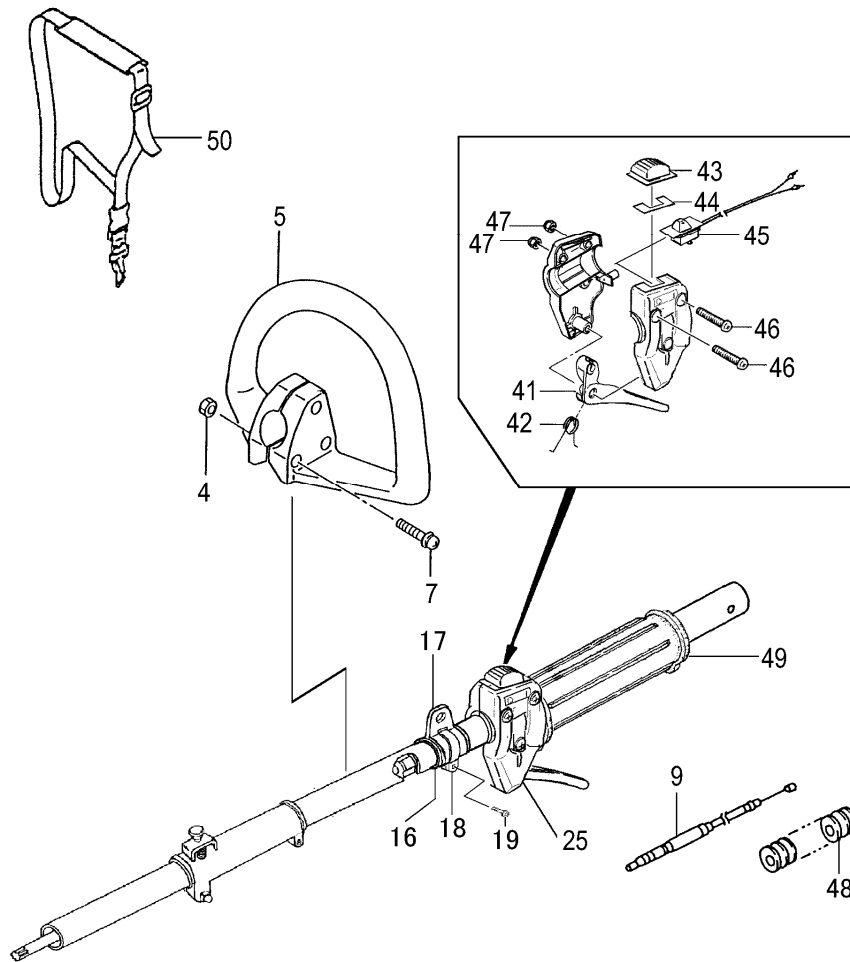
REF. NUMBER	PARTS NUMBER	DESCRIPTION	Q'TY	SERIAL NUMBER
<b>B62-08 FANCASE</b>				
001	668-8580	CLUTCH DRUM COMP.	1	
003	668-4664	STOP RING C-12 OUTER	1	
005	669-1823	CUSHION RUBBER	1	
006	669-5046	HEX. HOLE BOLT 5X16	1	
008	668-4709	HEX.HOLE BOLT M5X25/S	1	
011	668-6959	FAN CASE COMP.	1	
015	668-9651	PIPE HOLDER, TPE	1	
026	668-4918	WASHER M5	1	
027	668-9159	GEAR CASE WASHER	1	
028	668-9664	METAL FITTING	1	

# B62-09 OPERATION PIPE



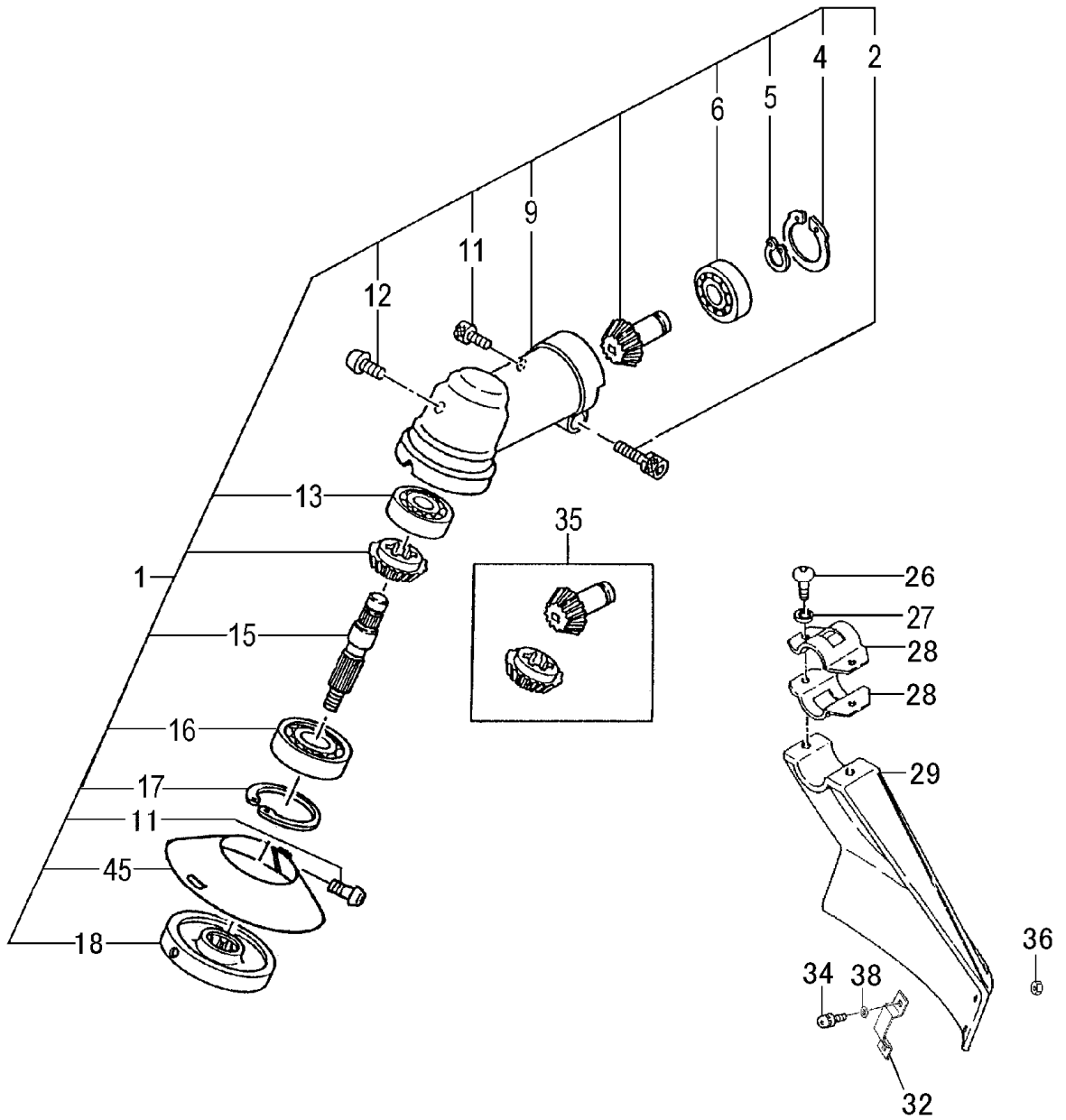
REF. NUMBER	PARTS NUMBER	DESCRIPTION	Q'TY	SERIAL NUMBER
<b>B62-09 OPERATION PIPE</b>				
001	668-4814	DRIVE SHAFT A	1	
002	668-9415	DRIVE SHAFT COMP 742L	1	
003	668-9509	BUSH ASS'Y	3	
020	668-4817	JOINT CASE	1	
021	668-4818	SPACER 1.6	1	
022	668-4819	SPACER	1	
023	668-4820	PULLEY WASHER	1	
024	668-4821	STOP RING C-10, OUTER	1	
025	668-4822	SPECIAL WASHER B	1	
026	668-4823	HANDLE KNOB	1	
027	668-4824	HEX. BOLT 6X50	1	
028	668-4825	HEX. SOCKET HD. BOLT (W/BUTTON	1	
029	668-4826	S. WASHER 6	1	
030	668-4827	SMALL WASHER 6 BLACK	1	
031	668-4828	CAP NUT 6	1	
032	668-4829	HEX. SOCKET HD. BOLT M5X12	1	
033	668-9415	DRIVE SHAFT COMP 742L	1	
034	668-9509	BUSH ASS'Y	3	
035	668-4832	DRIVE SHAFT B 783L	1	
036	668-4833	BUSHING	1	
040	668-4834	SPRING WASHER 5	1	

# B62-10 THROTTLE LEVER



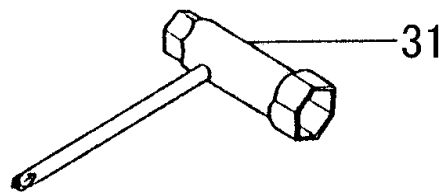
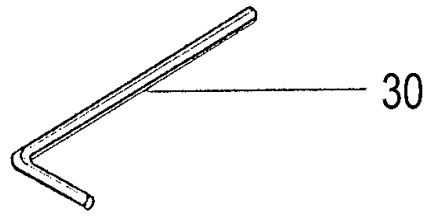
REF. NUMBER	PARTS NUMBER	DESCRIPTION	Q'TY	SERIAL NUMBER
<b>B62-10 THROTTLE LEVER</b>				
004	668-5075	NUT M5 (BLACK)	3	
005	669-1057	FRONT HANDLE 24	1	
007	668-4997	SCREW M5X30WS	3	
009	669-3977	THROTTLE WIRE 335+70	1	
016	668-9260	HANGER COLLAR	1	
017	668-9281	HANGER	1	
018	668-9294	HANGER FIXING BRACKET	1	
019	317-7751	MACHINE SCREW (W/WASHERS) M5	1	
025	669-3770	THROTTLE LEVER ASS'Y 24	1	
041	668-5006	THROTTLE LEVER	1	
042	668-4998	RETURN SPRING	1	
043	668-5009	STOP SWITCH	1	
044	668-5003	SWITCH MARK	1	
045	668-7462	STOP SWITCH COMP.	1	
046	668-5076	MACHINE SCREW M5X30	3	
047	668-4965	NUT M5	3	
048	668-5007	PROTECTION TUBE D7X170	1	
049	669-1183	SHAFT GRIP	1	
050	668-4839	SHOULDER BELT SINGLE	1	

# B62-11 GEAR CASE/GUARD



REF. NUMBER	PARTS NUMBER	DESCRIPTION	Q'TY	SERIAL NUMBER
<b>B62-11 GEAR CASE/GUARD</b>				
001	668-8819	GEAR CASE ASS'Y,24 DIA.	1	
002	668-4709	HEX.HOLE BOLT M5X25/S	1	
004	668-4732	STOP RING C-24,INNER	1	
005	669-5281	STOP RING C-9, OUTER	1	
006	668-4735	BALL BEARING 609Z ST	1	
009	668-8815	GEAR CASE 24	1	
011	669-5414	SCREW 5X12/W.S	2	
012	668-9109	OILING BOLT	1	
013	669-5567	BALL BEARING 626 , 19MM/OD	1	
015	668-8949	GEAR SHAFT	1	
016	669-5527	BALL BEARING 6000D, 26MM/OD	1	
017	669-5294	STOP RING C-26, INNER	1	
018	668-9033	CUTTER HOLDER	1	
026	668-5064	HEX. SOCKET HD. BOLT (W/BUTTON)	2	
027	668-4826	S.WASHER 6	2	
028	668-5065	SAFETY GUARD BRACKET	2	
029	668-5066	SAFETY COVER COMP.	1	
032	668-5067	KNIFE	1	
034	668-5068	MACHINE SCREW (W/SP. WASHER) M	2	
035	668-8883	GEAR/PINION SET	1	
036	668-5069	NUT M4	2	
038	668-5070	BOLT WASHER M4	2	
045	668-8917	GEAR CASE COVER	1	

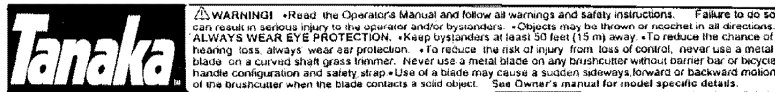
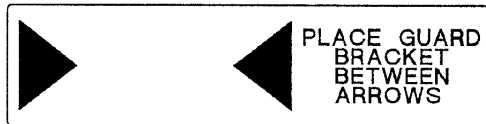
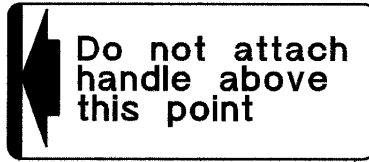
# B62-12 TOOLS



REF. NUMBER	PARTS NUMBER	DESCRIPTION	Q'TY	SERIAL NUMBER
<b>B62-12 TOOLS</b>				
030	668-4813	HEX. BAR WRENCH 4MM	1	
031	668-4979	COMBI BOX SPANNER 13X19 PLU	1	



# B62-13 LABELS



REF. NUMBER	PARTS NUMBER	DESCRIPTION	Q'TY	SERIAL NUMBER
<b>B62-13 LABELS</b>				
001	669-4472	S-START MARK	1	
002	669-4692	SYMBOL MARK TBC255SF	1	
004	668-4852	LEVEL MARK	1	
007	669-4741	SYMBOL MARK	1	
010	668-5056	CAUTION MARK	1	
011	669-4743	SYMBOL MARK SMART FIT	1	
018	668-5061	LEVEL MARK	1	
026	668-4851	LEVEL MARK	1	