

Tanaka Illustrated Parts Manual

Model Number:

748511 & 748512

24" & 36" Extension

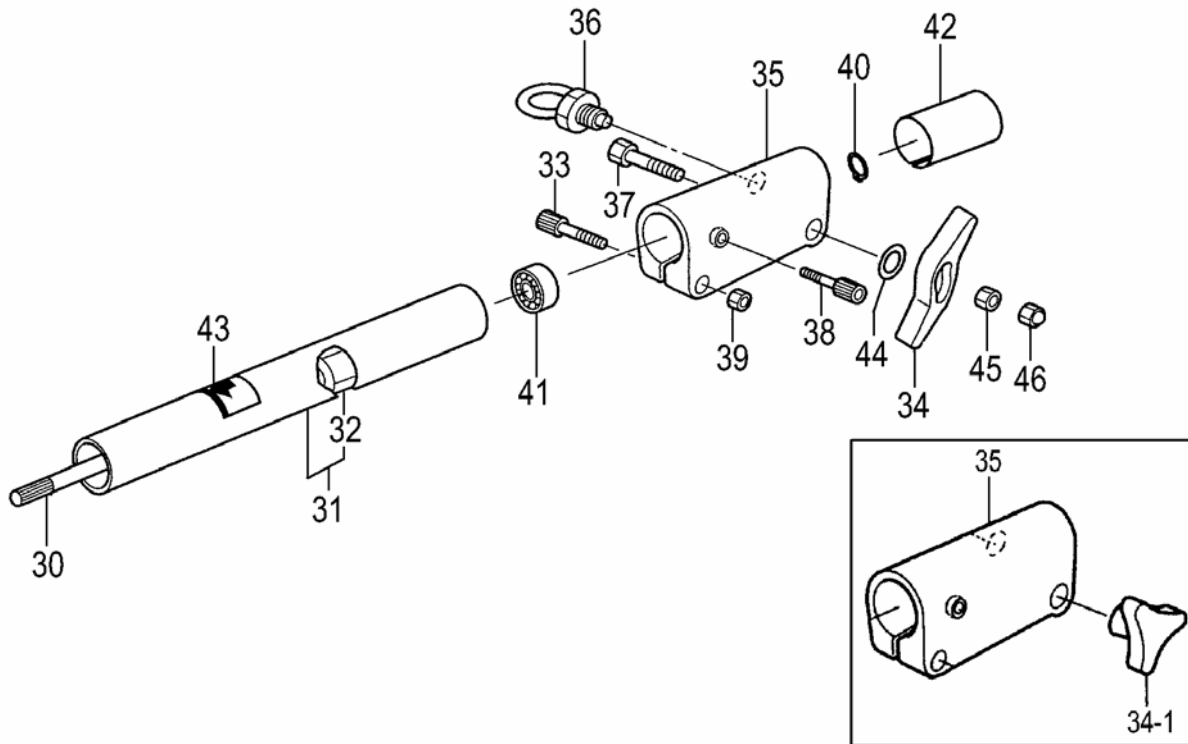
P/N n/a

Rev 000

Date 5-4-07



Nikko Tanaka Engineering U.S.A.,Ltd. • 1028 4th Street SW, Bldg B • Auburn, WA 98001 • Phone: (253) 333-1200 • Fax: (253) 333-1212



ITEM	PART NUMBER	DESCRIPTION	24"	36"	COMMENTS
30	3433233180	SHAFT,DRIVE	1		
30	3433003980	SHAFT,DRIVE		1	
31	3413230881	PIPE,DRIVE SHAFT	1		~9085369
31	3413230882	PIPE,DRIVE SHAFT	1		9085370~
31	3413003980	PIPE,DRIVE SHAFT		1	
32	3473730090	BUSHING ASSY	1		
32	3473730090	BUSHING ASSY		2	
33	99461050254	BOLT,HEX HOLE,5X25S	1	1	
34-1	5123370081	KNOB,HANDLE	1		~5004220
34	5123338P20	KNOB,HANDLE	1	1	5004221~
35	2803233122	COUPLING,TPS	1	1	
36	3523233180	PIN,LOCK	1	1	
37	99021060351	BOLT,6X35	1		~5004220
37	99021060504	BOLT,6X50	1	1	5004221~
38	99051050103	BOLT,HEX.HOLE,5X10	1	1	
39	99101050041	NUT,5	1	1	
40	99350010002	RING,STOP,C-10 EX	1	1	
41	99961690001	BEARING,BALL,#6900ZZ	1	1	
42	3483313020	COLLAR,B	1	1	
43	92337400200	DECAL,LEVEL	1	1	
44	3590210320	WASHER,CLUTCH,B	1	1	
45	99101060011	NUT,6	1	1	5004221~
46	99142060012	NUT,CAP 6	1	1	5004221~