

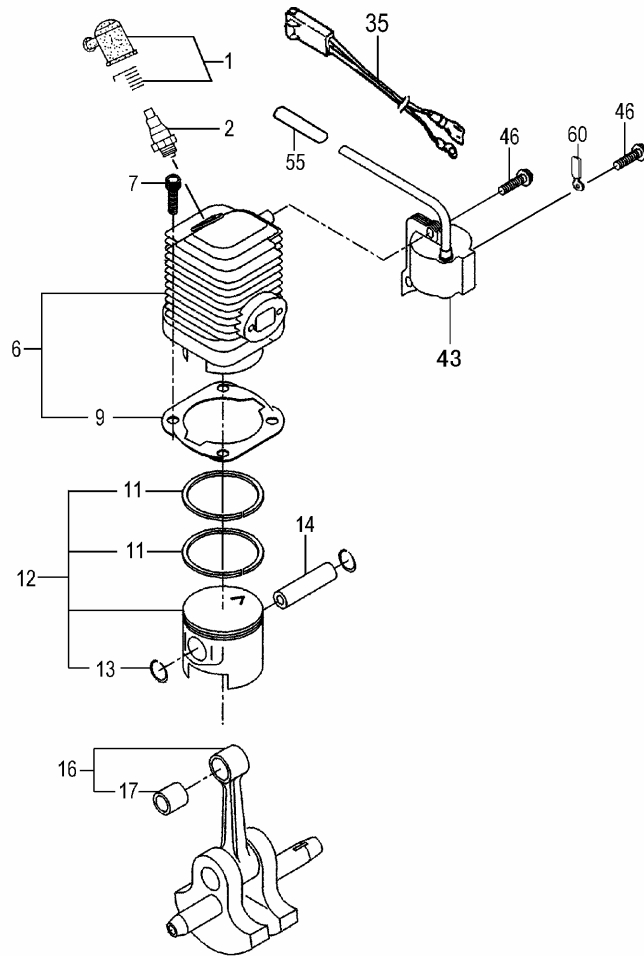
C19

Tanaka

TPS-2501

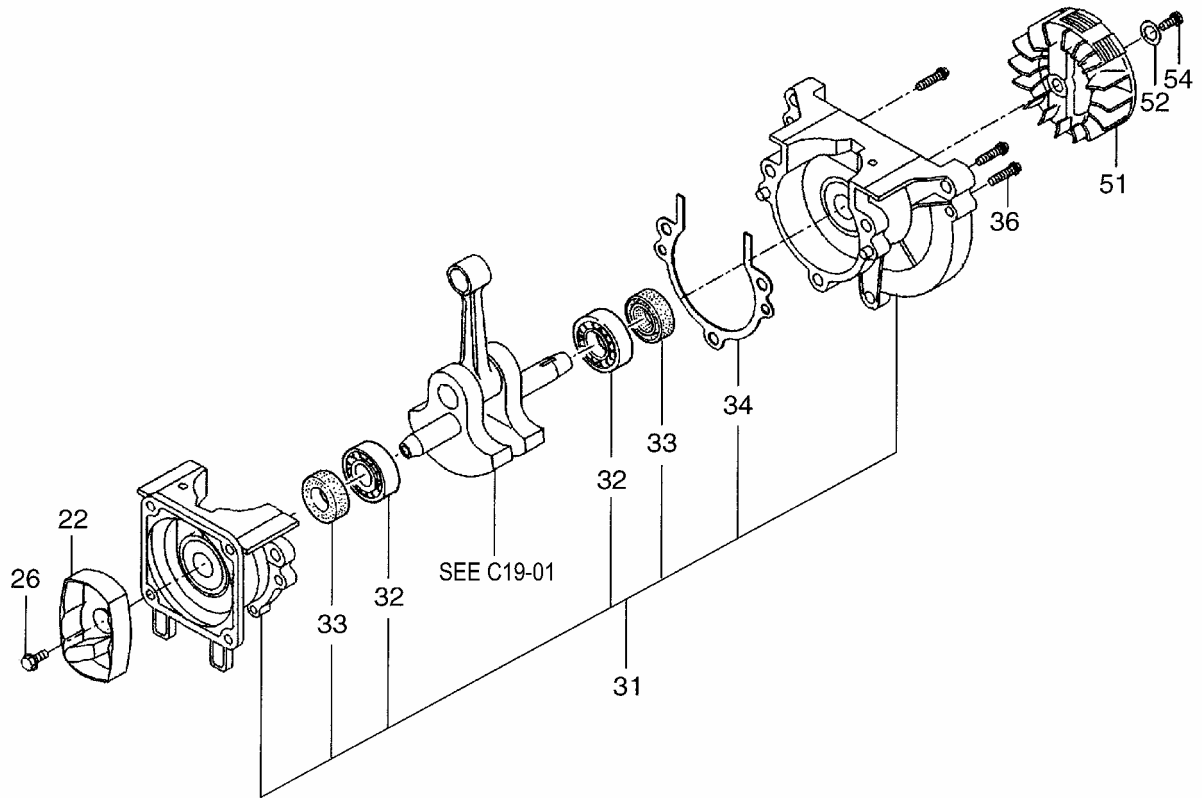
Serial No . - C162900

C19-01 CYLINDER/PISTON/CRANK SHAFT



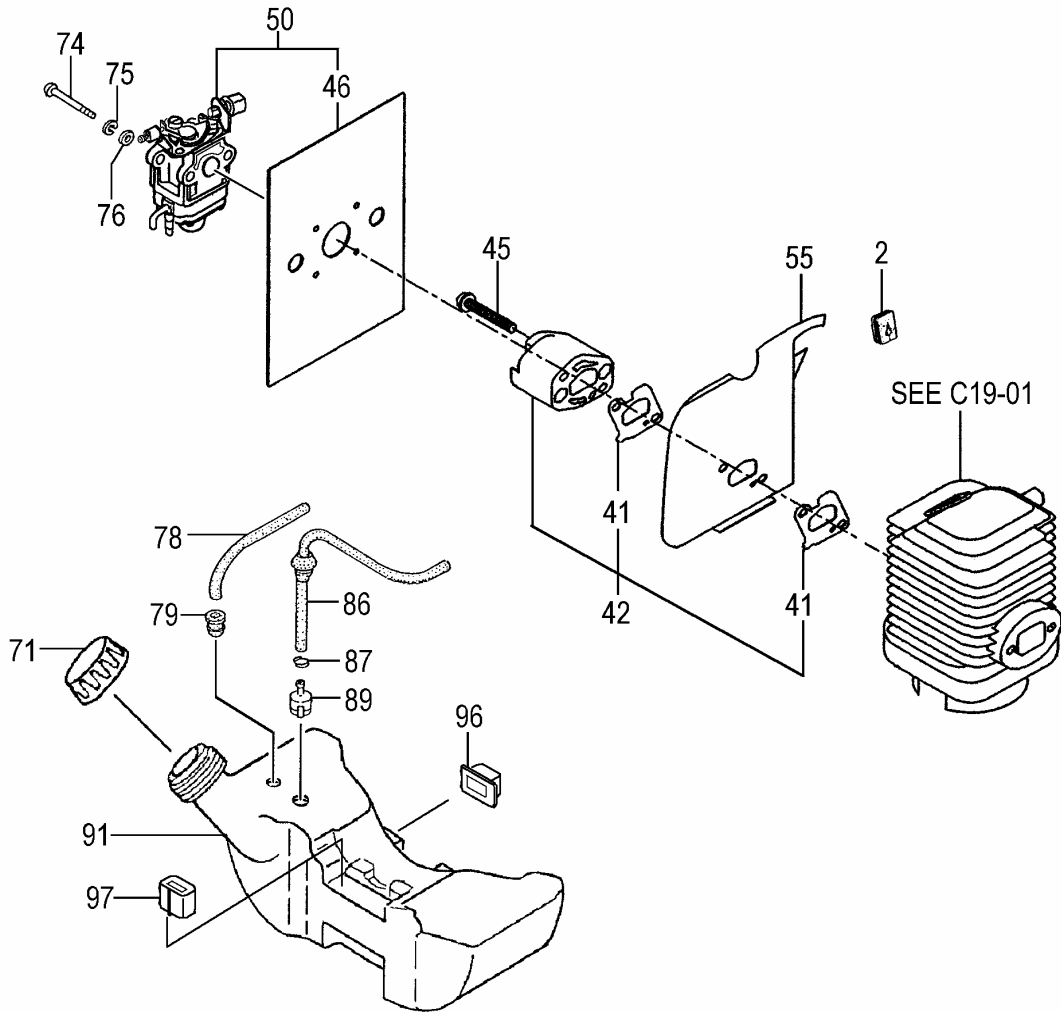
REF. NUMBER	PARTS NUMBER	DESCRIPTION	Q'TY	SERIAL NUMBER
C19-01 CYLINDER/PISTON/CRANK SHAFT				
001	668-7468	SPARK PLUG CAP ASS'Y	1	
002	668-5771	SPARK PLUG CJ8	1	
006	668-5488	CYLINDER SET	1	
007	669-5513	SCREW 5X20/WS	2	
009	668-5747	CYLINDER GASKET	1	
011	668-6131	PISTON RING	2	
012	668-5900	PISTON SET, SPARE	1	- W266400
012	668-5901	PISTON SET	1	W266401 -
013	668-6034	PISTON PIN CIRCLIP	2	
014	668-6017	PISTON PIN	1	- W266400
014	668-6018	PISTON PIN	1	W266401 -
016	668-6213	CRANK SHAFT COMP.	1	
017	668-6683	NEEDLE BEARING	1	- A211950
035	668-7973	LEAD WIRE ASS'Y	1	
043	668-7633	IGNITION COIL COMP.	1	
046	669-5408	PLUS SCREW 4X20 WS	2	
055	668-8320	INSULATOR TUBE	1	
060	668-8007	CORD CLAMP COMP.	1	W266401 -

C19-02 CRANK CASE



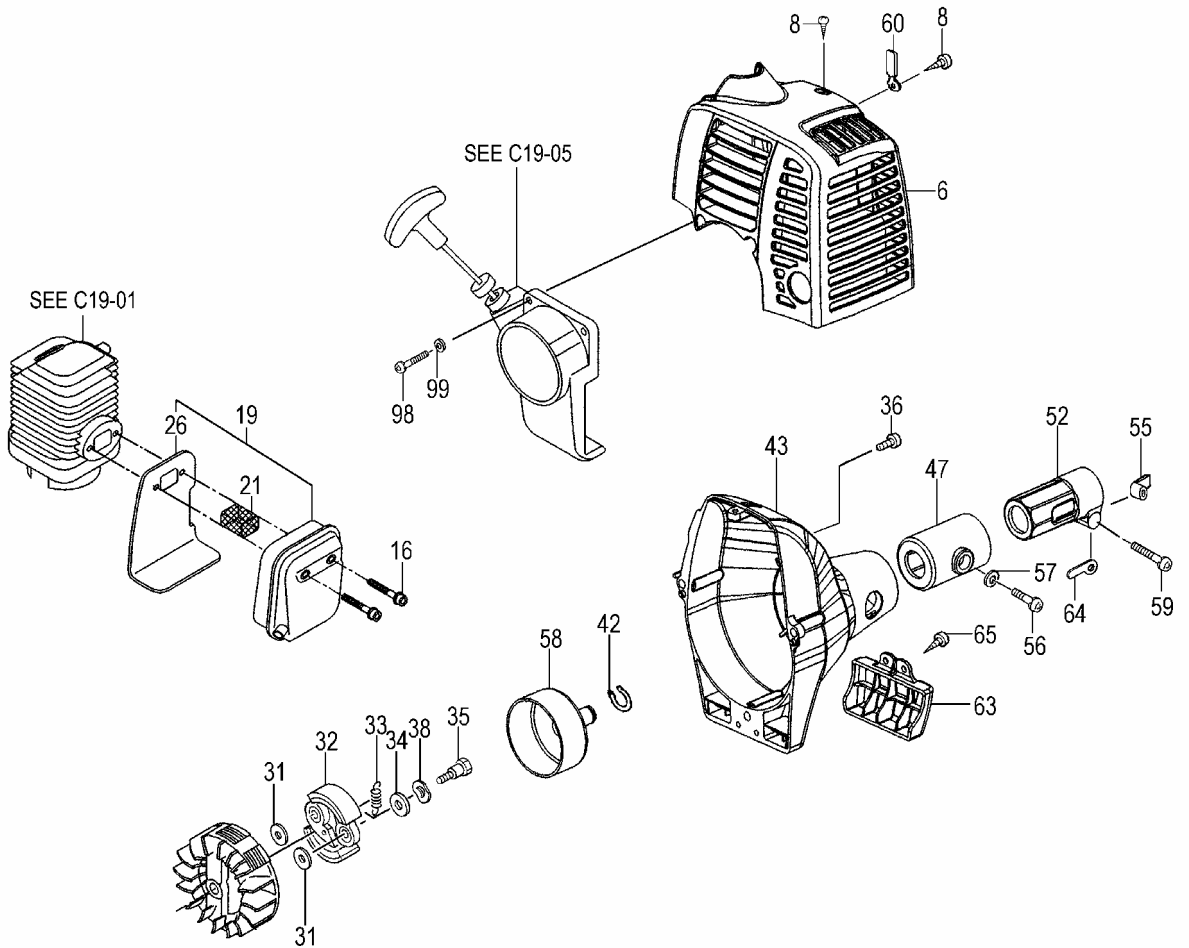
REF. NUMBER	PARTS NUMBER	DESCRIPTION	Q'TY	SERIAL NUMBER
C19-02 CRANK CASE				
022	669-3407	STARTER PULLEY ASS'Y	1	- A211950
026	668-9739	SPECIAL BOLT M6	1	
031	668-6582	CRANK CASE ASS'Y	1	
032	669-5530	BALL BEARING #6001, 28MM/OD	2	
033	669-5628	OIL SEAL ISCD12224.5	2	
034	668-6722	CRANK CASE GASKET	1	
036	669-5343	SCREW 5X25/S	3	
051	668-7357	MAGNETO ROTOR COMP.	1	
052	668-7946	SPECIAL WASHER M6	1	
054	669-5435	BOLT 6X16 PS	1	

C19-03 ENGINE-1



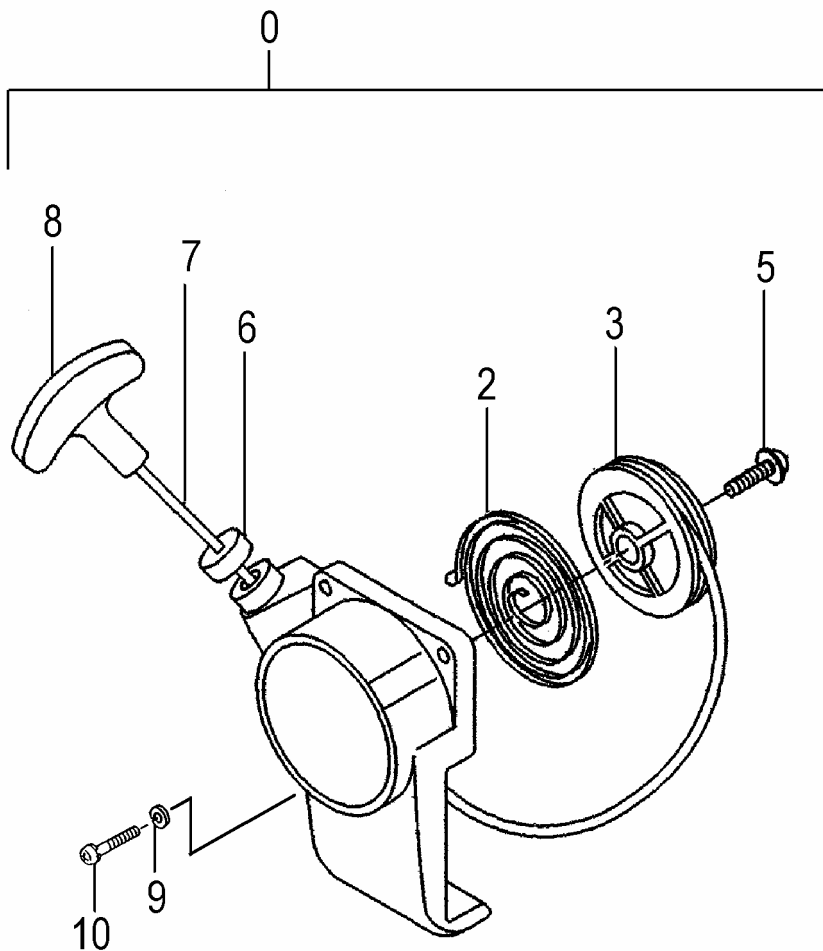
REF. NUMBER	PARTS NUMBER	DESCRIPTION	Q'TY	SERIAL NUMBER
C19-03 ENGINE-1				
002	668-8054	GROMMET	1	
041	668-9896	INTAKE MANIFOLD GASKET	2	
042	668-9974	CARB.INSULATOR SET,SPARE	1	
045	317-751	MACHINE SCREW (W/WASHERS)	2	
046	668-9842	CARBURETOR GASKET	1	
050	669-0506	CARBURETOR SET,WYK135	1	
055	668-7210	DEFLECTOR	1	
071	669-1748	TANK CAP D ASS'Y	1	
074	669-4917	SCREW 5X65	2	
075	668-4662	S.WASHER 5	2	
076	668-4661	WASHER 5	2	
078	669-2357	FUEL PIPE 3X5X70	1	
079	668-4627	RETURN GROMMET	1	
086	668-8169	FUEL PIPE ASS'Y	1	
087	668-4619	CLIP,6.3 DIA.	1	
089	668-4620	PUMP FILTER BODY COMP.	1	
091	669-1589	FUEL TANK COMP.	1	
096	669-2221	FUEL TANK CUSHION RUBBER	2	
097	669-1912	TANK HOLDING RUBBER	2	

C19-04 ENGINE-2



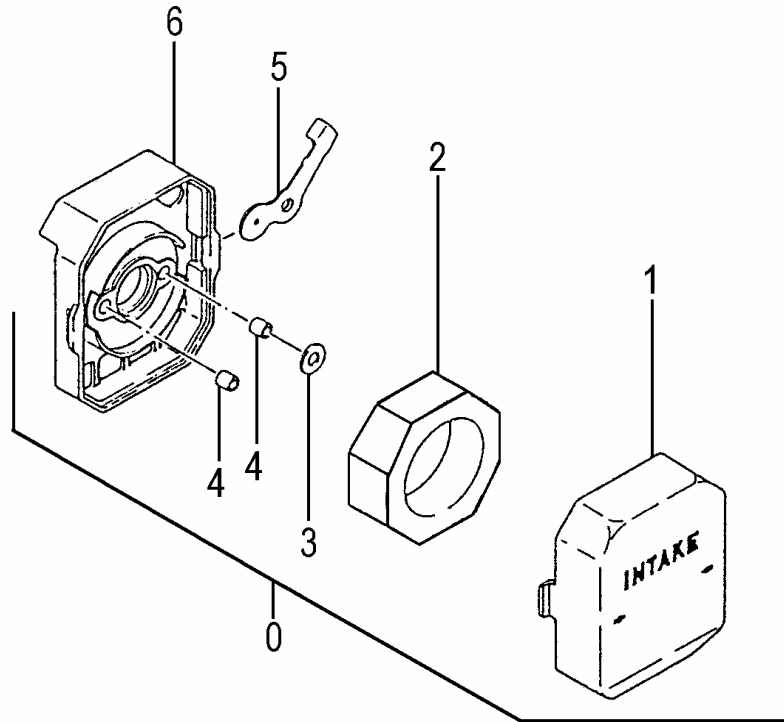
REF. NUMBER	PARTS NUMBER	DESCRIPTION	Q'TY	SERIAL NUMBER
C19-04	ENGINE-2			
006	669-2806	MUFFLER PROTECTOR	1	
008	669-5104	TAPPING SCREW 4.5X10	3	
016	669-5483	SCREW 5X45W	2	
019	669-2494	MUFFLER SET, SPARE	1	
021	669-2700	SPARK ARRESTOR	1	
026	668-7262	HEAT SHIELD	1	
031	668-4642	CLUTCH WASHER B	2	
032	668-4643	CLUTCH SHOE COMP.	2	
033	668-4644	CLUTCH SPRING	1	
034	668-9528	CLUTCH PLATE A	2	
035	668-4646	STEP BOLT	2	
036	669-5418	SCREW 5X16/WS	3	
038	668-4648	BENT WASHER 8	2	
042	668-4664	STOP RING C-12 OUTER	1	
043	668-7026	FAN CASE COMP.	1	
047	669-1823	CUSHION RUBBER	1	
052	668-9651	PIPE HOLDER, TPE	1	
055	668-9664	METAL FITTING	1	
056	669-5046	HEX. HOLE BOLT 5X16	1	
057	668-4918	WASHER M5	1	
058	668-8601	CLUTCH SHAFT CAMP.	1	
059	668-4709	HEX.HOLE BOLT M5X25/S	1	
060	668-8011	CORD CLAMP COMP.	1	
063	669-4794	STAND	1	
064	668-9159	GEAR CASE WASHER	1	
065	668-4637	TAPPING SCREW D4.5X12	2	
098	668-4668	HEX.HOLE BOLT M5X20/S	2	
099	668-5226	WASHER M5 (BLACK)	2	

C19-05 RECOIL STARTER



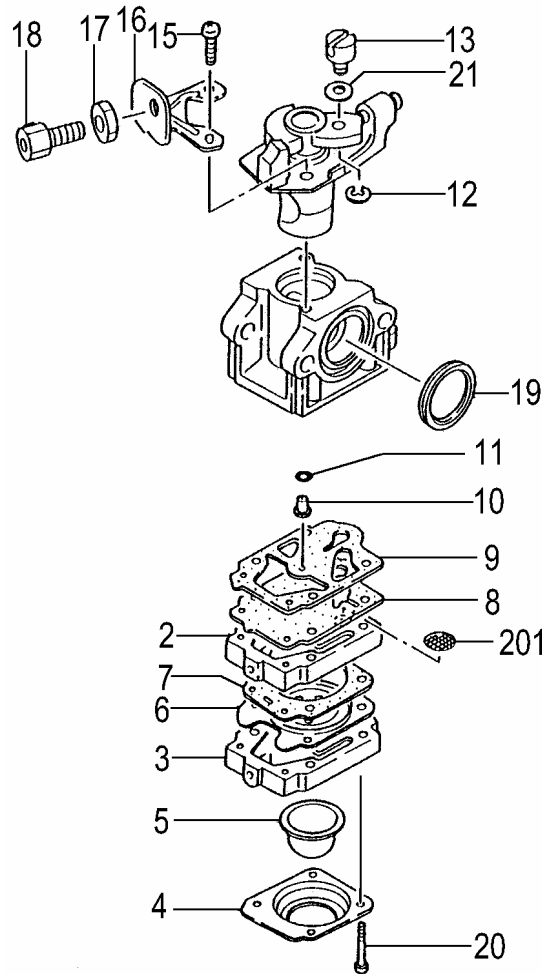
REF. NUMBER	PARTS NUMBER	DESCRIPTION	Q'TY	SERIAL NUMBER
C19-05 RECOIL STARTER				
000	669-2984	RECOIL STARTER BODY ASS'Y	1	
002	669-3121	RECOIL SPRING	1	
003	669-3076	STARTER PULLEY	1	
005	669-3638	SET BOLT	1	
006	669-3137	ROPE GUIDE	1	
007	669-3173	STARTER ROPE	1	
008	669-3239	STARTER HANDLE	1	
009	668-5226	WASHER M5 (BLACK)	2	
010	668-4668	HEX.HOLE BOLT M5X20/S	2	

C19-06 AIR CLEANER



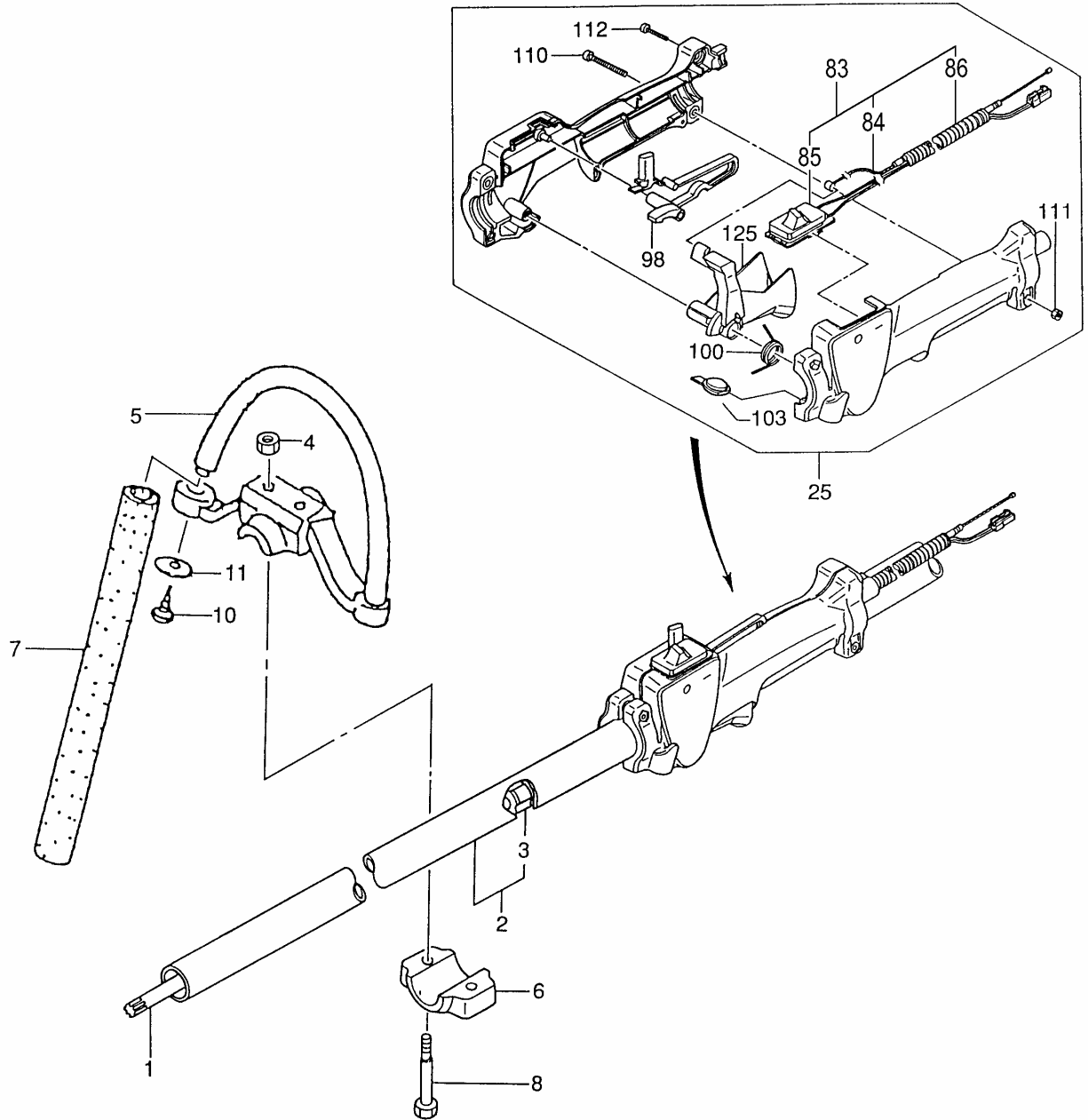
REF. NUMBER	PARTS NUMBER	DESCRIPTION	Q'TY	SERIAL NUMBER
C19-06 AIR CLEANER				
000	669-0025	AIR CLEANER ASS'Y	1	
001	669-0142	AIR CLEANER CAP	1	
002	669-0350	CLEANER ELEMENT	1	
003	668-4859	SPACER	1	
004	669-0801	COLLAR	2	
005	669-1267	CHOKE PLATE,W/1.5MM HOLE	1	
006	669-0091	CLEANER BODY COMP.	1	

C19-07 CARBURETOR



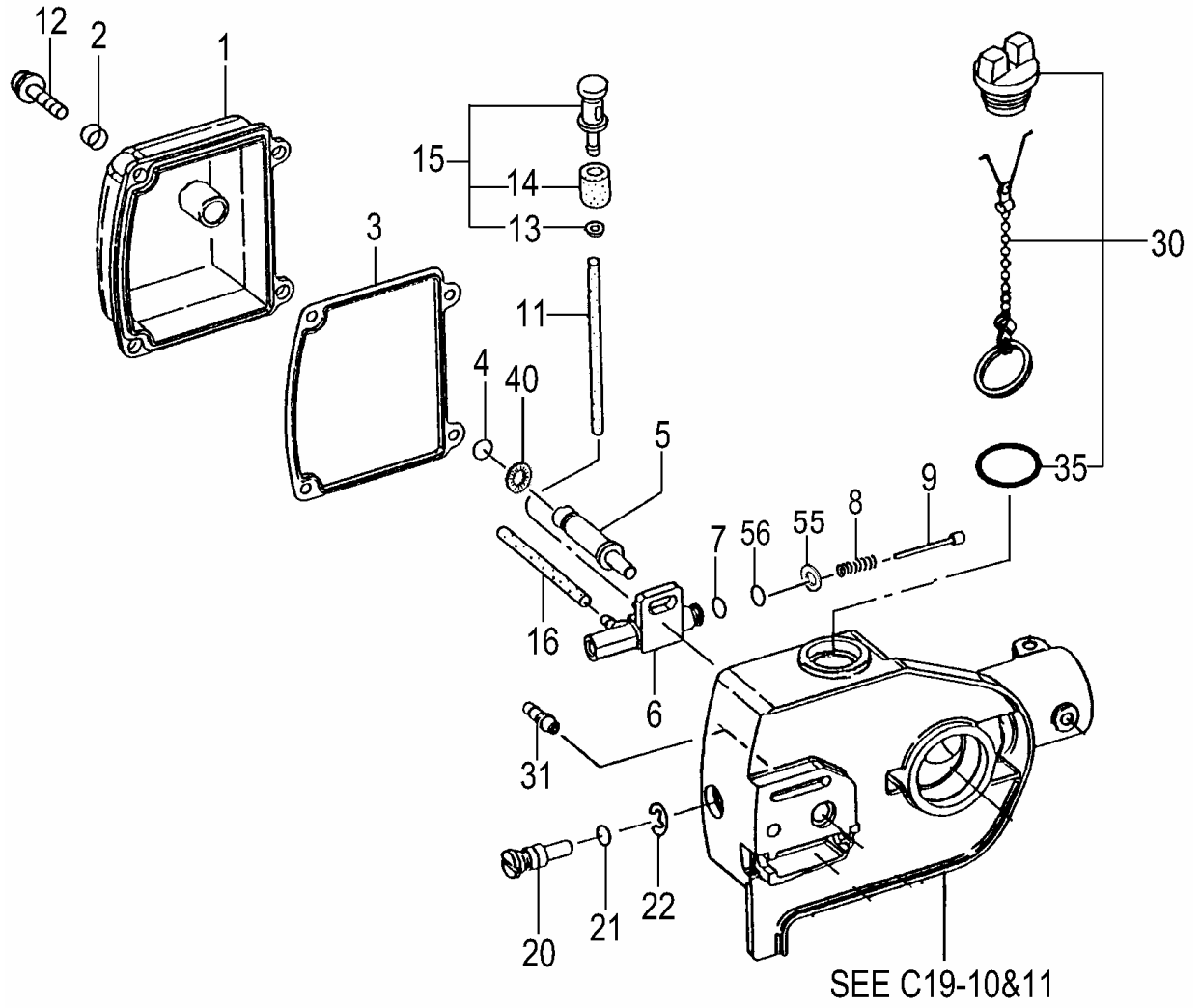
REF. NUMBER	PARTS NUMBER	DESCRIPTION	Q'TY	SERIAL NUMBER
C19-07 CARBURETOR				
002	668-4879	PUMP BODY COMP.	1	
003	668-4687	PRIMING PUMP COMP.	1	
004	668-4688	DIAPHRAGM COVER	1	
005	668-4689	PRIMING BODY	1	
006	669-0830	METERING DIAPHRAGM COMP.	1	
007	668-4691	DIAPHRAGM GASKET	1	
008	668-4693	PUMP DIAPHRAGM	1	
009	669-1457	PUMP GASKET	1	
010	669-1848	MAIN JET #43	1	
011	668-4695	O-RING	1	
012	668-4696	STOP RING	1	
013	668-4697	SWIVEL	1	
015	668-4870	THROTTLE SET SCREW	2	
016	668-4873	CABLE ADJUSTER STAY	1	
017	669-2005	CABLE ADJUST NUT	1	
018	668-4871	CABLE ADJUSTER	1	
019	668-4875	CLEANER PACKING	1	
020	668-4699	SET SCREW	4	
021	668-4874	THRUST WASHER	1	
201	668-4700	INLET SCREEN	1	
	669-2190	CARB.REPAIR KIT,K20WYJ	1	

C19-08 HANDLE



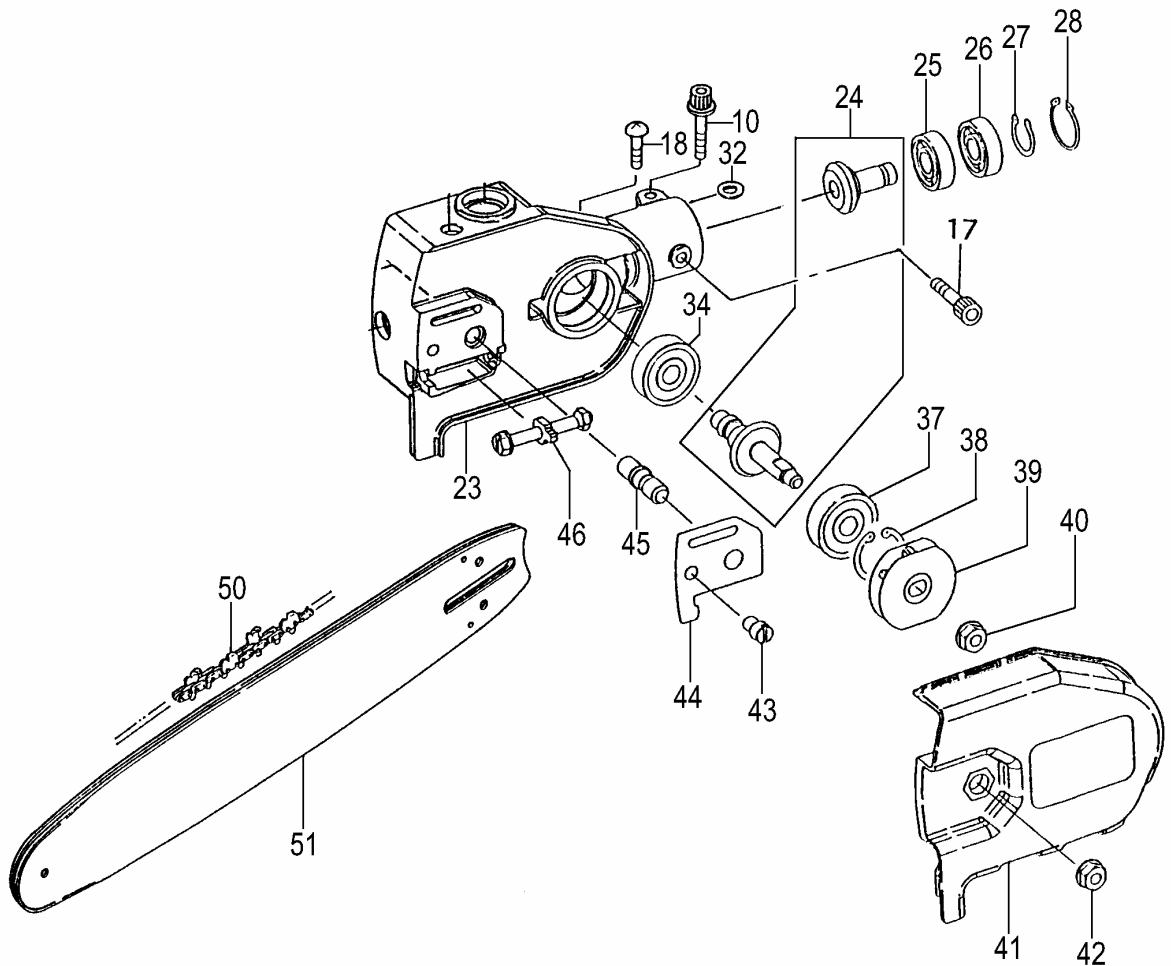
REF. NUMBER	PARTS NUMBER	DESCRIPTION	Q'TY	SERIAL NUMBER
C19-08 HANDLE				
001	668-9443	DRIVE SHAFT 1829L	1	
002	668-9308	DRIVE SHAFT PIPE COMP.	1	
003	668-9516	BUSHING ASS'Y	6	
004	668-4835	HEX.NUT 6	2	
005	669-1046	LOOP HANDLE, 24 DIA.,BLACK	1	
006	669-1134	HANDLE BRACKET A	1	
007	669-1098	HANDLE GRIP	1	
008	668-4838	BOLT 6X43/P (BLACK)	2	
010	669-5255	TAPPING SCREW 5X20	1	
011	668-9681	BRAKE SHAFT WASHER	1	
025	669-3767	THROTTLE LEVER ASS'Y 24 DIA.	1	
083	669-3978	THROTTLE WIRE COMP.	1	
084	669-4022	THROTTLE WIRE	1	
085	668-7459	STOP SWITCH COMP.	1	
086	668-7526	PROTECTION TUBE 7X175	1	
098	668-4721	SAFETY LEVER	1	
100	668-4722	RETURN SPRING	1	
103	668-4724	BLIND PLUG	1	
110	668-4803	SCREW M5X20	2	
111	668-4727	CONTAL NUT 5	2	
112	668-4725	SCREW M4X20 (BLACK)	4	
125	668-4804	THROTTLE LEVER	1	

C19-09 GEAR CASE-1



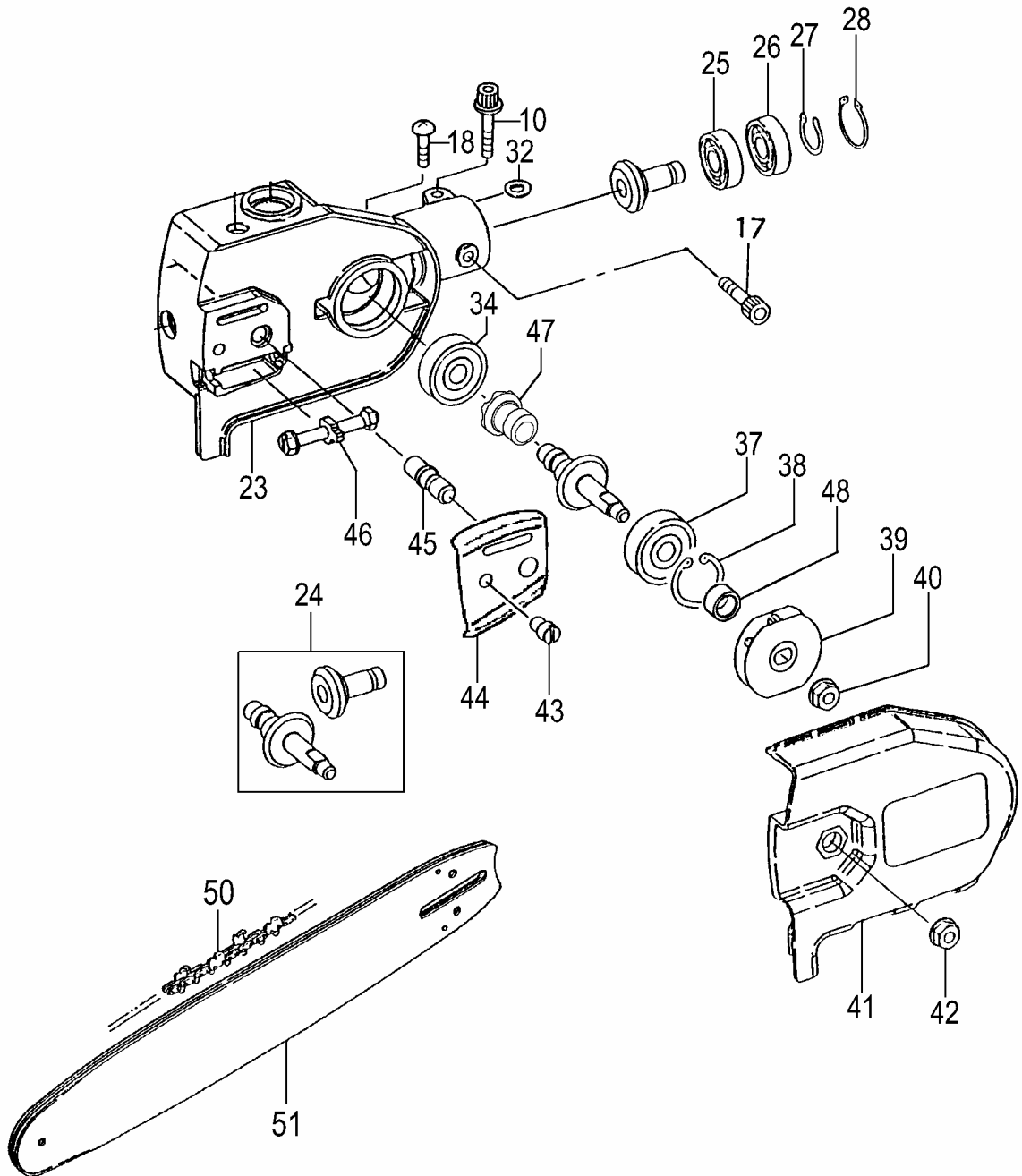
REF. NUMBER	PARTS NUMBER	DESCRIPTION	Q'TY	SERIAL NUMBER
C19-09 GEAR CASE-1				
001	668-6138	OIL TANK COVER	1	
002	668-5961	COLLAR 3	4	
003	669-0084	OIL TANK GASKET	1	
004	669-5661	O-RING P-5	1	
005	668-9757	STEP BOLT A	1	
006	668-6487	OIL PUMP COMP.	1	
007	669-5661	O-RING P-5	1	
008	669-0381	OIL PUMP SPRING	1	
009	668-6608	OIL PUMP PISTON COMP.	1	
011	669-2414	FUEL PIPE 3X5X60	1	
012	669-5403	SMALL SCREW 4X12WS	4	
013	668-4661	WASHER 5	1	
014	669-0917	OIL FILTER	1	
015	669-0913	FILTER ASS'Y	1	
016	669-2357	FUEL PIPE 3X5X70	1	
020	669-1066	OIL PUMP ADJUSTER	1	
021	669-5661	O-RING P-5	1	
022	669-5311	STOP RING E-6	1	
030	669-2050	OIL TANK CAP ASS'Y	1	
031	668-6637	BANJO, OIL PUMP	1	
035	669-5670	O-RING P-15	1	
040	669-5239	8 PUSH NUT	1	Y109451 -
055	669-5187	WASHER 2	1	
056	669-5656	O-RING 1.4	1	

C19-10 GEAR CASE-2 (SERIAL NO. -Z148100)



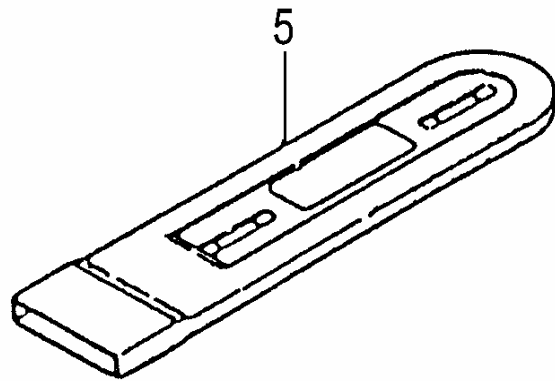
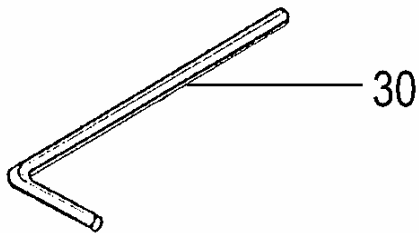
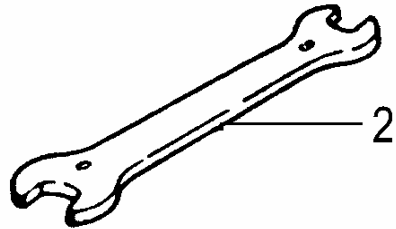
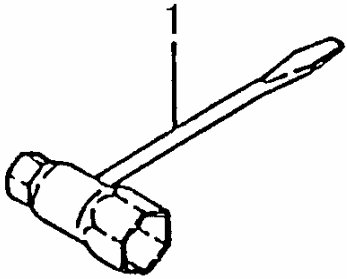
REF. NUMBER	PARTS NUMBER	DESCRIPTION	Q'TY	SERIAL NUMBER
C19-10 GEAR CASE-2 (SERIAL NO. -Z148100)				
010	669-5492	HEX. HOLE BOLT 5X22/S	1	
017	669-5042	HEX. HOLE BOLT 5X10	1	
018	669-4923	SCREW 6X8	1	
023	668-5793	CASE	1	
024	668-8835	GEAR/PINION SET, SPARE	1	
025	668-4734	BALL BEARING 609	1	
026	668-4735	BALL BEARING 609Z ST	1	
027	669-5281	STOP RING C-9, OUTER	1	
028	668-4732	STOP RING C-24, INNER	1	
032	669-3248	STARTER PAWL WASHER	1	
034	668-4738	BALL BEARING #608,22MM/OD	1	
037	669-5576	BALL BEARING 638Z	1	
038	668-4741	STOP RING C-28, INNER	1	
039	668-9117	SPROCKET COMP., 3/8	1	
040	669-5170	FLANGE NUT 6	1	
041	668-6038	SIDE COVER COMP.	1	
042	668-7105	CHAIN BAR CLAMP NUT	1	
043	668-7129	GUIDE BAR KNOCK PIN	1	
044	669-0725	GUIDE PLATE	1	
045	668-6802	GUIDE BAR TIGHTENING BOLT	1	
046	668-7063	CHAIN TENSIONER ASS'Y	1	
050	668-7176	SAW CHAIN, 10 INCH, 3/8	1	
051	668-6875	GUIDE BAR, 10 INCH, S/N	1	

C19-11 GEAR CASE-2(SERIAL NO. Z148101-)



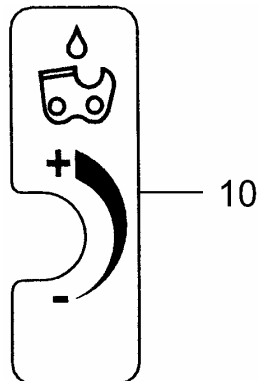
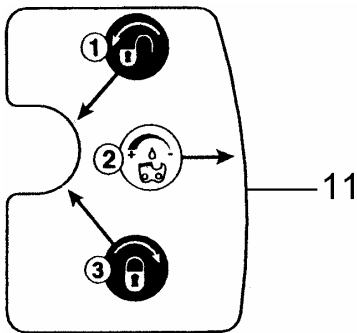
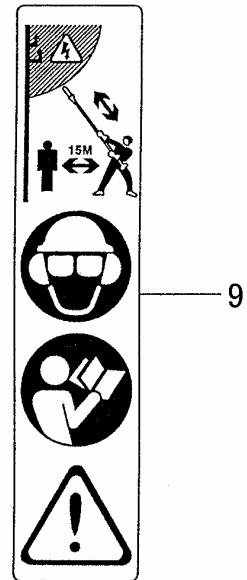
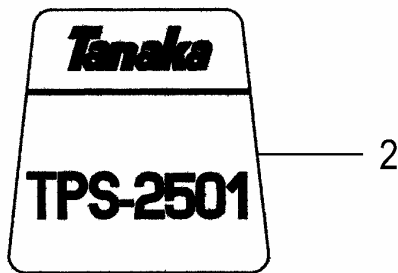
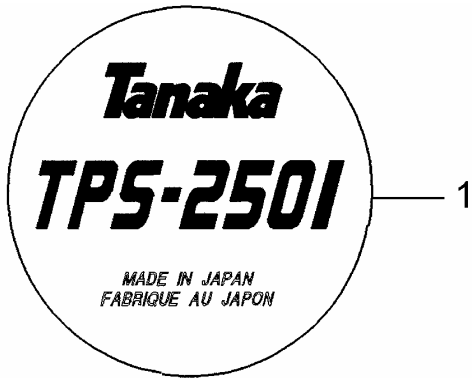
REF. NUMBER	PARTS NUMBER	DESCRIPTION	Q'TY	SERIAL NUMBER
C19-11 GEAR CASE-2(SERIAL NO. Z148101-)				
010	669-5492	HEX. HOLE BOLT 5X22/S	1	
017	669-5042	HEX. HOLE BOLT 5X10	1	
018	669-5458	SCREW 6X8	1	
023	668-5793	CASE	1	
024	668-8836	GEAR PINION SET SPARE	1	
025	668-4734	BALL BEARING 609	1	
026	668-4735	BALL BEARING 609Z ST	1	
027	669-5281	STOP RING C-9, OUTER	1	
028	668-4732	STOP RING C-24, INNER	1	
032	669-3248	STARTER PAWL WASHER	1	
034	669-5568	BALL BEARING 627 C3	1	
037	669-5576	BALL BEARING 638Z	1	
038	668-4741	STOP RING C-28, INNER	1	
039	668-9117	SPROCKET COMP., 3/8	1	
040	669-5170	FLANGE NUT 6	1	
041	668-6038	SIDE COVER COMP.	1	
042	668-7105	CHAIN BAR CLAMP NUT	1	
043	668-7130	CHAIN BAR KNOCK PIN	1	
044	669-0726	GUIDE PLATE	1	
045	668-6803	CHAIN BAR TIGHTENING BOLT	1	
046	668-7063	CHAIN TENSIONER ASS'Y	1	
047	669-0428	CAM	1	
048	668-5962	COLLAR	1	
050	668-7176	SAW CHAIN, 10 INCH, 3/8	1	
051	668-6875	GUIDE BAR, 10 INCH, S/N	1	

C19-12 TOOLS



REF. NUMBER	PARTS NUMBER	DESCRIPTION	Q'TY	SERIAL NUMBER
C19-12 TOOLS				
001	669-3809	COMBI. BOX SPANNER 13X19 MI	1	
002	668-4766	WRENCH 8X10	1	
005	669-4796	GUIDE BAR COVER, 10	1	
030	668-4813	HEX. BAR WRENCH 4MM	1	

C19-13 LABELS



REF. NUMBER	PARTS NUMBER	DESCRIPTION	Q'TY	SERIAL NUMBER
C19-13 LABELS				
001	N/A	Not Available	1	
002	N/A	Not Available	1	W266401 -
004	N/A	Not Available	1	
005	N/A	Not Available	1	
009	N/A	Not Available	1	
010	N/A	Not Available	1	
011	N/A	Not Available	1	
029,1	N/A	Not Available	1	- Z169750
029	N/A	Not Available	1	Z169751 -