

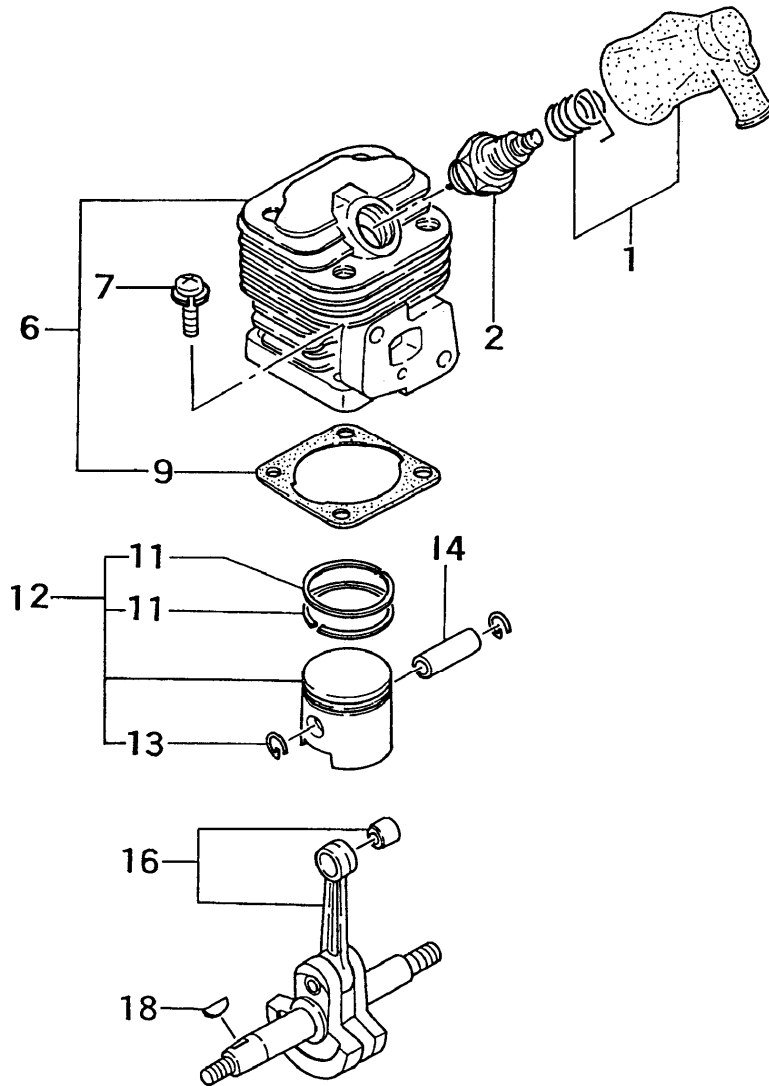
**C18**

***Tanaka***

**TPS-2510**

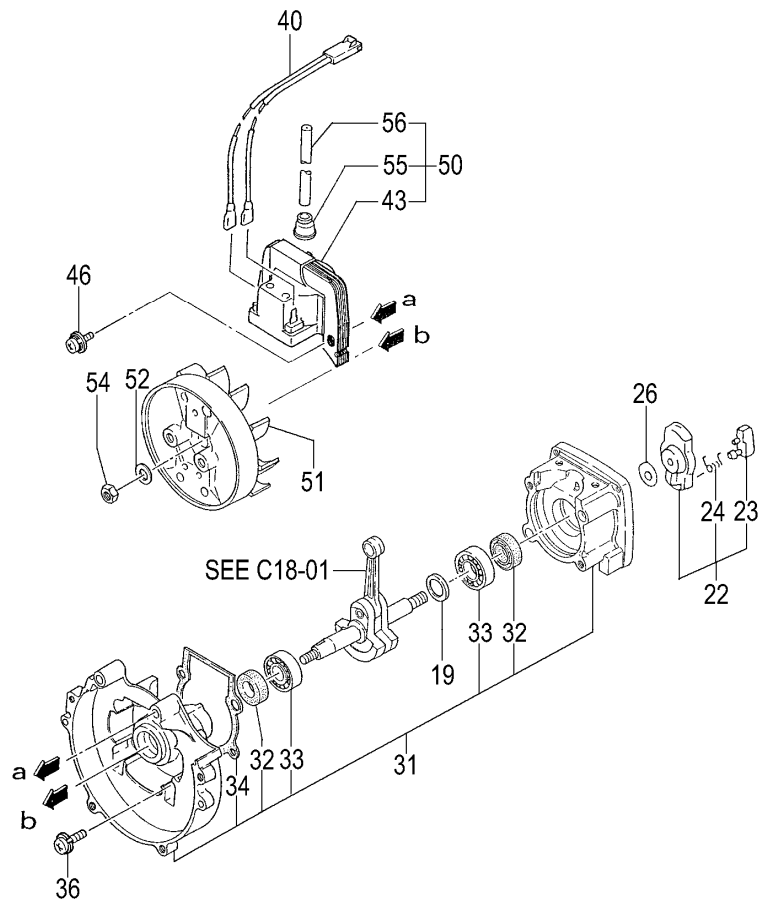
**Serial No.- Z100000**

# C18-01 CYLINDER/PISTON/CRANK SHAFT



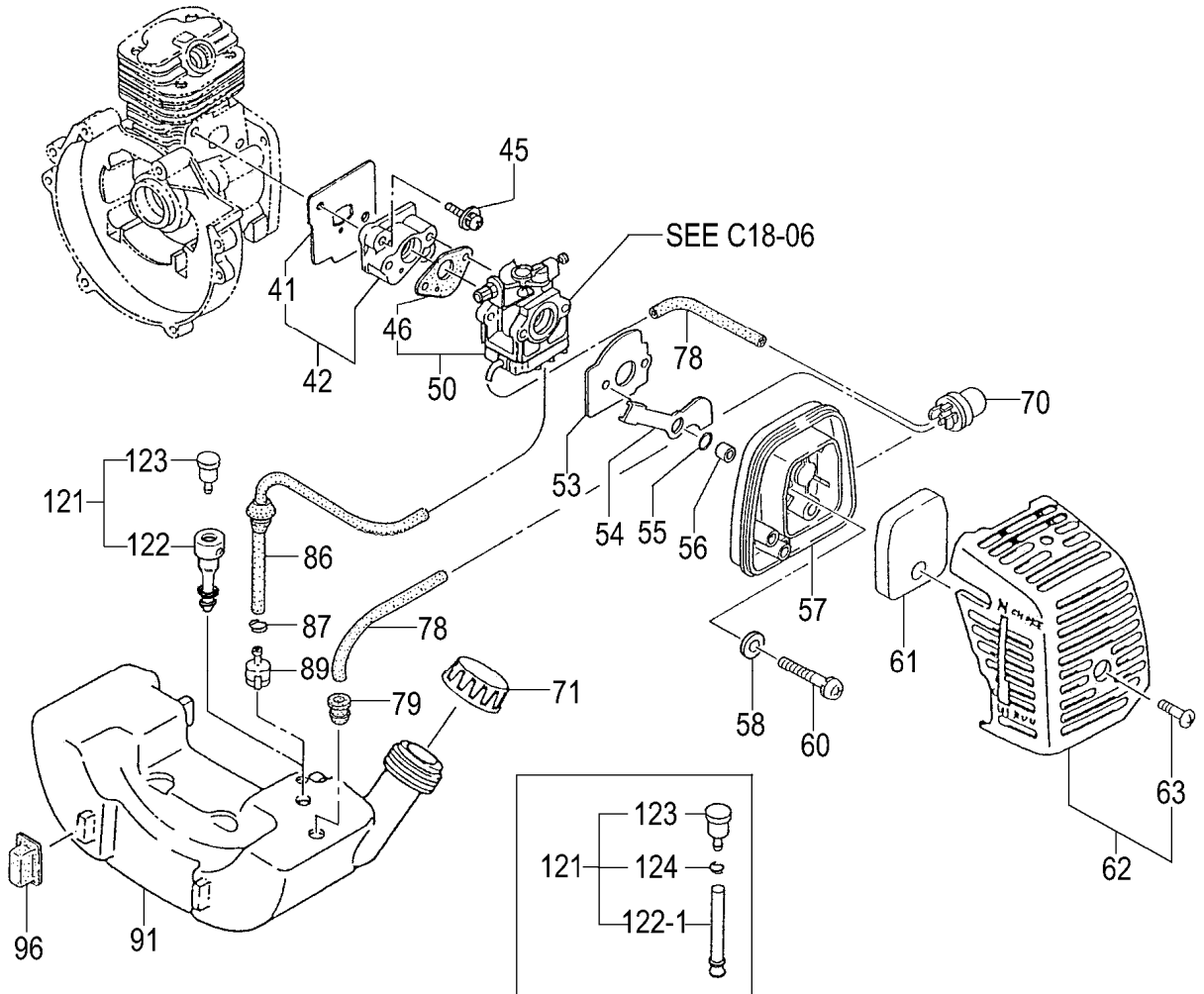
REF. NUMBER	PARTS NUMBER	DESCRIPTION	Q'TY	SERIAL NUMBER
C18-01		CYLINDER/PISTON/CRANK SHAFT		
001	668-7466	SPARK PLUG CAP ASS'Y	1	
002	668-5085	SPARK PLUG BPM6A	1	
006	668-5446	CYLINDER SET	1	
007	669-5339	SCREW 5X18/S	4	
009	668-5709	CYLINDER GASKET	1	
011	668-4588	PISTON RING	2	
012	668-5870	PISTON SET, SPARE	1	
013	668-6028	PISTON PIN CIRCLIP	2	
014	668-6010	PISTON PIN	1	
016	668-6200	CRANK SHAFT COMP.	1	
018	668-4899	WOODRUFF KEY 3X13X4.5	1	

# C18-02 CRANK CASE



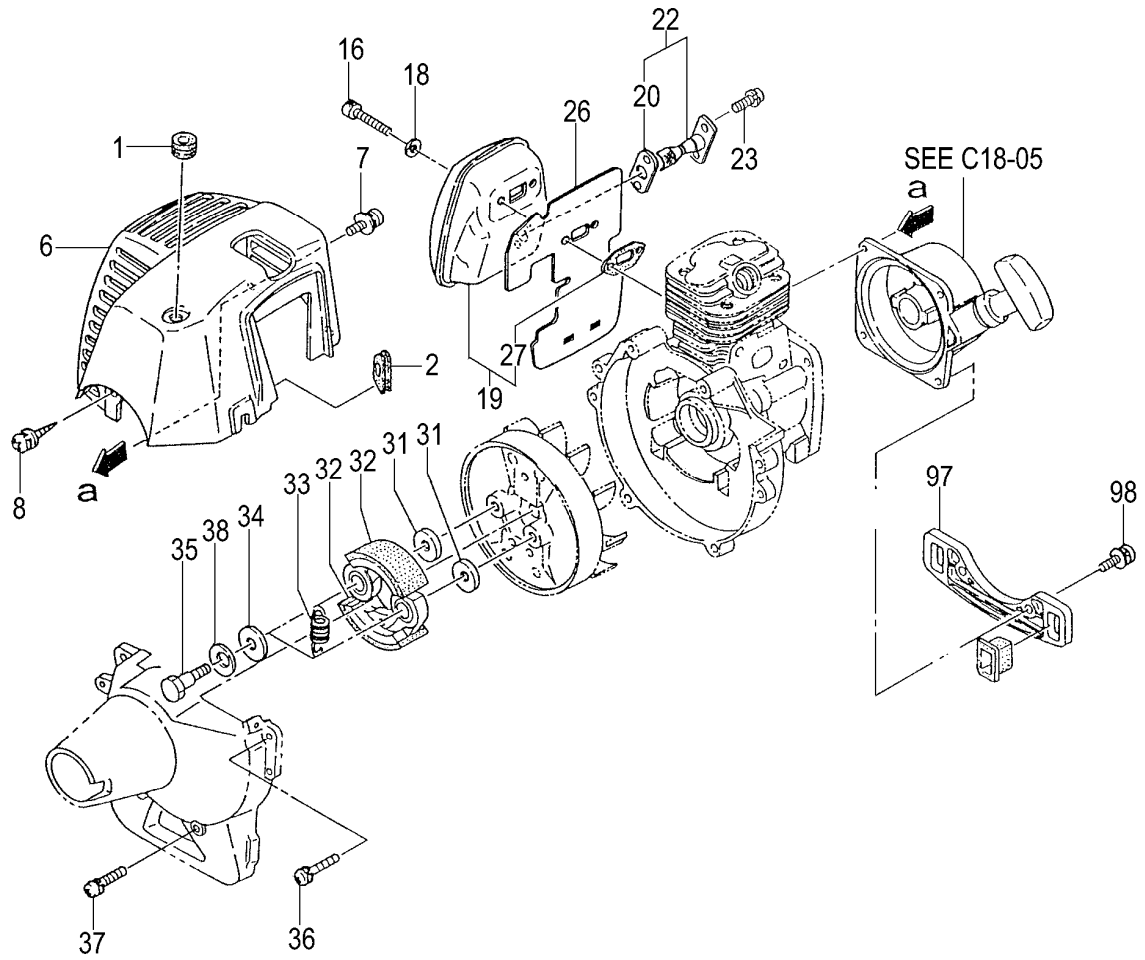
REF. NUMBER	PARTS NUMBER	DESCRIPTION	Q'TY	SERIAL NUMBER
<b>C18-02 CRANK CASE</b>				
019	668-9177	GEAR SHAFT SHIM 0.10	V	
019	668-9178	GEAR SHAFT SHIM 0.15	V	
019	668-4604	GEAR SHAFT SHIM 0.20	V	
019	668-4605	GEAR SHAFT SHIM 0.30	V	
022	669-3405	STARTER PULLEY ASS'Y	1	
023	669-3319	STARTER PAWL	1	
024	668-4684	STARTER PAWL SPRING	1	
026	668-9645	CLUTCH WASHER B	1	
031	668-6493	CRANKCASE ASS'Y	1	
032	669-5624	OIL SEAL TC12227	2	
033	669-5530	BALL BEARING #6001, 28MM/OD	2	
034	668-6718	CRANK CASE GASKET	1	
036	669-5343	SCREW 5X25/S	4	
040	668-7963	LEAD WIRE ASS'Y	1	
043	668-7641	IGNITION COIL COMP.	1	
046	669-5420	SCREW 5X20/WS	2	
050	668-7642	IGNITION COIL ASS'Y	1	
051	668-7361	MAGNETO ROTOR COMP.	1	
052	668-5103	BOLT WASHER M7	1	
054	669-5126	NUT 7	1	
055	668-4602	RUBBER CAP	1	
056	668-8398	HIGH TENSION CORD, 150L	1	

# C18-03 ENGINE-1



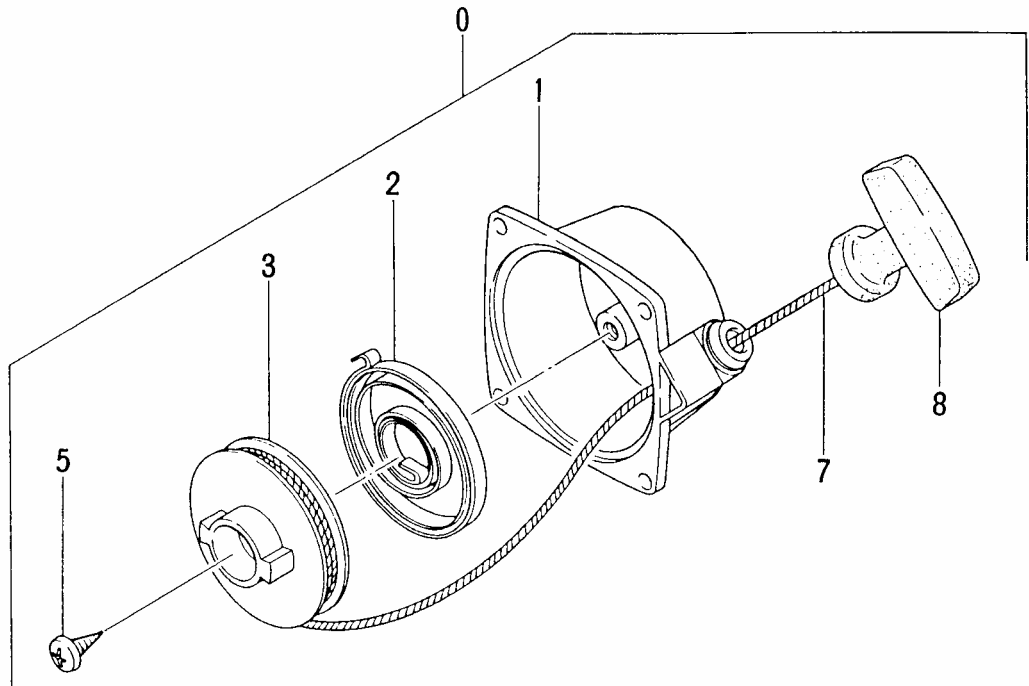
REF. NUMBER	PARTS NUMBER	DESCRIPTION	Q'TY	SERIAL NUMBER
C18-03	ENGINE-1			
041	668-9890	INLET MANIFOLD GASKET	1	
042	668-9914	CARB INSULATOR SET	1	
045	669-5422	SCREW 5X22/WS	2	
046	668-4615	CARBURETOR GASKET	1	
050	669-0448	CARBURETOR SET, SPARE	1	
053	669-0197	CLEANER BASE	1	
054	669-1255	CHOKE PLATE	1	
055	669-5667	O-RING S-8	1	
056	669-0803	CLEANER COLLAR	1	
057	669-0117	CLEANER BODY COMP.	1	
058	668-4864	SMALL WASHER 5	2	
060	669-5353	SCREW 5X57/S	2	
061	669-0362	CLEANER SPONGE	1	
062	668-6281	CLEANER COVER SET	1	
063	668-9737	SPECIAL SCREW	1	
070	668-5139	PRIMING PUMP COMP.	1	
071	669-1768	TANK CAP ASS'Y, BLACK	1	
078	669-2347	FUEL PIPE 2.5X4X80	2	
079	668-4627	RETURN GROMMET	1	
086	668-8169	FUEL PIPE ASS'Y	1	
087	668-4619	CLIP,6.3 DIA.	1	
089	668-4620	PUMP FILTER BODY COMP.	1	
091	669-1485	TANK VARMILION	1	
096	669-2221	FUEL TANK CUSHION RUBBER	4	
121	669-1389	AIR VENT ASS'Y	1	
122,1	668-9993	AIR VENT PIPE	1	- V095519
122	669-1395	AIR VENT PIPE	1	V095520 -
123	669-2171	AIR VENT VALVE ASS'Y	1	
124	668-4619	CLIP,6.3 DIA.	1	- V095519

# C18-04 ENGINE-2



REF. NUMBER	PARTS NUMBER	DESCRIPTION	Q'TY	SERIAL NUMBER
C18-04	ENGINE-2			
001	668-8037	SECONDARY CORD GROMMET	1	
002	668-8052	GROMMET	1	
006	669-2792	MUFFLER PROTECTOR	1	
007	669-5376	SCREW 4X22/PS	2	
008	668-4636	TAPPING SCREW D4.5X16	2	
016	668-5114	HEX. SOCKET HD. BOLT M5X50	2	
018	668-4661	WASHER 5	2	
019	669-2474	MUFFLER SET, SPARE	1	
020	669-2883	MUFFLER SPECIAL GASKET	1	
022	669-2664	TAIL PIPE SET, SPARE	1	
023	668-5109	MACHINE SCREW (W/SP. WASHER)	2	
026	668-7251	HEAT SHIELD	1	
027	669-2743	MUFFLER GASKET	1	
031	668-4642	CLUTCH WASHER B	2	
032	668-4643	CLUTCH SHOE COMP.	2	
033	668-4644	CLUTCH SPRING	1	
034	668-9528	CLUTCH PLATE A	2	
035	668-4646	STEP BOLT	2	
036	669-5421	SCREW 5X20/WS	2	
037	669-5428	SCREW 5X42/WS	2	
038	668-4648	BENT WASHER 8	2	
097	669-2210	TANK BRACKET	1	
098	669-5376	SCREW 4X22/PS	2	

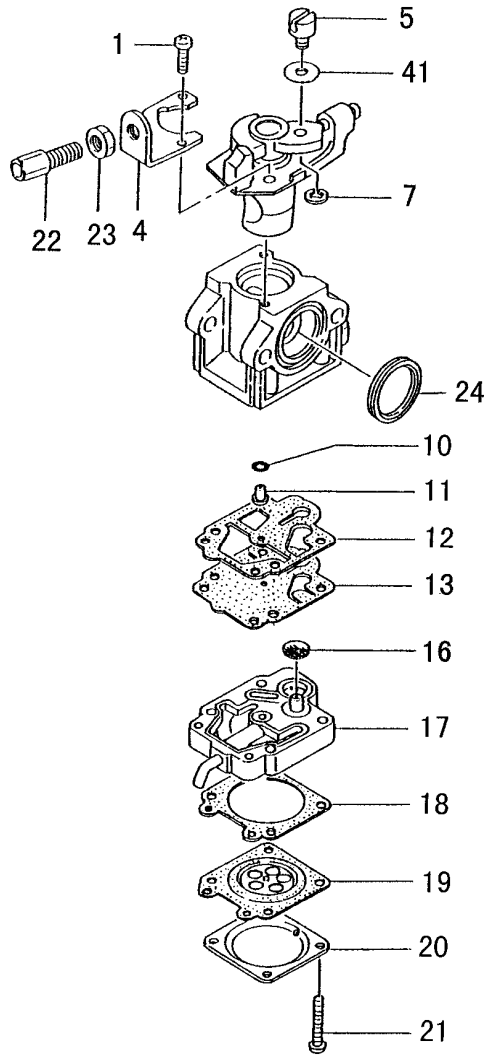
# C18-05 RECOIL STARTER



REF. NUMBER	PARTS NUMBER	DESCRIPTION	Q'TY	SERIAL NUMBER
<b>C18-05 RECOIL STARTER</b>				
000	669-2978	RECOIL STARTER BODY ASS'Y	1	
001	669-3034	RECOIL STARTER BODY COMP.	1	
002	668-4675	RECOIL SPRING	1	
003	669-3066	STARTER ROPE REEL	1	
005	669-3633	SET SCREW	1	
007	669-3168	STARTER ROPE	1	
008	669-3235	STARTER HANDLE	1	

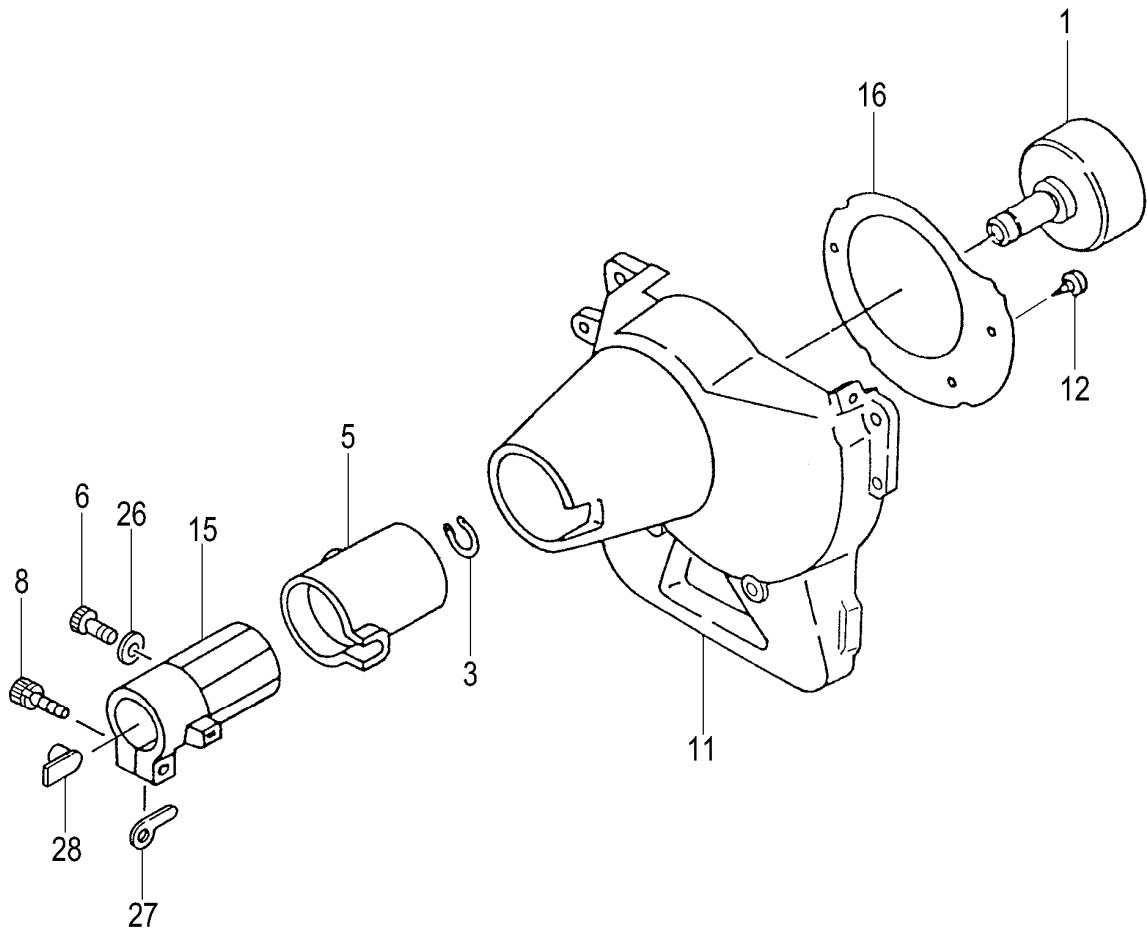


# C18-06 CARBURETOR



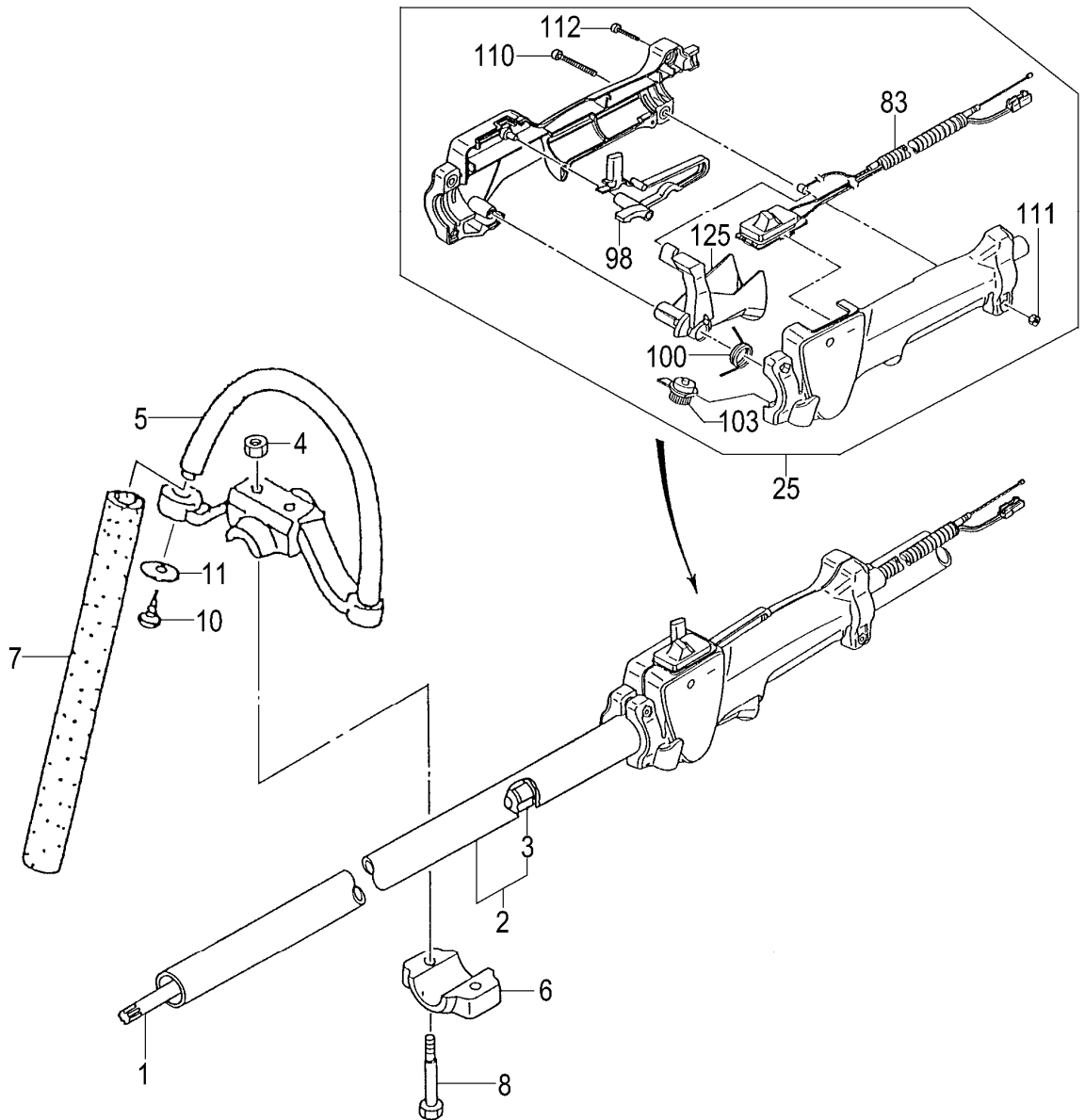
REF. NUMBER	PARTS NUMBER	DESCRIPTION	Q'TY	SERIAL NUMBER
	C18-06 CARBURETOR			
001	668-4870	THROTTLE SET SCREW	2	
004	668-4873	CABLE ADJUSTER STAY	1	
005	668-4697	SWIVEL	1	
007	668-4696	STOP RING	1	
010	668-4695	O-RING	1	
011	669-1848	MAIN JET #43	1	
012	669-1457	PUMP GASKET	1	
013	668-4693	PUMP DIAPHRAGM	1	
016	668-4700	INLET SCREEN	1	
017	669-1430	PUMP BODY COMP.	1	
018	668-5220	DIAPHRAGM PACKING	1	
019	669-0827	METERING DIAPHRAGM COMP.	1	
020	668-5222	DIAPHRAGM COVER	1	
021	669-1312	SET SCREW	4	
022	668-4871	CABLE ADJUSTER	1	
023	669-2005	CABLE ADJUST NUT	1	
024	668-4875	CLEANER PACKING	1	
041	668-4874	THRUST WASHER	1	
	669-2189	CARB. REPAIR KIT, K1-WYJ	1	

# C18-07 FANCASE



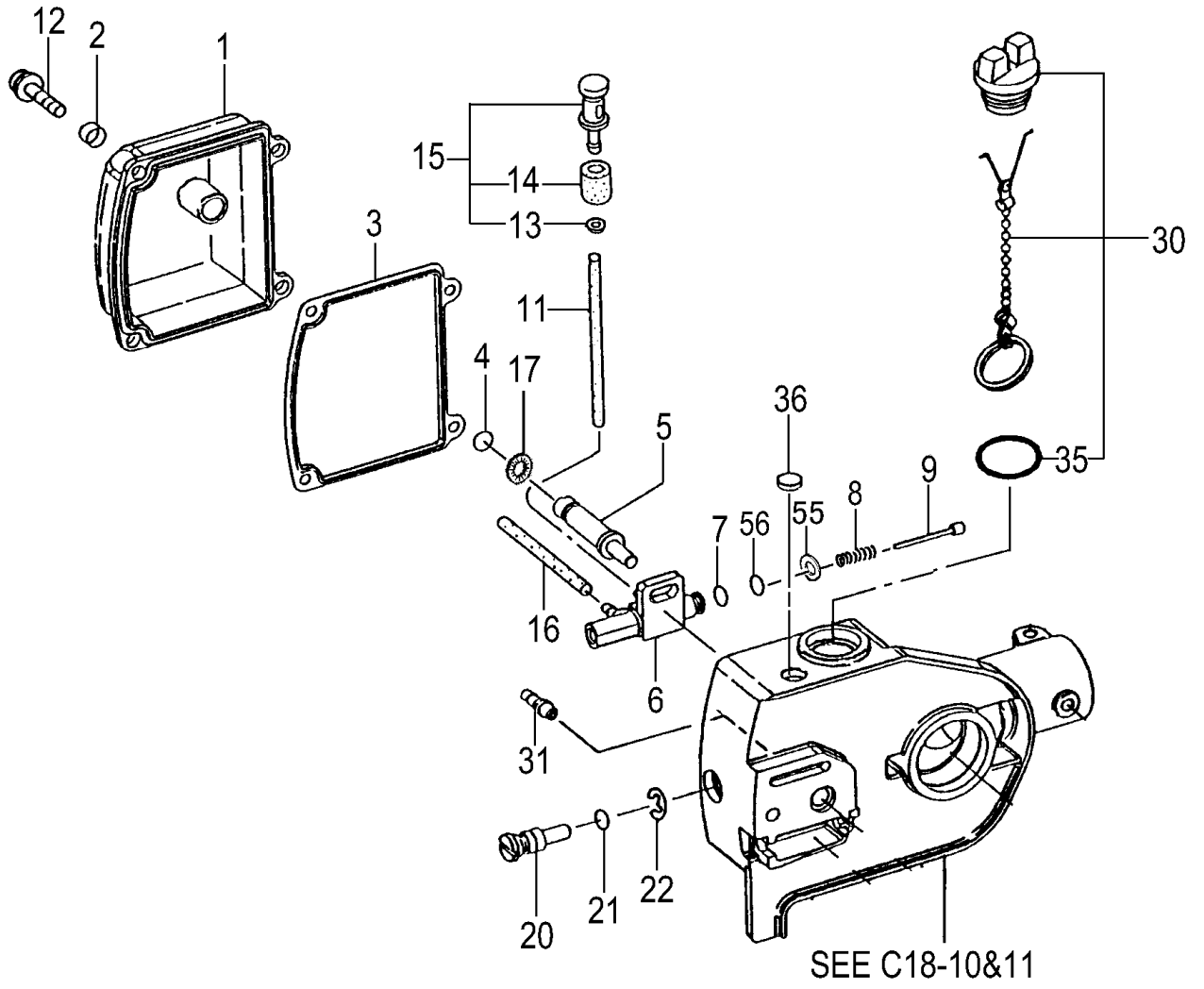
REF. NUMBER	PARTS NUMBER	DESCRIPTION	Q'TY	SERIAL NUMBER
	C18-07	FANCASE		
001	668-8574	CLUTCH DRUM COMP.	1	
003	668-4664	STOP RING C-12 OUTER	1	
005	669-1823	CUSHION RUBBER	1	
006	669-5046	HEX. HOLE BOLT 5X16	1	
008	668-4709	HEX.HOLE BOLT M5X25/S	1	
011	668-6900	FANCASE COMP.,VERMILION	1	
012	668-4636	TAPPING SCREW D4.5X16	3	
015	668-9650	PIPE HOLDER, 24 DIA.	1	
016	668-6736	HEAT SHIELD	1	
026	668-4918	WASHER M5	1	
027	668-9159	GEAR CASE WASHER	1	
028	668-9664	METAL FITTING	1	

# C18-08 THROTTLE LEVER/HANDLE



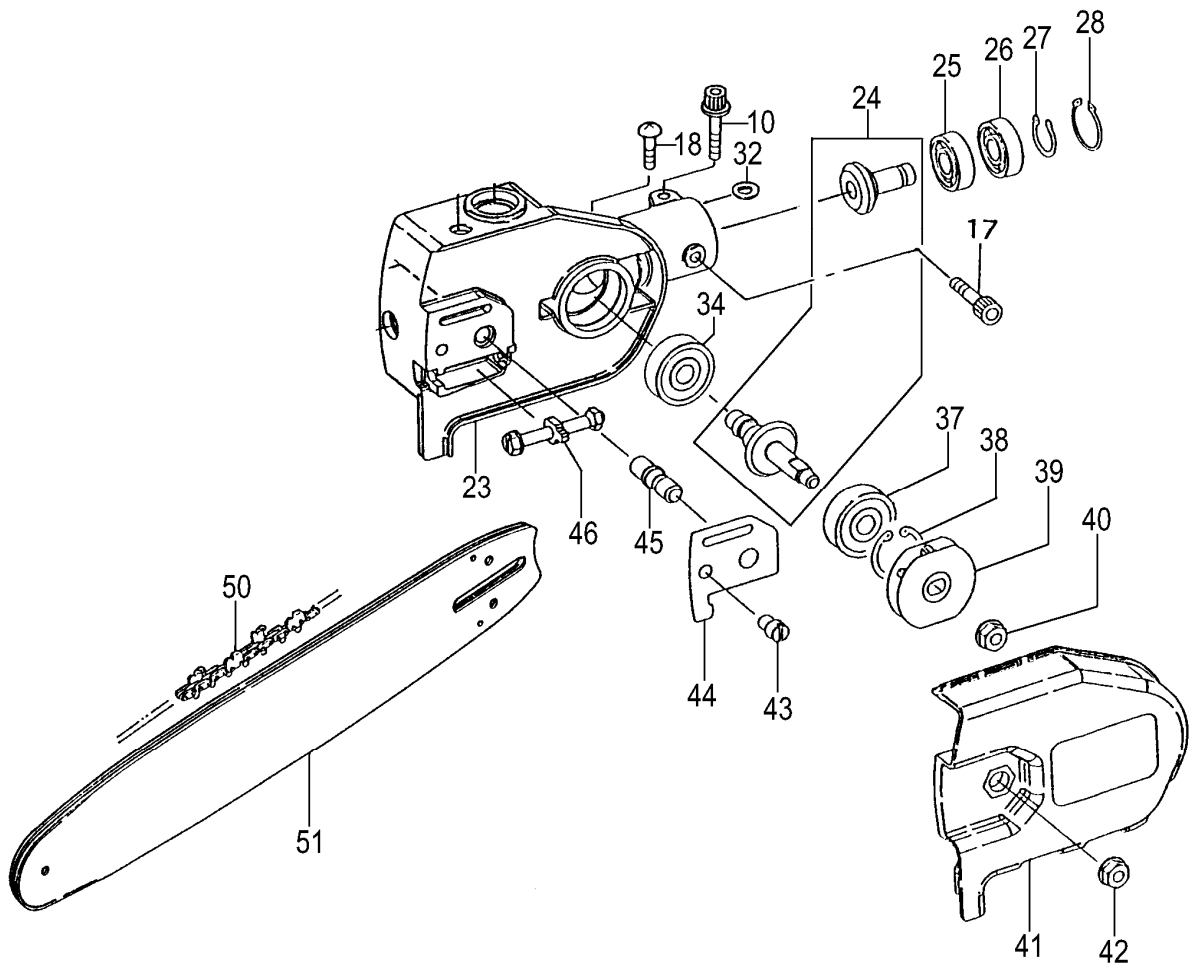
REF. NUMBER	PARTS NUMBER	DESCRIPTION	Q'TY	SERIAL NUMBER
C18-08	THROTTLE LEVER/HANDLE			
001	NLA	No Longer Available	1	
002	668-9307	DRIVE SHAFT PIPE COMP.	1	
003	668-9521	BUSHING ASS'Y	6	
004	668-4835	HEX.NUT 6	2	
005	669-1046	LOOP HANDLE, 24 DIA.,BLACK	1	
006	669-1134	HANDLE BRACKET A	1	
007	669-1098	HANDLE GRIP	1	
008	668-4838	BOLT 6X43/P (BLACK)	2	
010	669-5255	TAPPING SCREW 5X20	1	
011	668-9681	BRAKE SHAFT WASHER	1	
025	669-3764	THROTTLE LEVER ASS'Y, 24 DIA.	1	
083	669-3978	THROTTLE WIRE COMP.	1	
098	668-4721	SAFETY LEVER	1	
100	668-4722	RETURN SPRING	1	
103	669-3807	THROTTLE STOPPER COMP.	1	
110	668-4803	SCREW M5X20	2	
111	668-4727	CONTAL NUT 5	2	
112	668-4725	SCREW M4X20 (BLACK)	4	
125	668-4804	THROTTLE LEVER	1	

# C18-09 GEAR CASE-1



REF. NUMBER	PARTS NUMBER	DESCRIPTION	Q'TY	SERIAL NUMBER
C18-09	GEAR CASE-1			
001	668-6138	OIL TANK COVER	1	
002	668-5961	COLLAR 3	4	
003	669-0084	OIL TANK GASKET	1	
004	669-5661	O-RING P-5	1	
005	668-9757	STEP BOLT A	1	
006	668-6487	OIL PUMP COMP.	1	
007	669-5661	O-RING P-5	1	
008	669-0381	OIL PUMP SPRING	1	
009	668-6608	OIL PUMP PISTON COMP.	1	
011	669-2414	FUEL PIPE 3X5X60	1	
012	669-5402	SCREW 4X12/WS	4	
013	668-4661	WASHER 5	1	
014	669-0919	OIL FILTER	1	
015	669-0913	FILTER ASS'Y	1	
016	669-2415	FUEL PIPE 3X5X75	1	
017	669-5239	8 PUSH NUT	1	Y161651 -
020	669-1066	OIL PUMP ADJUSTER	1	
021	669-5661	O-RING P-5	1	
022	669-5311	STOP RING E-6	1	
030	669-2050	OIL TANK CAP ASS'Y	1	
031	668-6637	BANJO, OIL PUMP	1	
035	669-5670	O-RING P-15	1	
036	669-1399	AIR VENT COVER	1	- U231876
055	669-5187	WASHER 2	1	V196951 -
056	669-5656	O-RING 1.4	1	V196951 -

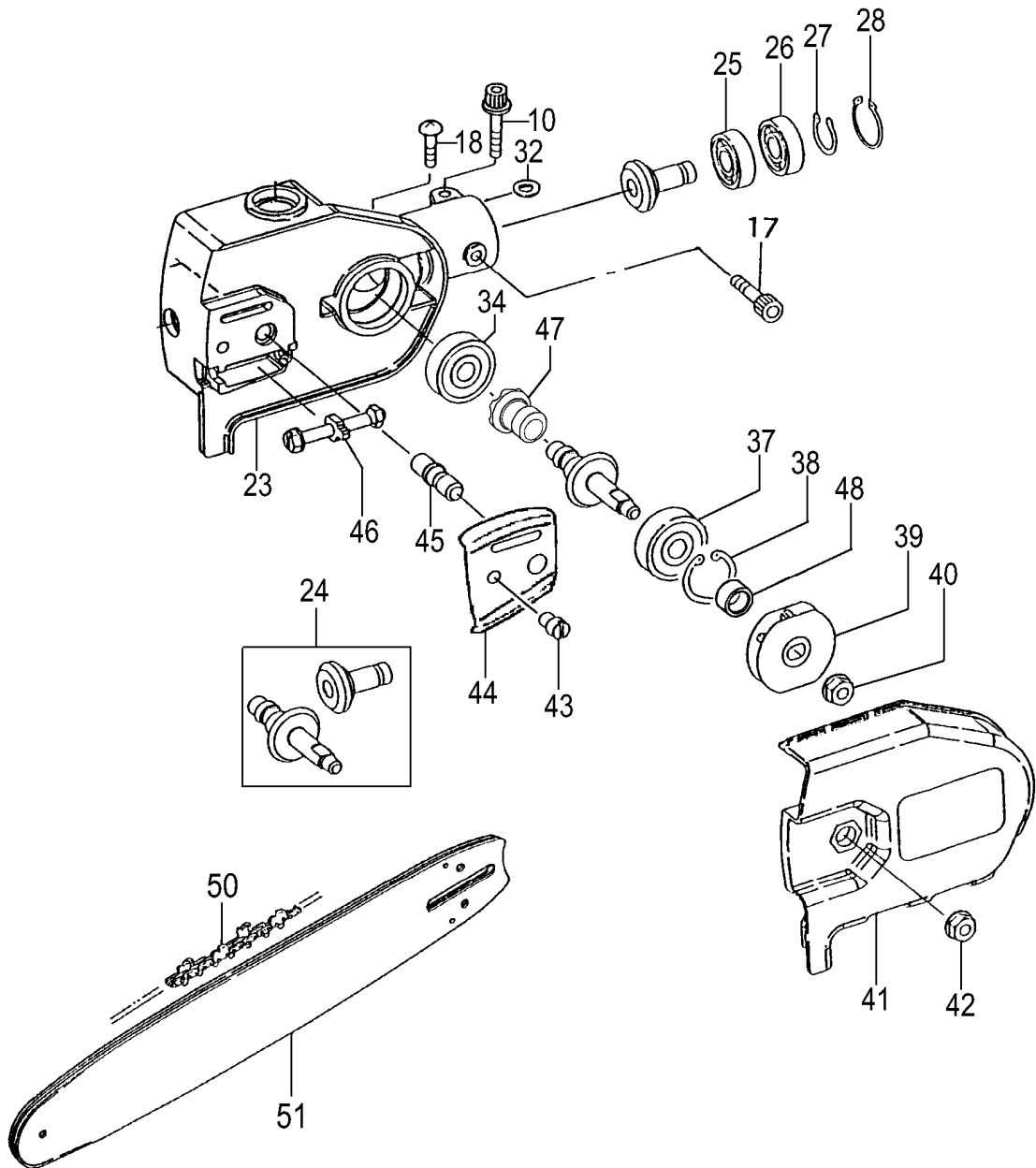
# C18-10 GEAR CASE-2 (SERIAL NO. - Z042300)



REF. NUMBER	PARTS NUMBER	DESCRIPTION	Q'TY	SERIAL NUMBER
C18-10	GEAR CASE-2 (SERIAL NO. - Z042300)			
010	669-5492	HEX. HOLE BOLT 5X22/S	1	
017	669-5042	HEX. HOLE BOLT 5X10	1	
018	669-4922	SCREW 6X6	1	- V095519
018	669-5458	SCREW 6X8	1	V095520 -
023	668-5792	CASE	1	- U231876
023	668-5793	CASE	1	U231877 -
024	668-8835	GEAR/PINION SET, SPARE	1	
025	668-4734	BALL BEARING 609	1	
026	668-4735	BALL BEARING 609Z ST	1	
027	669-5281	STOP RING C-9, OUTER	1	
028	668-4732	STOP RING C-24,INNER	1	
032	669-3248	STARTER PAWL WASHER	1	
034	668-4738	BALL BEARING #608,22MM/OD	1	
037	669-5576	BALL BEARING 638Z	1	
038	668-4741	STOP RING C-28,INNER	1	
039	668-9117	SPROCKET COMP.,3/8	1	
040	669-5170	FLANGE NUT 6	1	
041	668-6038	SIDE COVER COMP.	1	
042	668-7105	CHAIN BAR CLAMP NUT	1	
043	668-7129	GUIDE BAR KNOCK PIN	1	
044	669-0725	GUIDE PLATE	1	
045	668-6802	GUIDE BAR TIGHTENING BOLT	1	
046	668-7063	CHIAN TENSIONER ASS'Y	1	
050	668-7176	SAW CHAIN, 10 INCH, 3/8	1	
051	668-6875	GUIDE BAR, 10 INCH, S/N	1	

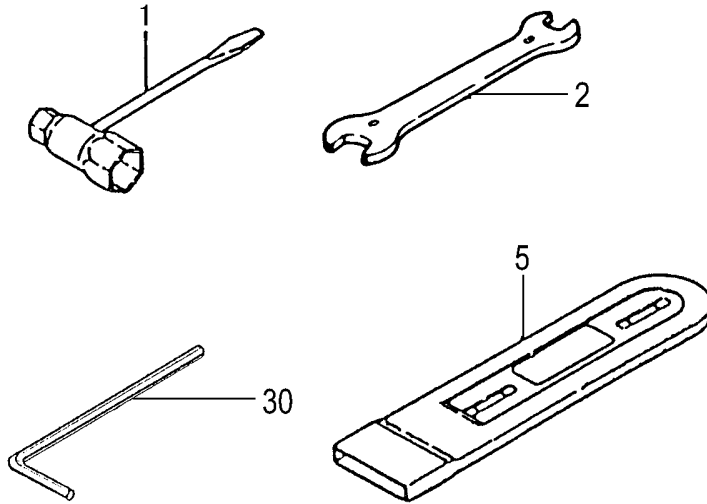


# C18-11 GEAR CASE-2 (SERIAL NO. Z042301 -)



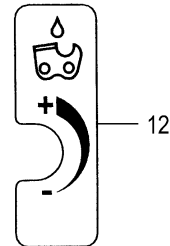
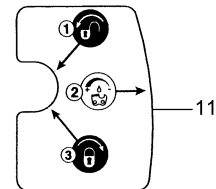
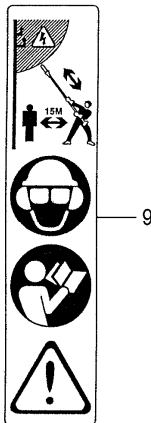
REF. NUMBER	PARTS NUMBER	DESCRIPTION	Q'TY	SERIAL NUMBER
C18-11	GEAR CASE-2 (SERIAL NO. Z042301 -)			
010	669-5492	HEX. HOLE BOLT 5X22/S	1	
017	669-5042	HEX. HOLE BOLT 5X10	1	
018	669-5458	SCREW 6X8	1	
023	668-5793	CASE	1	
024	668-8836	GEAR PINION SET SPARE	1	
025	668-4734	BALL BEARING 609	1	
026	668-4735	BALL BEARING 609Z ST	1	
027	669-5281	STOP RING C-9, OUTER	1	
028	668-4732	STOP RING C-24,INNER	1	
032	669-3248	STARTER PAWL WASHER	1	
034	669-5568	BALL BEARING 627 C3	1	
037	669-5576	BALL BEARING 638Z	1	
038	668-4741	STOP RING C-28,INNER	1	
039	668-9117	SPROCKET COMP.,3/8	1	
040	669-5170	FLANGE NUT 6	1	
041	668-6038	SIDE COVER COMP.	1	
042	668-7105	CHAIN BAR CLAMP NUT	1	
043	668-7130	CHAIN BAR KNOCK PIN	1	
044	669-0726	GUIDE PLATE	1	
045	668-6803	CHAIN BAR TIGHTENING BOLT	1	
046	668-7063	CHIAN TENSIONER ASS'Y	1	
047	669-0428	CAM	1	
048	668-5962	COLLAR	1	
050	668-7176	SAW CHAIN, 10 INCH, 3/8	1	
051	668-6875	GUIDE BAR, 10 INCH, S/N	1	

# C18-12 TOOLS



REF. NUMBER	PARTS NUMBER	DESCRIPTION	Q'TY	SERIAL NUMBER
<b>C18-12 TOOLS</b>				
001	669-3809	COMBI. BOX SPANNER 13X19 M	1	V095520 -
002	668-4766	WRENCH 8X10	1	
005	669-4796	GUIDE BAR COVER, 10	1	
030	668-4813	HEX. BAR WRENCH 4MM	1	

# C18-13 LABELS



REF. NUMBER	PARTS NUMBER	DESCRIPTION	Q'TY	SERIAL NUMBER
C18-13 LABELS				
001	669-4818	PROFORCE MARK A	1	
002	669-4076	NAME PLATE, TPS-2510	1	
003	669-4465	TANAKA MARK	1	
004	668-4851	LEVEL MARK	2	
005	669-4823	PROFORCE MARK B	1	
008	669-4455	SOUND LABEL	1	
009	669-4416	CAUTION MARK	1	
011	669-4578	OIL ADJUSTMENT MARK	1	
012	669-4576	OIL MARK	1	
029	669-4707	SYMBOL MARK B	1	