

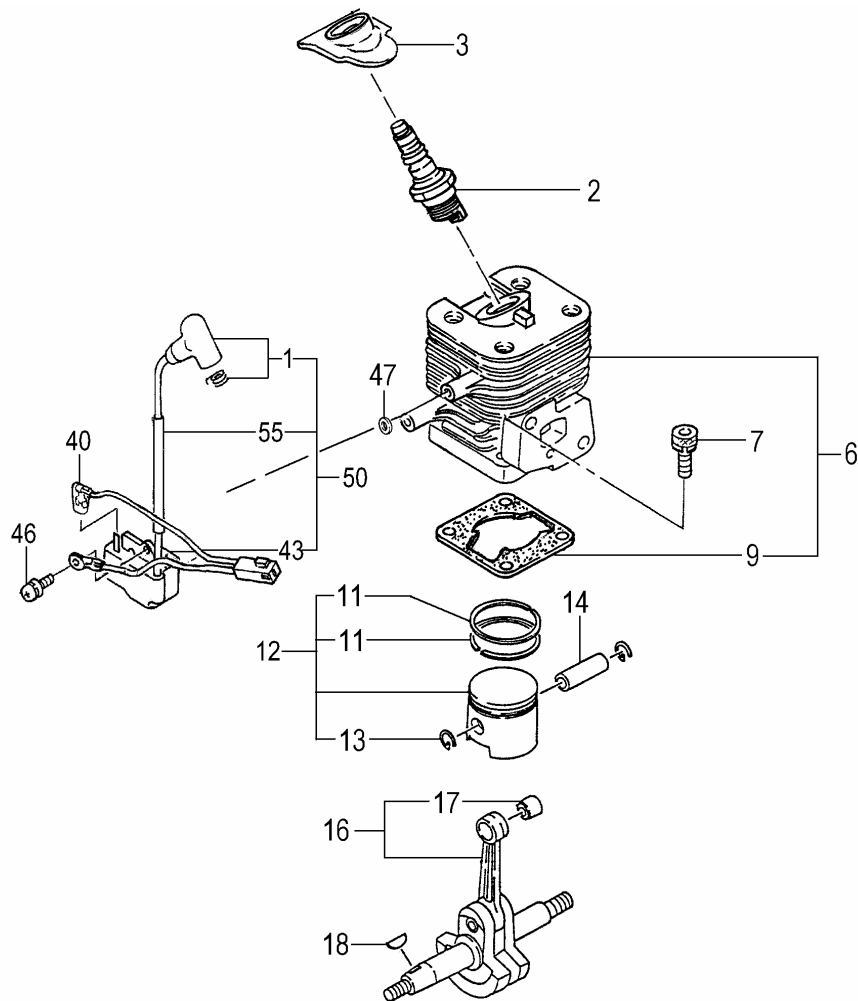
C20

Tanaka

TPS-270PF/PN

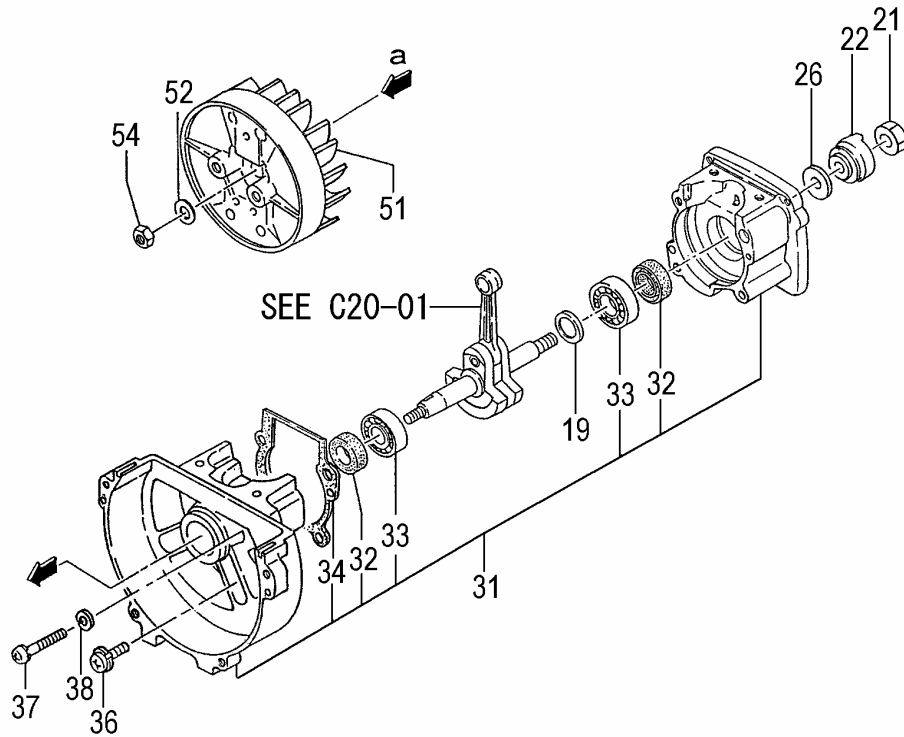
Serial No .-Y245950

C20-01 CYLINDER/PISTON/CRANK SHAFT



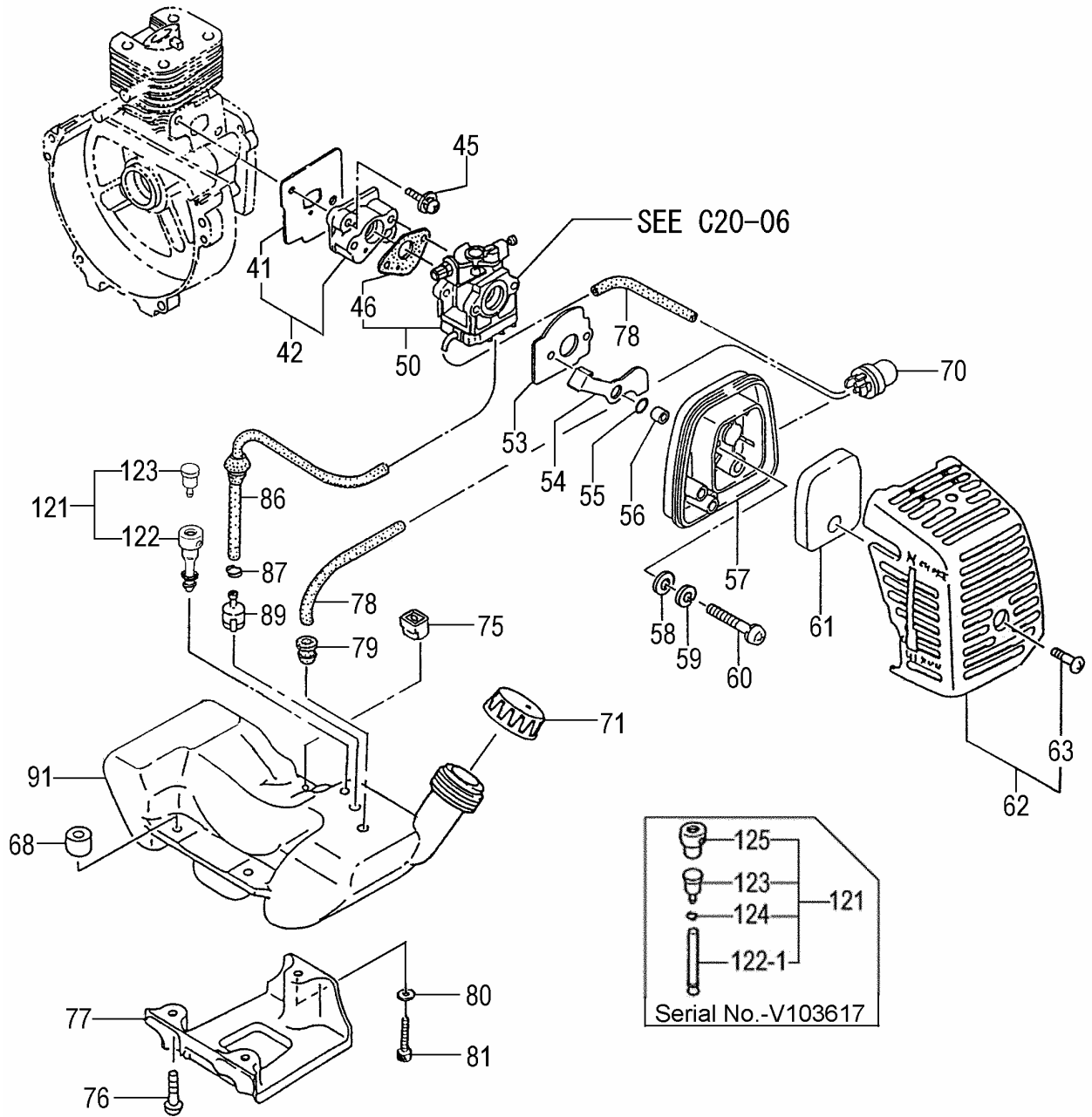
REF. NUMBER	PARTS NUMBER	DESCRIPTION	Q'TY	SERIAL NUMBER
C20-01 CYLINDER/PISTON/CRANK SHAFT				
001	668-4894	PLUG CAP	1	
002	668-5772	SPARK PLUG CJ6Y	1	
003	668-8334	SPARK PLUG RUBBER COVER	1	
006	668-5455	CYLINDER SET	1	
007	668-4586	HEX.HOLE BOLT M5X18/S	4	
009	668-5721	CYLINDER GASKET	1	
011	668-4588	PISTON RING	2	
012	668-5877	PISTON SET	1	
013	668-5078	CIRCLIP	2	
014	668-6011	PISTON PIN	1	
016	668-6168	CRANK SHAFT COMP.	1	
017	669-5592	NEEDLE BRG F-910 1.4X8.5	1	
018	668-4899	WOODRUFF KEY 3X13X4.5	1	
040	668-7965	LEAD WIRE ASS'Y	1	
043	668-7703	IGNITION COIL COMP.	1	
046	669-5407	HIGH TENSION SCREW 4X18WS	2	
047	668-4600	WASHER	2	
050	668-7704	IGNITION COIL ASS'Y	1	
055	668-8316	INSULATOR TUBE	1	

C20-02 CRANK CASE



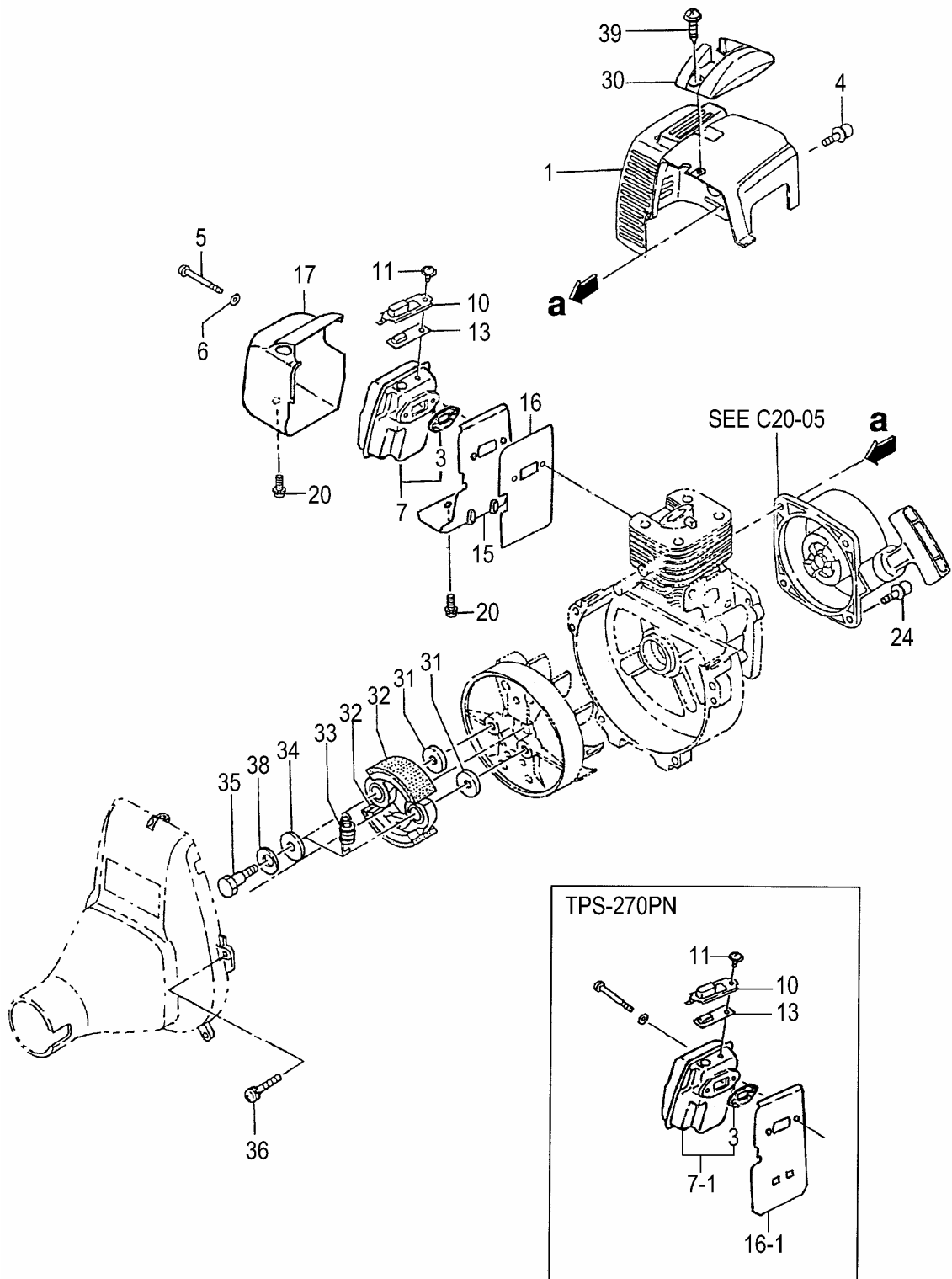
REF. NUMBER	PARTS NUMBER	DESCRIPTION	Q'TY	SERIAL NUMBER
C20-02 CRANK CASE				
019	668-9177	GEAR SHAFT SHIM 0.10	V	
019	668-9178	GEAR SHAFT SHIM 0.15	V	
019	668-4604	GEAR SHAFT SHIM 0.20	V	
019	668-4605	GEAR SHAFT SHIM 0.30	V	
021	668-4612	HEX.NUT M8	1	
022	669-3393	STARTER PULLEY	1	
026	668-9645	CLUTCH WASHER B	1	
031	668-6516	CRANK CASE ASS'Y	1	
032	668-4607	OIL SEAL TB 12227	2	
033	669-5535	BALL BEARING 6001 C3	2	
034	668-6695	CRANK CASE GASKET	1	
036	668-4709	HEX.HOLE BOLT M5X25/S	2	
037	669-5054	HEX. HOLE BOLT 5X40	2	
038	668-4834	SPRING WASHER 5	2	
051	668-7417	MAGNETO ROTOR COMP.	1	
052	669-5184	SMALL WASHER 8	1	
054	668-4612	HEX.NUT M8	1	

C20-03 ENGINE-1



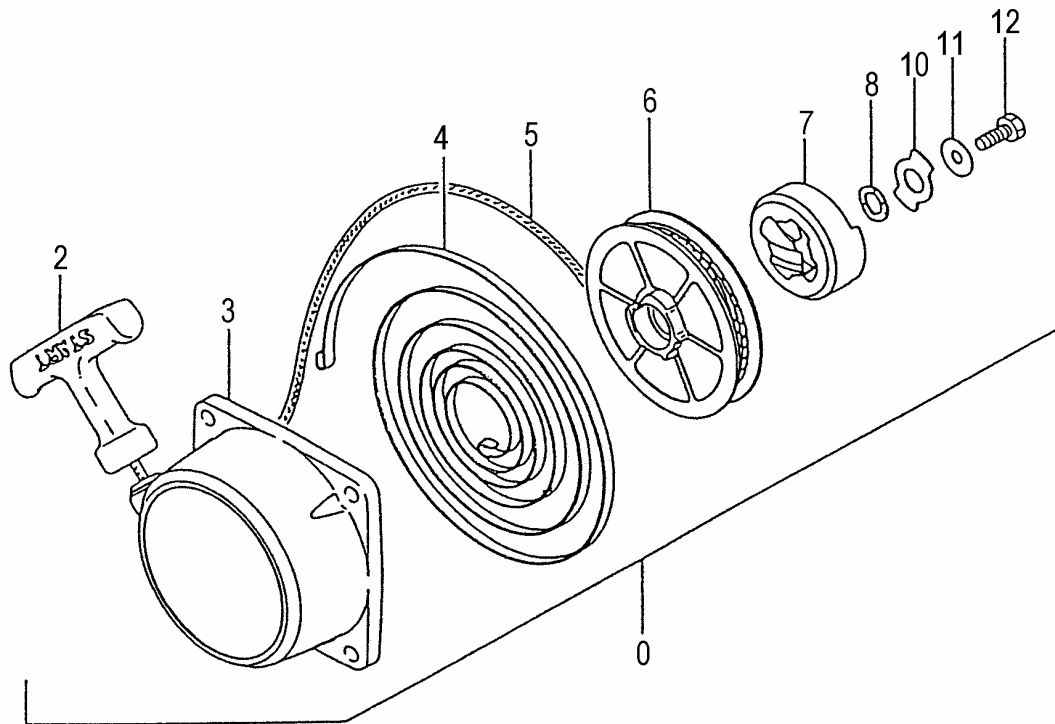
REF. NUMBER	PARTS NUMBER	DESCRIPTION	Q'TY	SERIAL NUMBER
C20-03 ENGINE-1				
041	668-9855	INTAKE MANIFOLD GASKET	1	
042	668-9913	INSULATOR SET,SPARE	1	
045	669-5423	SCREW 5X24WS	2	
046	668-4615	CARBURETOR GASKET	1	
050	669-0459	CARBURETOR SET, SPARE	1	
053	669-0197	CLEANER BASE	1	
054	669-1260	CHOKE VALVE 1.5	1	
055	669-5667	O-RING S-8	1	
056	669-0803	CLEANER COLLAR	1	
057	669-0117	CLEANER BODY COMP.	1	
058	668-4864	SMALL WASHER 5	2	
059	668-4662	S.WASHER 5	2	
060	668-4660	SCREW M5X60	2	
061	669-0362	CLEANER SPONGE	1	
062	669-0401	CLEANER COVER SET	1	
063	668-9737	SPECIAL SCREW	1	
068	668-4623	COLLAR C	3	
070	668-5139	PRIMING PUMP COMP.	1	
071	669-1746	TANK CAP ASS'Y	1	
075	669-2182	TANK FIXING COLLAR	1	
076	668-4634	HEX.HOLE BOLT 5X20/PS	2	
077	669-4785	ENGINE BED	1	
078	669-2347	FUEL PIPE 2.5X4X80	2	
079	668-4627	RETURN GROMMET	1	
080	668-4918	WASHER M5	1	
081	668-4786	HEX. SOCKET HD. BOLT M5X30 S	1	
086	668-8169	FUEL PIPE ASS'Y	1	
087	668-4619	CLIP,6.3 DIA.	1	
089	668-4620	PUMP FILTER BODY COMP.	1	
091	669-1509	FUEL TANK, VERMILION	1	
121	669-1389	AIR VENT	1	
122,1	668-9994	AIR VENT PIPE	1	- V103617
122	669-1395	AIR VENT PIPE	1	V103618 -
123	669-2171	AIR VENT VALVE ASS'Y	1	
124	668-4619	CLIP,6.3 DIA.	1	- V103617
125	669-1369	AIR VENT RUBBER CAP	1	- V103617

C20-04 ENGINE-2



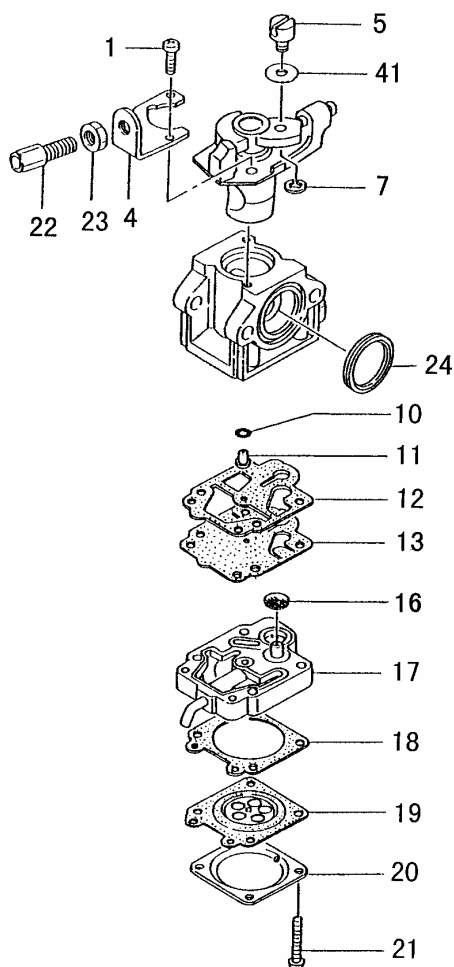
REF. NUMBER	PARTS NUMBER	DESCRIPTION	Q'TY	SERIAL NUMBER
C20-04 ENGINE-2				
001	669-2771	MUFFLER PROTECTOR	1	
003	669-2732	MUFFLER GASKET	1	- Y289050
003	669-2733	MUFFLER GASKET	1	Y289051 -
004	669-5375	SCREW 4X18/PS	2	
005	669-5088	HEX. HOLE BUTTON SCREW 6X65	2	
006	668-4639	WASHER 6	2	
007,1	669-2441	MUFFLER SET, SPARE	1	- Y289050
007	669-2440	MUFFLER SET	1	Y289051 -
010	669-2652	TAIL PIPE	1	
011	669-5471	SCREW 4X8PS	1	
013	669-2696	MUFFLER ARRESTOR	1	
015	669-2722	MUFFLER COVER B	1	- Y289050
016,1	668-7236	HEAT SHIELD	1	- Y289050
016	668-7235	HEAT SHIELD	1	Y289051 -
017	669-2717	MUFFLER COVER A COMP.	1	- Y289050
020	669-5380	SCREW 5X10/PS	2	- Y289050
024	669-5372	SCREW 4X14/PS	2	
030	668-8343	PLUG CAP	1	
031	668-4642	CLUTCH WASHER B	2	
032	668-4643	CLUTCH SHOE COMP.	2	
033	668-4644	CLUTCH SPRING	1	
034	668-9528	CLUTCH PLATE A	2	
035	668-4646	STEP BOLT	2	
036	669-5418	SCREW 5X16/WS	4	
038	668-4648	BENT WASHER 8	2	
039	668-4636	TAPPING SCREW D4.5X16	1	

C20-05 RECOIL STARTER



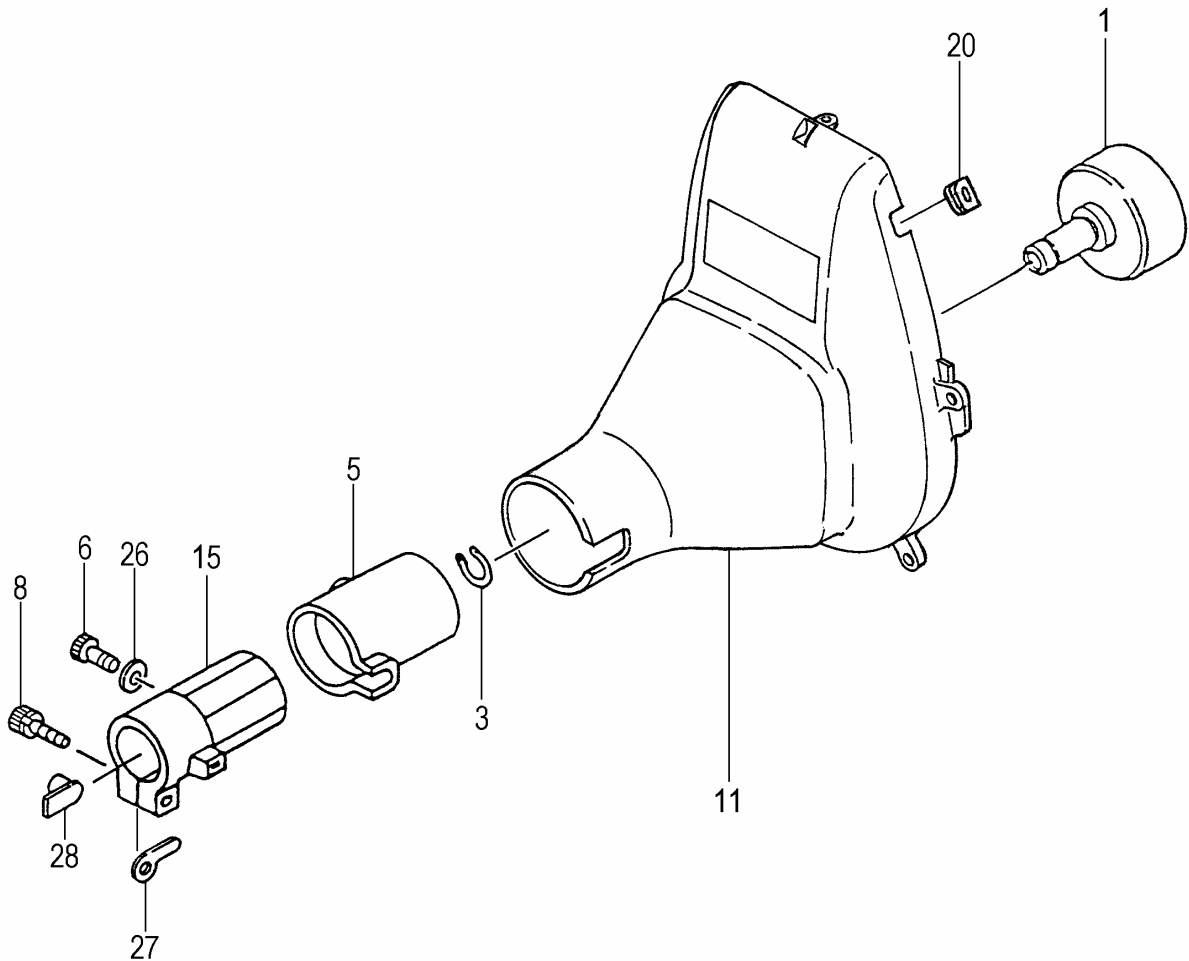
REF. NUMBER	PARTS NUMBER	DESCRIPTION	Q'TY	SERIAL NUMBER
C20-05 RECOIL STARTER				
000	669-2962	RECOIL STARTER BODY ASS'Y	1	
002	669-3224	STARTER HANDLE	1	
003	669-3019	RECOIL STARTER BODY COMP.	1	
004	669-3129	RECOIL SPRING	1	
005	669-3152	STARTER ROPE	1	
006	669-3053	STARTER PULLEY	1	- Y245850
006	669-3058	STARTER PULLEY	1	Y245851 -
007	669-3298	STARTER PAWL	1	- Y245850
007	669-3303	STARTER PAWL	1	Y245851 -
008	669-3420	STARTER REEL WASHER	1	
010	669-3625	FRICITION PLATE	1	- Y245850
010	669-3623	FRICITION PLATE	1	Y245851 -
011	669-3565	STARTER REEL SHIM	1	- Y245850
011	669-3564	STARTER PAWL SHIM	1	Y245851 -
012	669-3635	SET BOLT	1	

C20-06 CARBURETOR



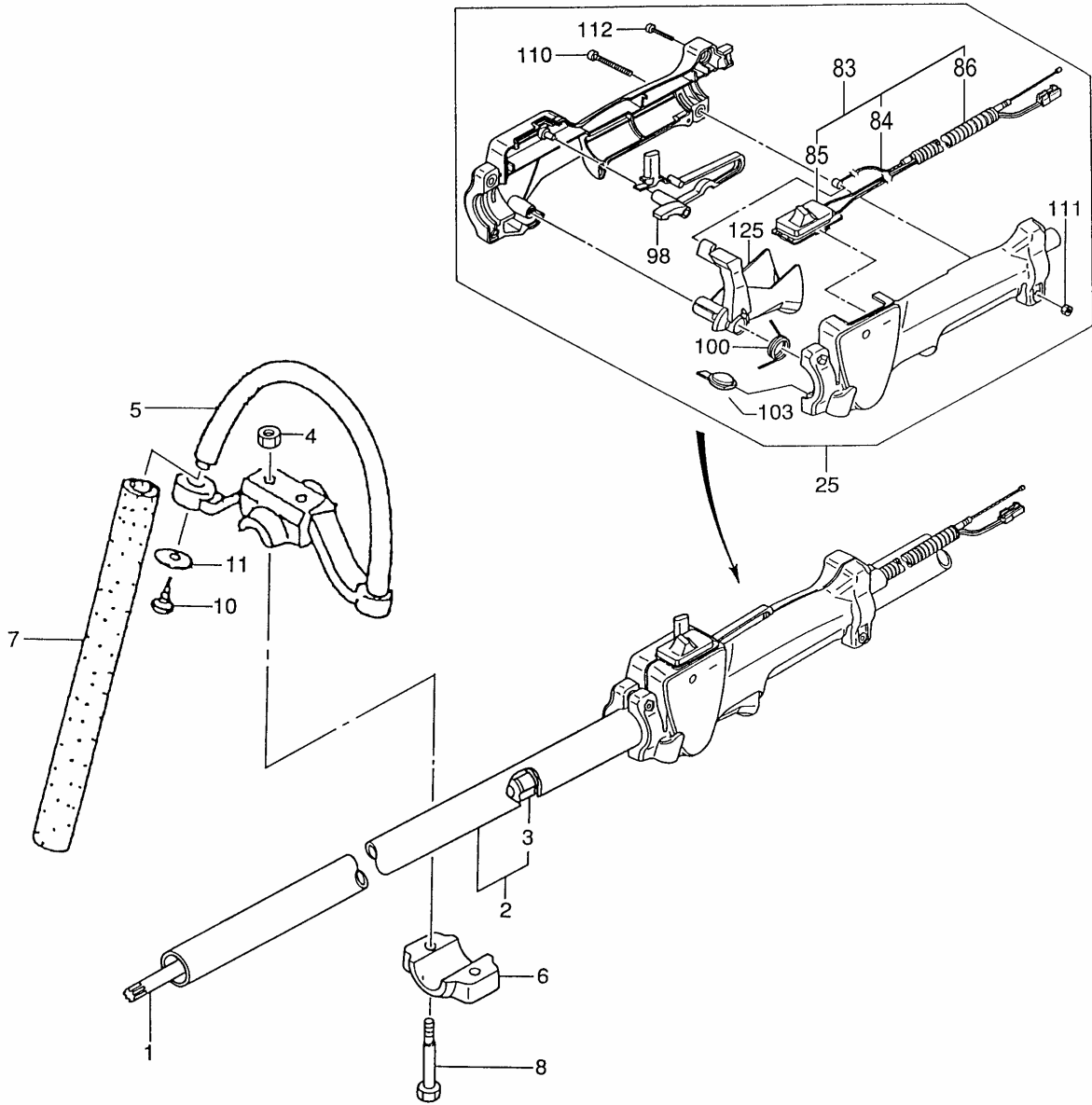
REF. NUMBER	PARTS NUMBER	DESCRIPTION	Q'TY	SERIAL NUMBER
C20-06 CARBURETOR				
001	668-4870	THROTTLE SET SCREW	2	
004	668-4873	CABLE ADJUSTER STAY	1	
005	668-4697	SWIVEL	1	
007	668-4696	STOP RING	1	
010	668-4695	O-RING	1	
011	669-1874	LONG MAIN JET #38	1	
012	669-1457	PUMP GASKET	1	
013	668-4693	PUMP DIAPHRAGM	1	
016	668-4700	INLET SCREEN	1	
017	669-1430	PUMP BODY COMP.	1	
018	668-5220	DIAPHRAGM PACKING	1	
019	669-0827	METERING DIAPHRAGM COMP.	1	
020	668-5222	DIAPHRAGM COVER	1	
021	669-1312	SET SCREW	4	
022	668-4871	CABLE ADJUSTER	1	
023	669-2005	CABLE ADJUST NUT	1	
024	668-4875	CLEANER PACKING	1	
041	668-4874	THRUST WASHER	1	
	669-2190	CARB.REPAIR KIT,K20WYJ	1	
	669-2199	REPAIR KIT DIAPHRAGM,,D20W	1	

C20-07 FAN CASE



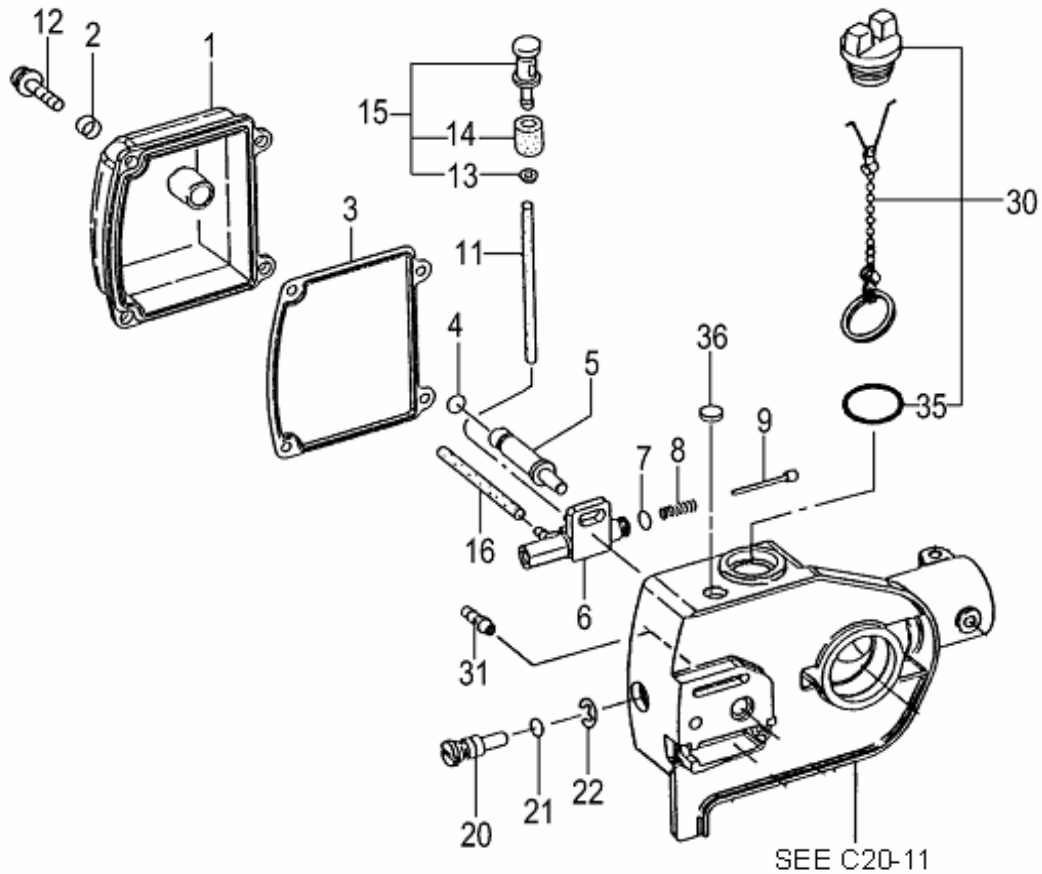
REF. NUMBER	PARTS NUMBER	DESCRIPTION	Q'TY	SERIAL NUMBER
C20-07 FAN CASE				
001	668-8574	CLUTCH DRUM COMP.	1	
003	668-4664	STOP RING C-12 OUTER	1	
005	669-1823	CUSHION RUBBER	1	
006	669-5046	HEX. HOLE BOLT 5X16	1	
008	668-4709	HEX.HOLE BOLT M5X25/S	1	
011	668-6943	FAN CASE COMP.	1	
015	668-9651	PIPE HOLDER, TPE	1	
020	668-8057	PRIMARY CORD GROMMET	1	
026	668-4918	WASHER M5	1	
027	668-9159	GEAR CASE WASHER	1	
028	668-9664	METAL FITTING	1	

C20-08 HANDLE



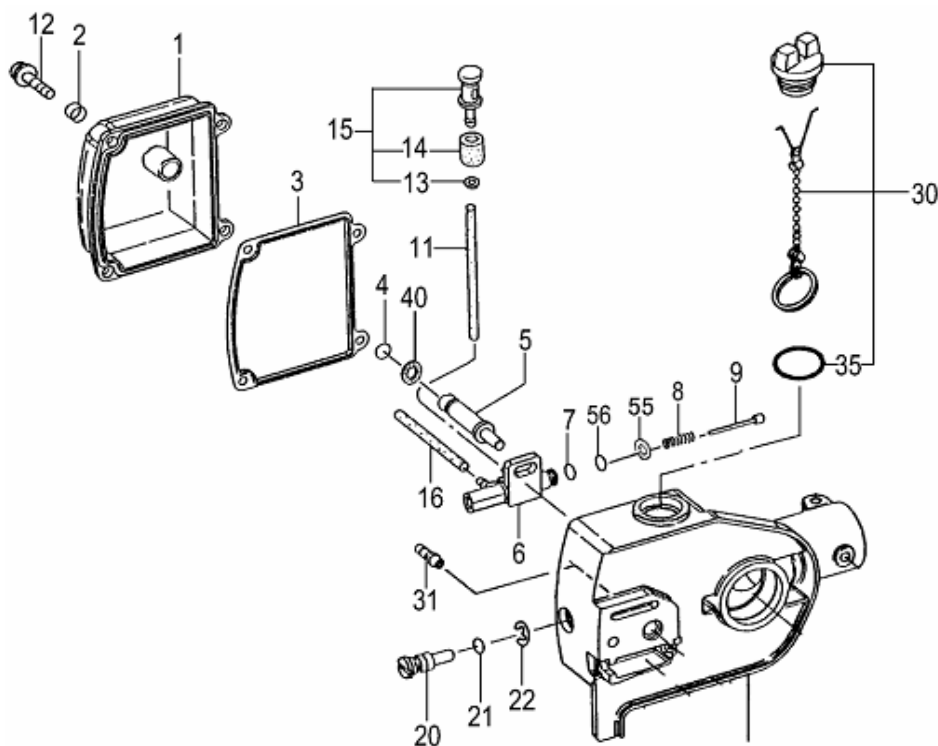
REF. NUMBER	PARTS NUMBER	DESCRIPTION	Q'TY	SERIAL NUMBER
C20-08 HANDLE				
001	NLA	Not Longer Available	1	
002	668-9308	DRIVE SHAFT PIPE COMP.	1	
003	668-9516	BUSHING ASS'Y	6	
004	668-4835	HEX.NUT 6	2	
005	669-1046	LOOP HANDLE, 24 DIA.,BLACK	1	
006	669-1134	HANDLE BRACKET A	1	
007	669-1098	HANDLE GRIP	1	
008	668-4838	BOLT 6X43/P (BLACK)	2	
010	669-5255	TAPPING SCREW 5X20	1	
011	668-9681	BRAKE SHAFT WASHER	1	
025	669-3767	THROTTLE LEVER ASS'Y 24 DIA.	1	
083	669-3978	THROTTLE WIRE COMP.	1	
084	669-4022	THROTTLE WIRE	1	
085	668-7459	STOP SWITCH COMP.	1	
086	668-7526	PROTECTION TUBE 7X175	1	
098	668-4721	SAFETY LEVER	1	
100	668-4722	RETURN SPRING	1	
103	668-4724	BLIND PLUG	1	
110	668-4803	SCREW M5X20	2	
111	668-4727	CONTAL NUT 5	2	
112	668-4725	SCREW M4X20 (BLACK)	4	
125	668-4804	THROTTLE LEVER	1	

C20-09 GEAR CASE-1(SERIAL NO.-V103617)



REF. NUMBER	PARTS NUMBER	DESCRIPTION	Q'TY	SERIAL NUMBER
C20-09 GEAR CASE-1(SERIAL NO.-V103617)				
001	668-6138	OIL TANK COVER	1	
002	668-5961	COLLAR 3	4	
003	669-0083	OIL TANK GASKET	1	
004	669-5661	O-RING P-5	1	
005	668-9757	STEP BOLT A	1	
006	668-6486	OIL PUMP COMP.	1	
007	669-5661	O-RING P-5	1	
008	669-0381	OIL PUMP SPRING	1	
009	668-6607	OIL PUMP PISTON COMP.	1	
011	669-2414	FUEL PIPE 3X5X60	1	
012	669-5402	SCREW 4X12/WS	4	
013	668-4661	WASHER 5	1	
014	669-0919	OIL FILTER	1	
015	668-5249	OIL FILTER BODY ASS'Y	1	
016	669-2415	FUEL PIPE 3X5X75	1	
020	669-1066	OIL PUMP ADJUSTER	1	
021	669-5661	O-RING P-5	1	
022	669-5311	STOP RING E-6	1	
030	669-2050	OIL TANK CAP ASS'Y	1	
031	668-6637	BANJO, OIL PUMP	1	
035	669-5670	O-RING P-15	1	
036	669-1399	AIR VENT COVER	1	- U207402

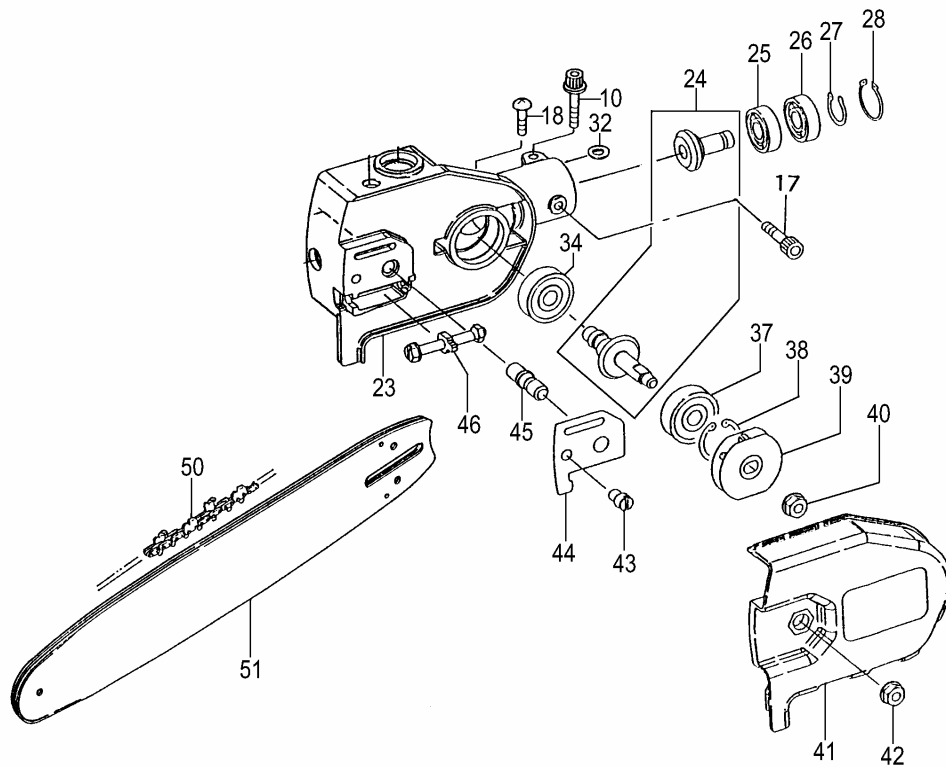
C20-10 GEAR CASE-1(SERIAL NO.V103618-)



SEE C20-12

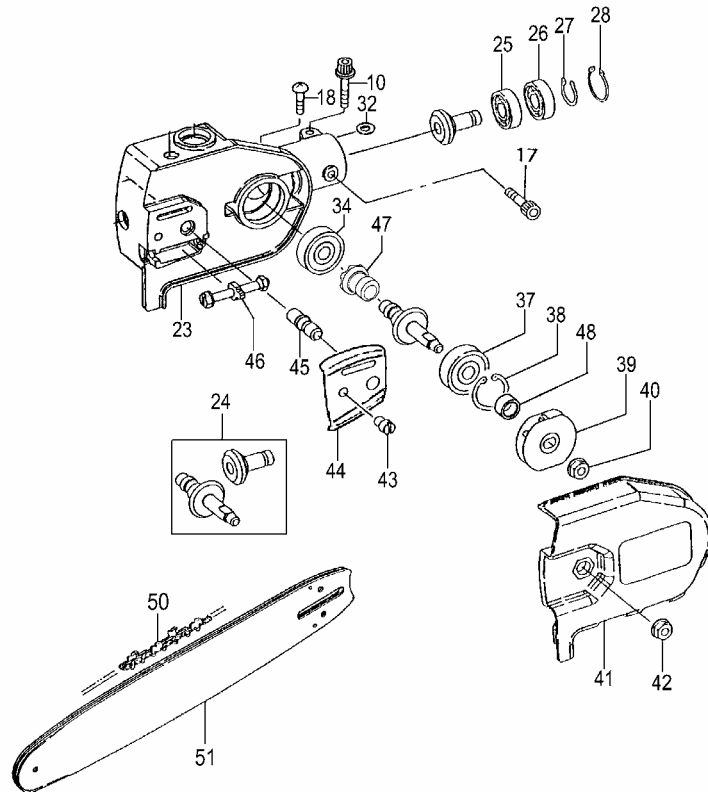
REF. NUMBER	PARTS NUMBER	DESCRIPTION	Q'TY	SERIAL NUMBER
C20-10 GEAR CASE-1(SERIAL NO.V103618-)				
001	668-6138	OIL TANK COVER	1	
002	668-5961	COLLAR 3	4	
003	669-0084	OIL TANK GASKET	1	
004	669-5661	O-RING P-5	1	
005	668-9757	STEP BOLT A	1	
006	668-6487	OIL PUMP COMP.	1	
007	669-5661	O-RING P-5	1	
008	669-0381	OIL PUMP SPRING	1	
009	668-6608	OIL PUMP PISTON COMP.	1	
011	669-2414	FUEL PIPE 3X5X60	1	
012	669-5403	SMALL SCREW 4X12WS	4	
013	668-4661	WASHER 5	1	
014	669-0917	OIL FILTER	1	
015	669-0913	FILTER ASS'Y	1	
016	669-2415	FUEL PIPE 3X5X75	1	
020	669-1066	OIL PUMP ADJUSTER	1	
021	669-5661	O-RING P-5	1	
022	669-5311	STOP RING E-6	1	
030	669-2050	OIL TANK CAP ASS'Y	1	
031	668-6637	BANJO, OIL PUMP	1	
035	669-5670	O-RING P-15	1	
040	669-5239	8 PUSH NUT	1	
055	669-5187	WASHER 2	1	
056	669-5656	O-RING 1.4	1	

C20-11 GEAR CASE-2(SERIAL NO.-V103617)



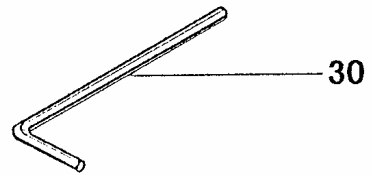
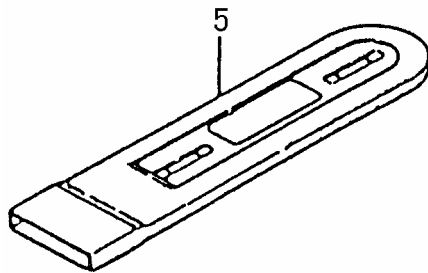
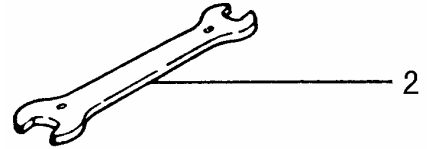
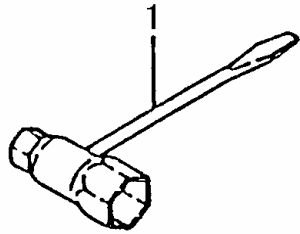
REF. NUMBER	PARTS NUMBER	DESCRIPTION	Q'TY	SERIAL NUMBER
C20-11 GEAR CASE-2(SERIAL NO.-V103617)				
010	669-5492	HEX. HOLE BOLT 5X22/S	1	- U207402 U207403 -
017	669-5042	HEX. HOLE BOLT 5X10	1	
018	669-4922	SCREW 6X6	1	
023	668-5792	CASE	1	
023	668-5793	CASE	1	
024	668-8835	GEAR/PINION SET, SPARE	1	
025	668-4734	BALL BEARING 609	1	
026	668-4735	BALL BEARING 609Z ST	1	
027	669-5281	STOP RING C-9, OUTER	1	
028	668-4732	STOP RING C-24,INNER	1	
032	669-3248	STARTER PAWL WASHER	1	
034	668-4738	BALL BEARING #608,22MM/OD	1	
037	669-5576	BALL BEARING 638Z	1	
038	668-4741	STOP RING C-28,INNER	1	
039	668-9117	SPROCKET COMP.,3/8	1	
040	669-5170	FLANGE NUT 6	1	
041	668-6038	SIDE COVER COMP.	1	
042	668-7105	CHAIN BAR CLAMP NUT	1	
043	668-7129	GUIDE BAR KNOCK PIN	1	
044	669-0725	GUIDE PLATE	1	
045	668-6802	GUIDE BAR TIGHTENING BOLT	1	
046	668-7063	CHIAN TENSIONER ASS'Y	1	
050	668-7176	SAW CHAIN, 10 INCH, 3/8	1	
051	668-6875	GUIDE BAR, 10 INCH, S/N	1	

C20-12 GEAR CASE-2(SERIAL NO.V103618-)



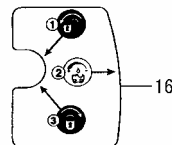
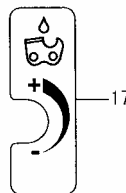
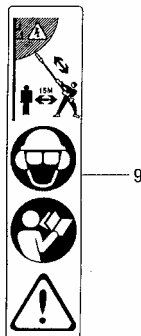
REF. NUMBER	PARTS NUMBER	DESCRIPTION	Q'TY	SERIAL NUMBER
C20-12 GEAR CASE-2(SERIAL NO.V103618-)				
010	669-5492	HEX. HOLE BOLT 5X22/S		
017	669-5042	HEX. HOLE BOLT 5X10		
018	669-5458	SCREW 6X8		
023	668-5793	CASE		
024	668-8836	GEAR PINION SET SPARE		
025	668-4734	BALL BEARING 609		
026	668-4735	BALL BEARING 609Z ST		
027	669-5281	STOP RING C-9, OUTER		
028	668-4732	STOP RING C-24,INNER		
032	669-3248	STARTER PAWL WASHER		
034	669-5568	BALL BEARING 627 C3		
037	669-5576	BALL BEARING 638Z		
038	668-4741	STOP RING C-28,INNER		
039	668-9117	SPROCKET COMP.,3/8		
040	669-5170	FLANGE NUT 6		
041	668-6038	SIDE COVER COMP.		
042	668-7105	CHAIN BAR CLAMP NUT		
043	668-7130	CHAIN BAR KNOCK PIN		
044	669-0726	GUIDE PLATE		
045	668-6803	CHAIN BAR TIGHTENING BOLT		
046	668-7063	CHIAN TENSIONER ASS'Y		
047	669-0428	CAM		
048	668-5962	COLLAR		
050	668-7176	SAW CHAIN, 10 INCH, 3/8		
051	668-6875	GUIDE BAR, 10 INCH, S/N		

C20-13 TOOLS



REF. NUMBER	PARTS NUMBER	DESCRIPTION	Q'TY	SERIAL NUMBER
C20-13 TOOLS				
001	883-32600-20	COMBI. BOX SPANNER 13X19 MI	1	U207403 -
002	801-20000-20	WRENCH 8X10	1	
005	941-32333-20	GUIDE BAR COVER, 10	1	
030	813-20000-20	HEX. BAR WRENCH 4MM	1	

C20-14 LABELS



REF. NUMBER	PARTS NUMBER	DESCRIPTION	Q'TY	SERIAL NUMBER
C20-14 LABELS				
001	N/A	Not Available	1	
002	N/A	Not Available	1	
004	N/A	Not Available	2	
005	N/A	Not Available	1	- U207402
009	N/A	Not Available	1	- Y289050
010	N/A	Not Available	1	Y289051 -
011	N/A	Not Available	1	
015	N/A	Not Available	1	Y289051 -
016	N/A	Not Available	1	Y289051 -
017	N/A	Not Available	1	Y289051 -
020	N/A	Not Available	1	Y289051 -
021	N/A	Not Available	1	
029	N/A	Not Available	1	- Y289050
041	N/A	Not Available	1	- Y289050