

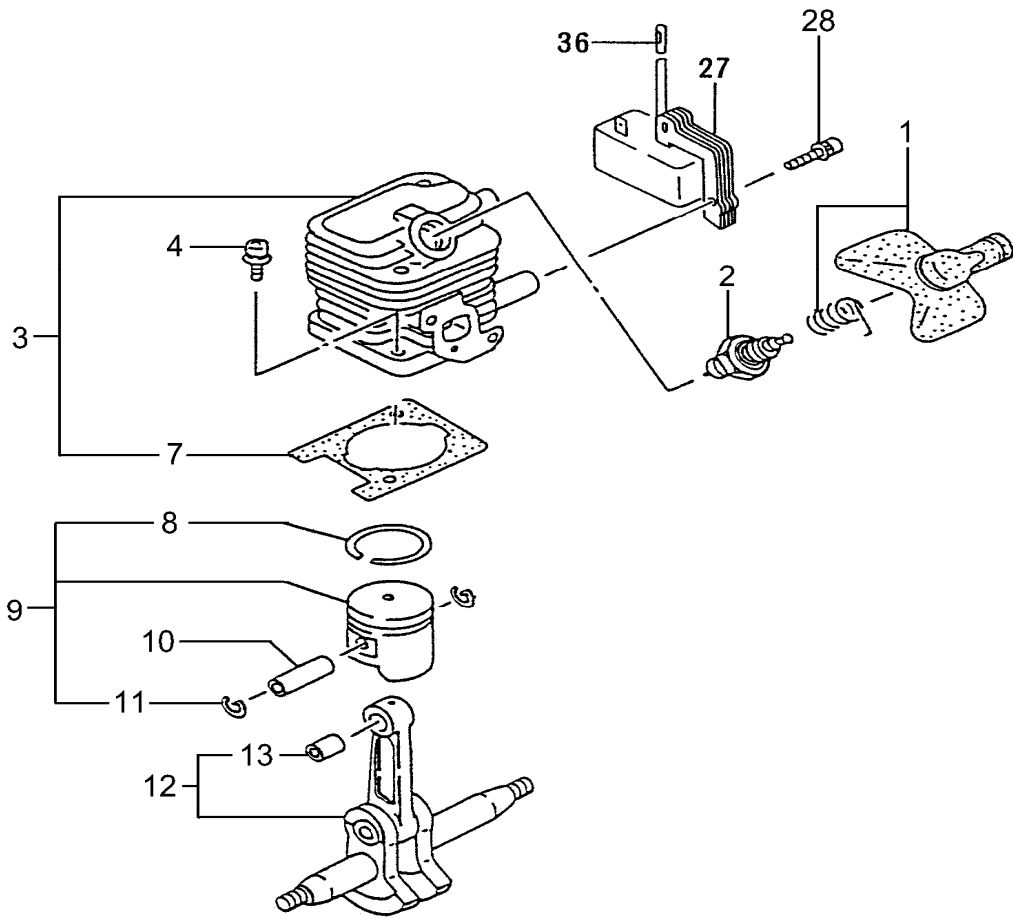
**S01**

***Tanaka***

**TCP-210**

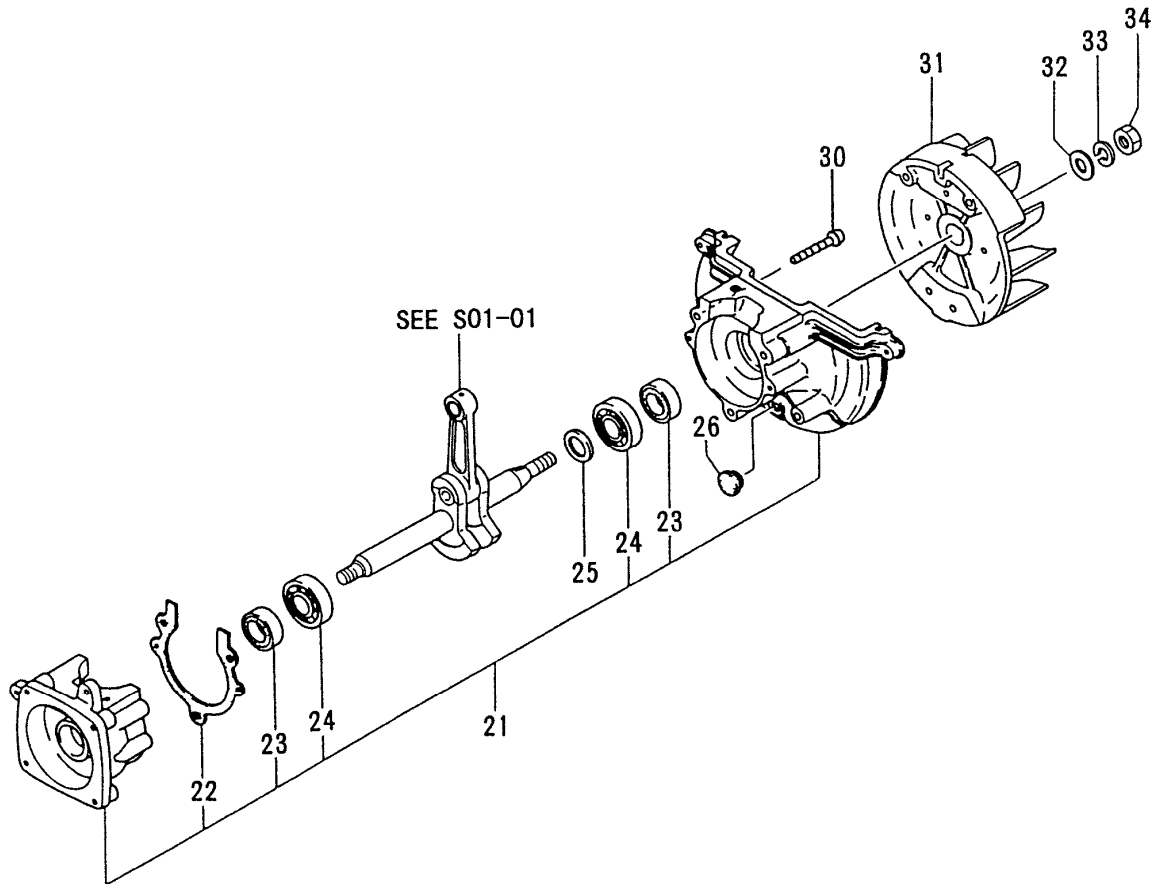
**Serial No. - Y200000**

# S01-01 CYLINDER/PISTON/CRANK SHAFT



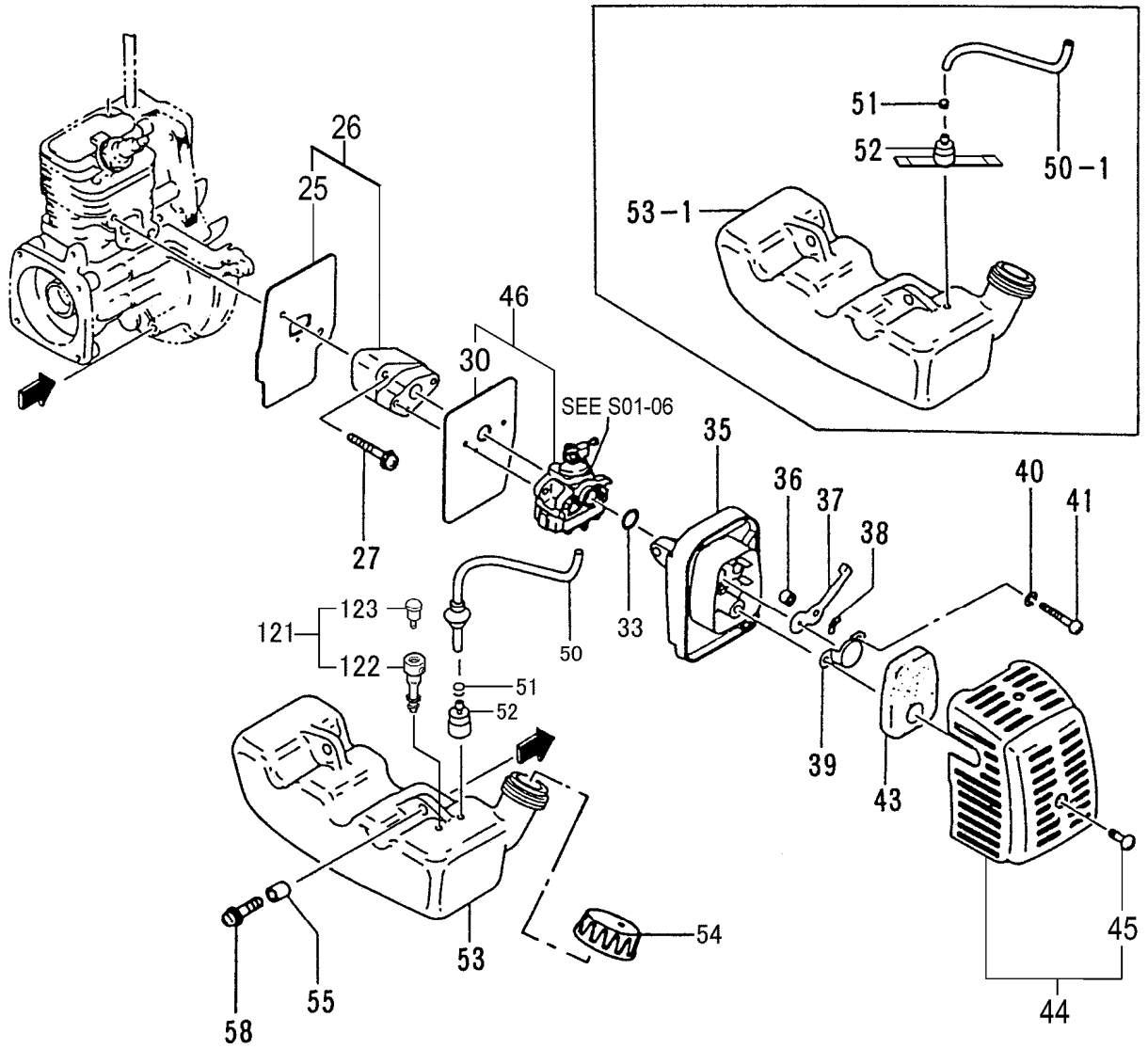
REF. NUMBER	PARTS NUMBER	DESCRIPTION	Q'TY	SERIAL NUMBER
<b>S01-01 CYLINDER/PISTON/CRANK SHAFT</b>				
001	668-7476	SPARK PLUG CAP ASS'Y	1	
002	668-5780	SPARK PLUG BPM-7A	1	
003	668-5479	CYLINDER SET	1	- S256170
003	668-5480	CYLINDER SET	1	S256171 -
004	669-5420	SCREW 5X20/WS	2	
007	668-5744	CYLINDER GASKET	1	
008	668-6118	PISTON RING	1	
009	668-5891	PISTON SET, SPARE	1	- S256170
009	668-5892	PISTON SET	1	S256171 -
010	668-6015	PISTON PIN	1	
011	668-6028	PISTON PIN CIRCLIP	2	
012	668-6206	CRANK SHAFT COMP.	1	
013	669-5589	NEEDLE BRG F-810 1.4X8.5	1	
027	668-7698	IGNITION COIL COMP.	1	
028	669-5407	HIGH TENSION SCREW 4X18WS	2	
036	668-4597	INSULATOR TUBE 50L	1	

# S01-02 CRANK CASE



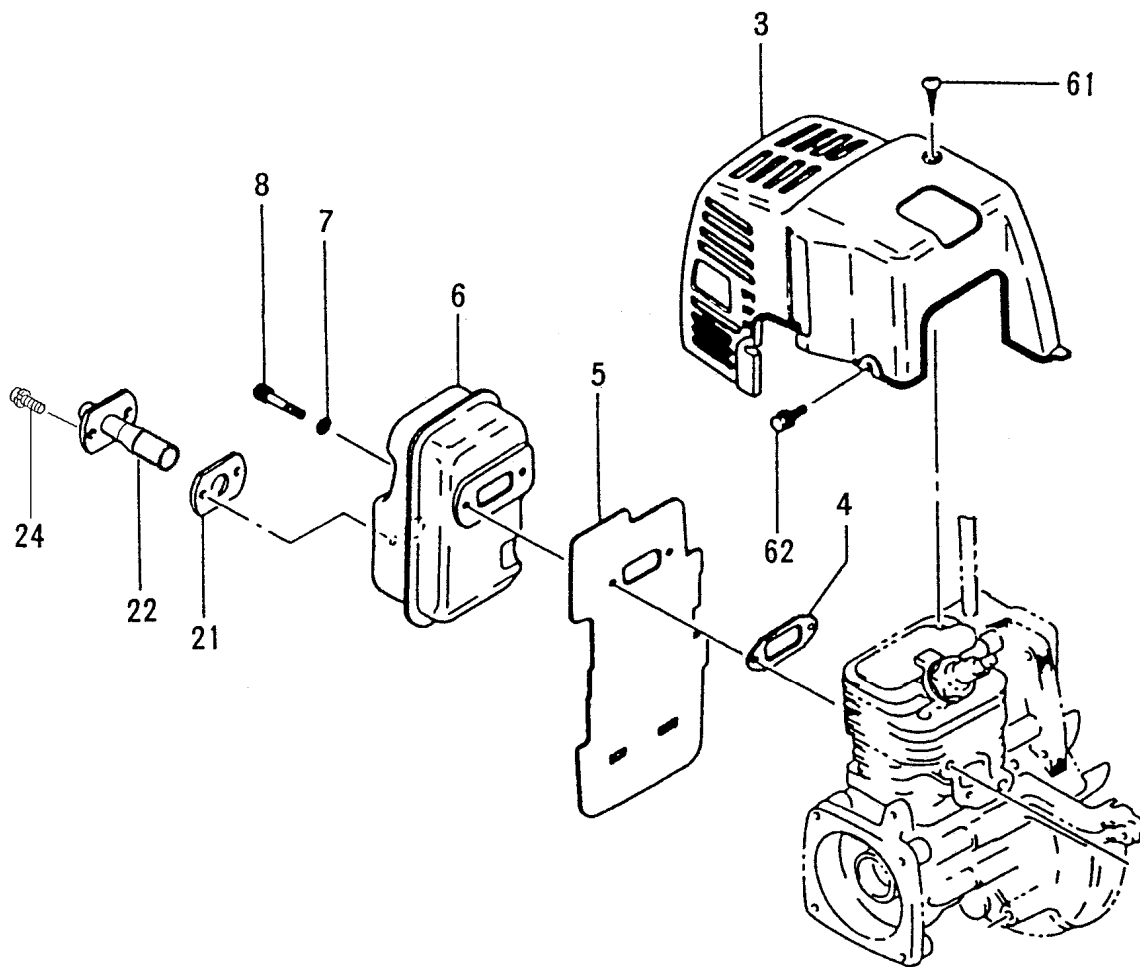
REF. NUMBER	PARTS NUMBER	DESCRIPTION	Q'TY	SERIAL NUMBER
<b>S01-02 CRANK CASE</b>				
021	668-6576	CRANK CASE ASS'Y	1	
022	668-6720	CRANKCASE GASKET	1	
023	669-5627	OIL SEAL ISCD12227	2	
024	669-5530	BALL BEARING #6001, 28MM/OD	2	
025	668-9177	GEAR SHAFT SHIM 0.10	V	
025	668-9178	GEAR SHAFT SHIM 0.15	V	
025	668-4604	GEAR SHAFT SHIM 0.20	V	
025	668-4605	GEAR SHAFT SHIM 0.30	V	
026	669-1822	ANTI-VIBE RUBBER	1	
030	669-5345	SCREW 5X30/S	3	
031	668-7389	MAGNETO ROTOR COMP.	1	
032	668-4611	WASHER M8	1	
033	668-4971	S.WASHER 8	1	
034	668-4612	HEX.NUT M8	1	

# S01-03 ENGINE-1



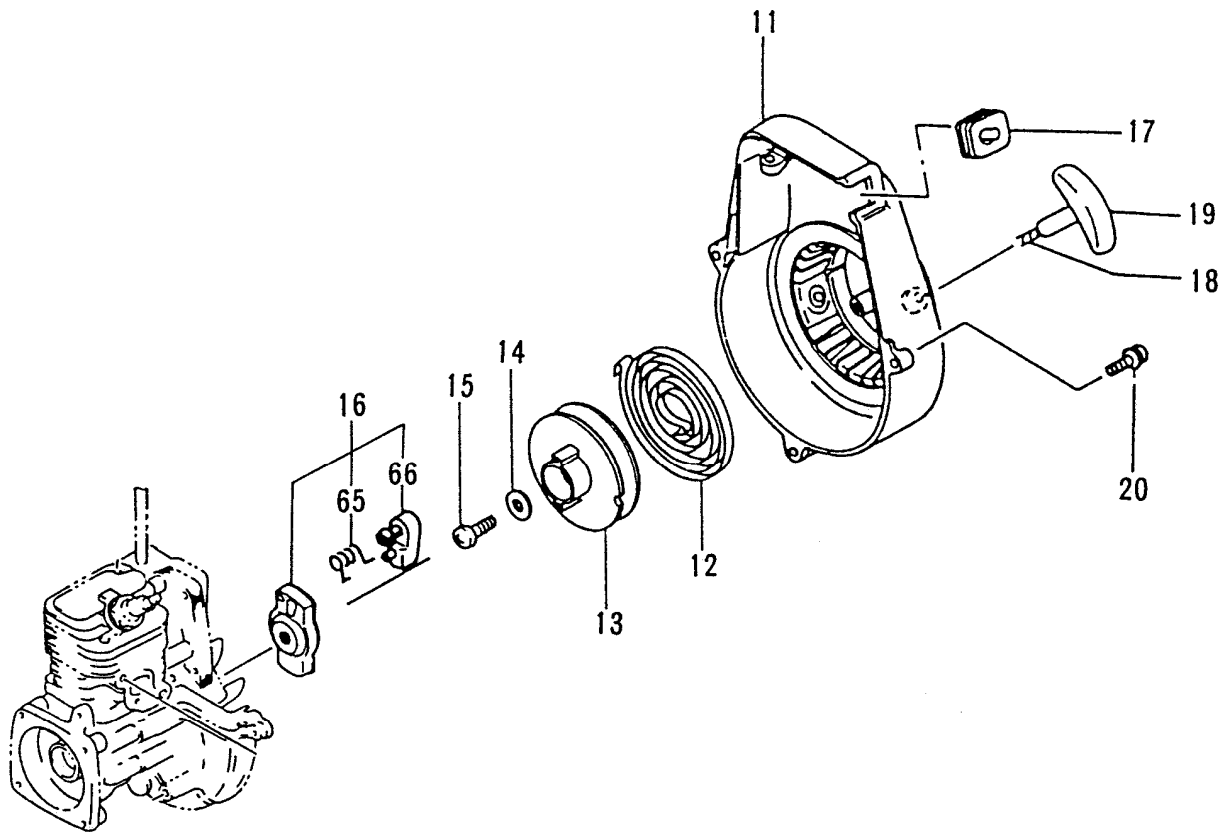
REF. NUMBER	PARTS NUMBER	DESCRIPTION	Q'TY	SERIAL NUMBER
<b>S01-03</b>	<b>ENGINE-1</b>			
025	668-9891	INTAKE PIPE GASKET	1	
026	668-9966	CARB. INSULATOR SET, SPARE	1	
027	317-7751	MACHINE SCREW (W/WASHERS)	2	
030	668-9839	CARBURETOR GASKET	1	
033	669-5670	O-RING P-15	1	
035	669-0119	CLEANER BODY COMP.	1	
036	669-0804	COLLAR 7.5	2	
037	669-1272	CHOKE VALVE	1	
038	668-4658	WAVE WASHER 8	1	
039	669-0843	BLOW OVER CHECK BOARD	1	
040	668-4662	S.WASHER 5	2	
041	668-4660	SCREW M5X60	2	
043	669-0364	CLEANER SPONGE	1	
044	669-0415	CLEANER COVER ASS'Y	1	
045	668-9737	SPECIAL SCREW	1	
046	669-0483	CARBURETOR SET WYL81	1	T008951 -
050,1	669-2417	FUEL PIPE 3X5X130	1	- R078200
050	668-5247	SHIELD TUBE ASS'Y	1	R078201 -
051	668-4619	CLIP, 6.3 DIA.	1	
052	669-2281	PUMP FILTER BODY ASS'Y	1	- P003585
052	668-4620	PUMP FILTER BODY COMP.	1	P003586 -
053,1	669-1565	FUEL TANK, VERMILION	1	- R078200
053	669-1566	FUEL TANK, VERMILION	1	- V169300
053	669-1567	FUEL TANK	1	V169301 -
054	669-1760	TANK CAP D ASS'Y, ORANGE	1	- V169300
054	669-1768	TANK CAP ASS'Y, BLACK	1	V169301 -
055	669-2244	COLLAR 5.8	2	
058	669-5505	HEX. HOLE BOLT 5X18PS	2	
121	669-1389	AIR VENT ASS'Y	1	V169301 -
122	669-1395	AIR VENT PIPE	1	V169301 -
123	669-2171	AIR VENT VALVE ASS'Y	1	V169301 -

# S01-04 ENGINE-2



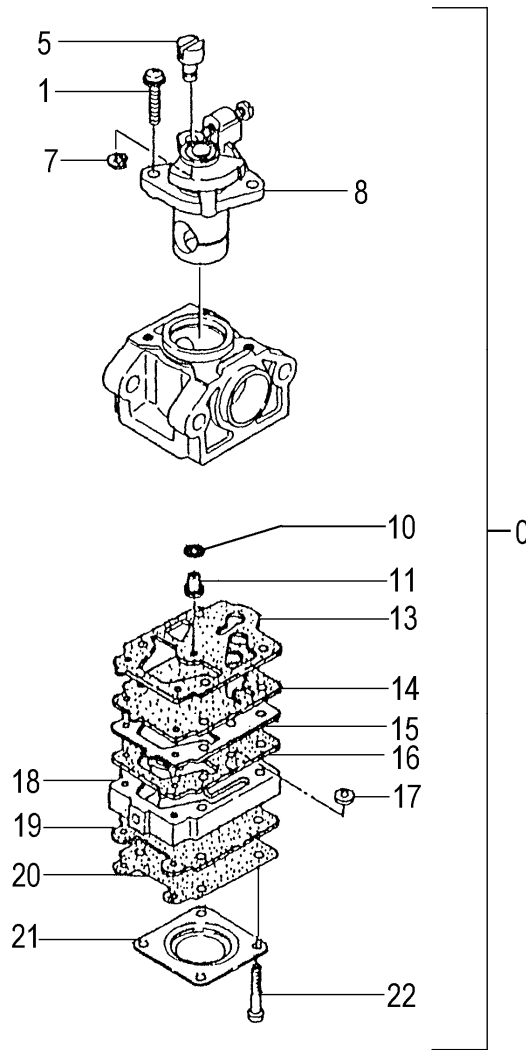
REF. NUMBER	PARTS NUMBER	DESCRIPTION	Q'TY	SERIAL NUMBER
<b>S01-04</b>	<b>ENGINE-2</b>			
003	669-2796	MUFFLER PROTECTOR	1	
004	669-2744	MUFFLER GASKET	1	
005	668-7252	HEAT SHIELD	1	
006	669-2571	MUFFLER COMP.	1	
007	668-4661	WASHER 5	2	
008	668-5114	HEX. SOCKET HD. BOLT M5X50	2	
021	669-2883	MUFFLER SPECIAL GASKET	1	
022	669-2661	TAIL PIPE COMP.	1	
024	668-5109	MACHINE SCREW (W/SP. WASHER)	2	
061	668-4636	TAPPING SCREW D4.5X16	1	
062	669-5441	BOLT 4X12PS	2	

# S01-05 RECOIL STARTER



REF. NUMBER	PARTS NUMBER	DESCRIPTION	Q'TY	SERIAL NUMBER
<b>S01-05 RECOIL STARTER</b>				
011	668-7012	FANCASE COMP., VERMILION	1	- Q014231
012	668-4675	RECOIL SPRING	1	
013	669-3066	STARTER ROPE REEL	1	
014	669-3422	ROPE REEL WASHER	1	
015	669-3633	SET SCREW	1	
016	669-3405	STARTER PULLEY ASS'Y	1	
017	668-8050	GROMMET	1	
018	669-3168	STARTER ROPE	1	
019	669-3237	STARTER HANDLE	1	
020	669-5374	SCREW 4X16/PS	3	
065	668-4684	STARTER PAWL SPRING	1	
066	669-3319	STARTER PAWL	1	

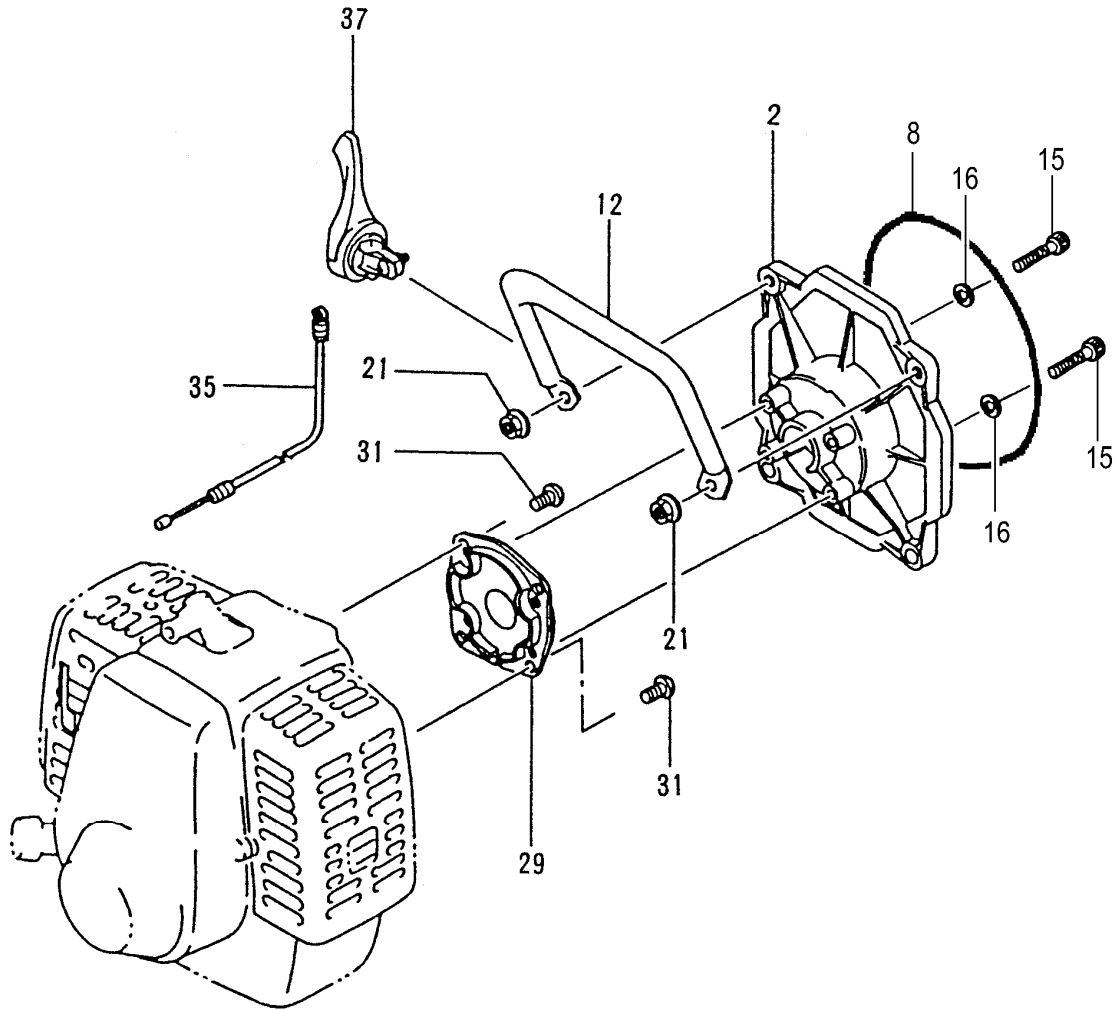
# S01-06 CARBURETOR



REF. NUMBER	PARTS NUMBER	DESCRIPTION	Q'TY	SERIAL NUMBER
<b>S01-06 CARBURETOR</b>				
000	669-0629	CARBURETOR ASS'Y, WYL-16	1	- T008950
001	668-4698	THROTTLE SET SCREW	2	
005	668-4697	SWIVEL	1	
007	668-4696	STOP RING	1	
008	669-0935	THROTTLE VALVE COMP.	1	- T008950
010	668-4695	O-RING	1	
011	669-1846	MAIN JET #41	1	- T008950
011	669-1849	MAIN JET #44	1	T008951 -
013	669-1457	PUMP GASKET	1	
014	668-4693	PUMP DIAPHRAGM	1	
015	669-1242	PUMP PLATE	1	- T008950
016	669-1234	CIRCUIT PLATE	1	- T008950
017	668-4700	INLET SCREEN	1	
018	669-1429	PUMP BODY COMP.	1	
019	669-0837	DIAPHRAGM GASKET	1	
020	669-0827	METERING DIAPHRAGM COMP.	1	
021	668-5222	DIAPHRAGM COVER	1	
022	669-1312	SET SCREW	4	
	669-2191	CARB. REPAIR KIT, K10-WYL	1	
	669-2200	GASKET/DIA. KIT,D10WYL	1	

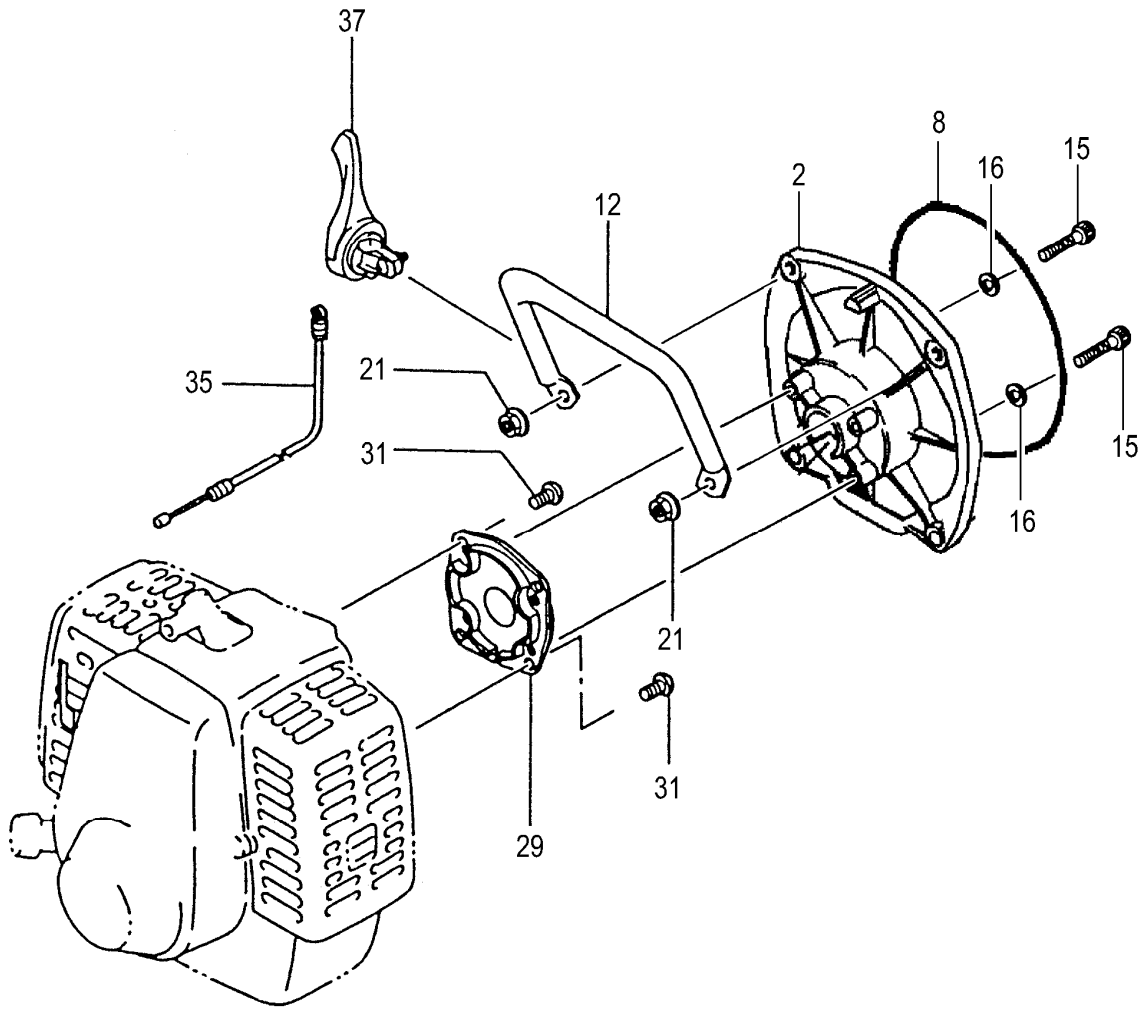


# S01-07 PUMP-1 (SERIAL # - Y081575)



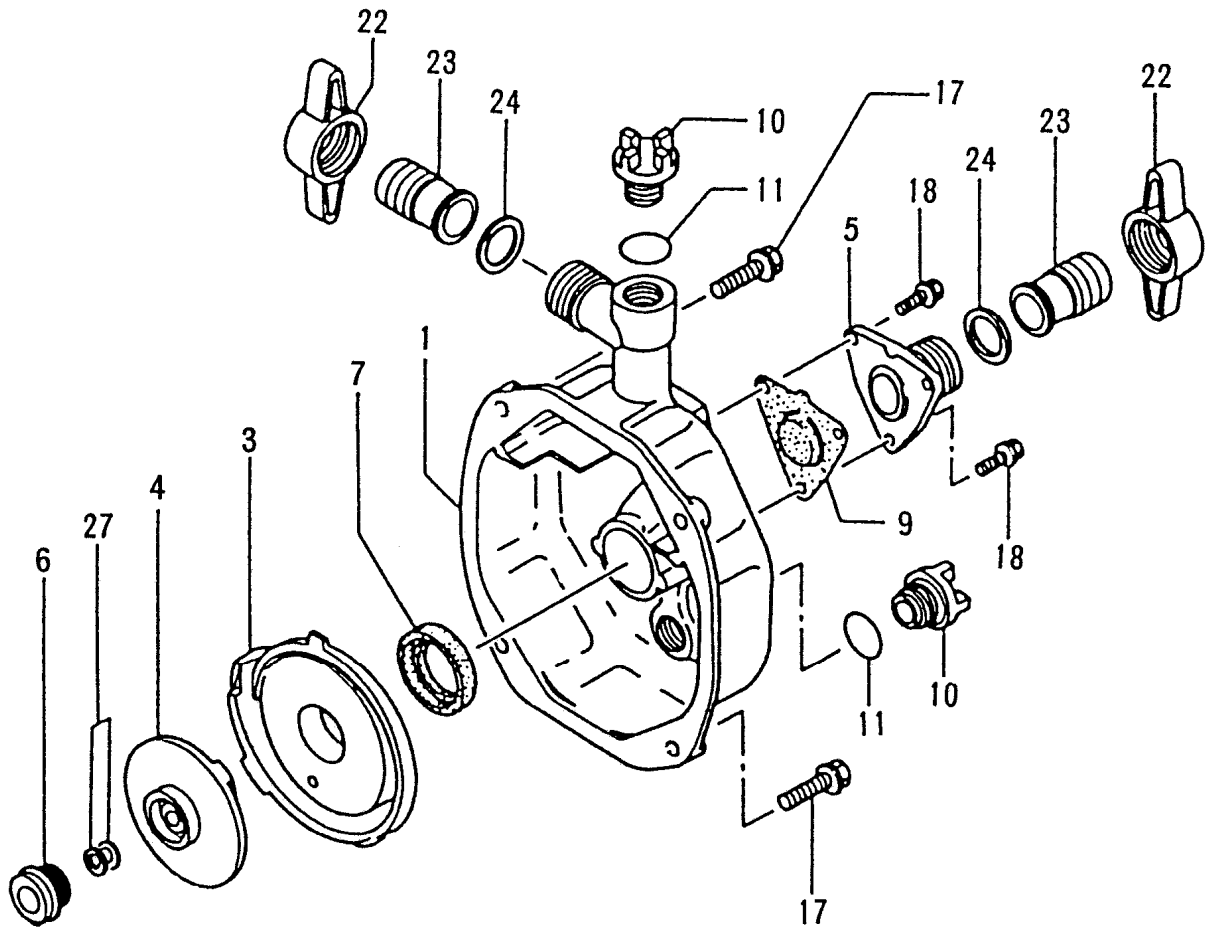
REF. NUMBER	PARTS NUMBER	DESCRIPTION	Q'TY	SERIAL NUMBER
<b>S01-07 PUMP-1 (SERIAL # - Y081575)</b>				
002	668-8639	END-PLATE	1	
008	669-5689	O-RING 1517-35	1	
012	668-6731	HANDLE	1	
015	669-5051	HEX. HOLE BOLT 5X25	4	
016	668-9683	WASHER	4	
021	669-5171	FLANGE NUT 8	2	
029	668-9247	COUPLING FLANGE	1	
031	669-5358	SCREW 6X16/S	4	
035	669-3909	THROTTLE WIRE COMP. 4T	1	
037	669-3683	THROTTLE LEVER, 16 DIA.	1	

# S01-08 PUMP-1 (SERIAL # Y081576 -)



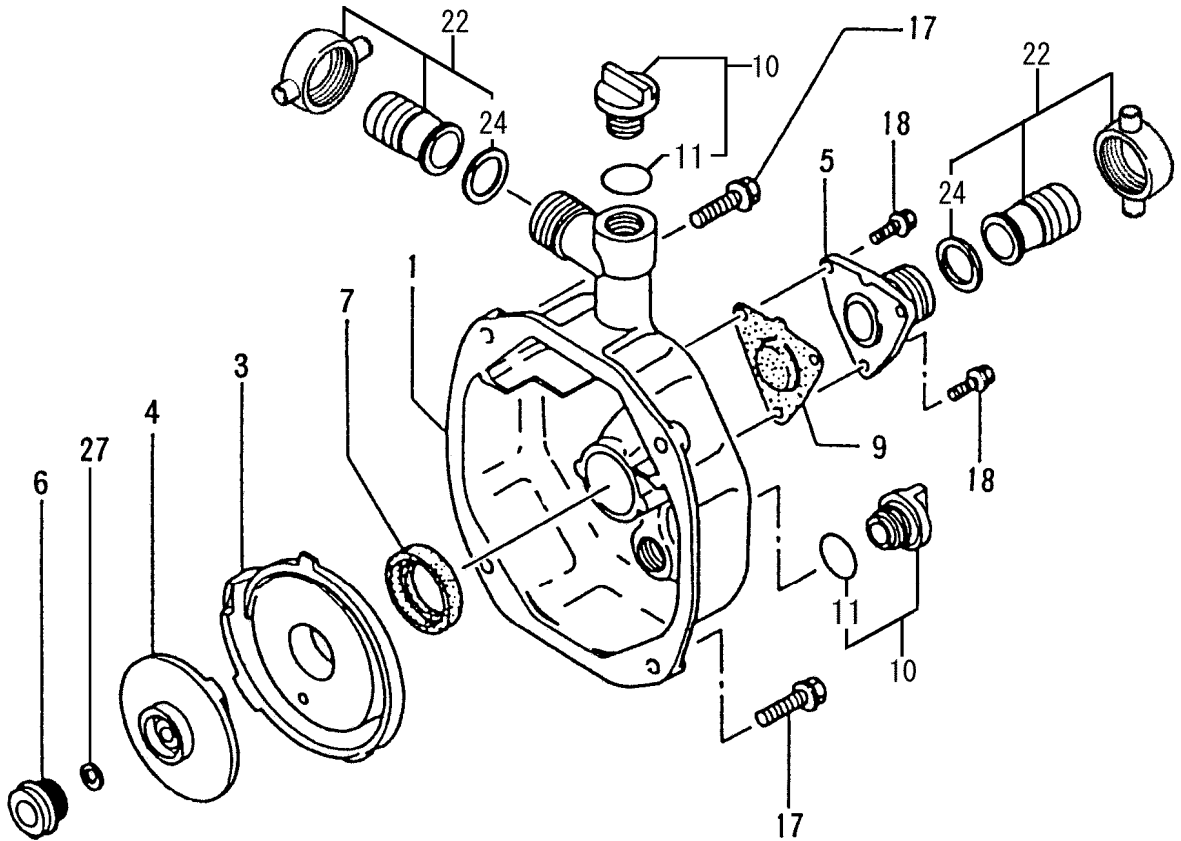
REF. NUMBER	PARTS NUMBER	DESCRIPTION	Q'TY	SERIAL NUMBER
<b>S01-08 PUMP-1 (SERIAL # Y081576 -)</b>				
002	668-8640	END PLATE A	1	
008	669-5688	O-RING G140	1	
012	668-6732	HANDLE A	1	
015	669-4976	BOLT 5X25	4	
016	668-9684	WASHER A	4	
021	669-5171	FLANGE NUT 8	2	
029	668-9247	COUPLING FLANGE	1	
031	669-5337	SCREW 5X16/S	4	
035	669-3909	THROTTLE WIRE COMP. 4T	1	
037	669-3683	THROTTLE LEVER, 16 DIA.	1	

# S01-09 PUMP-2 (SERIAL # - Y081575)



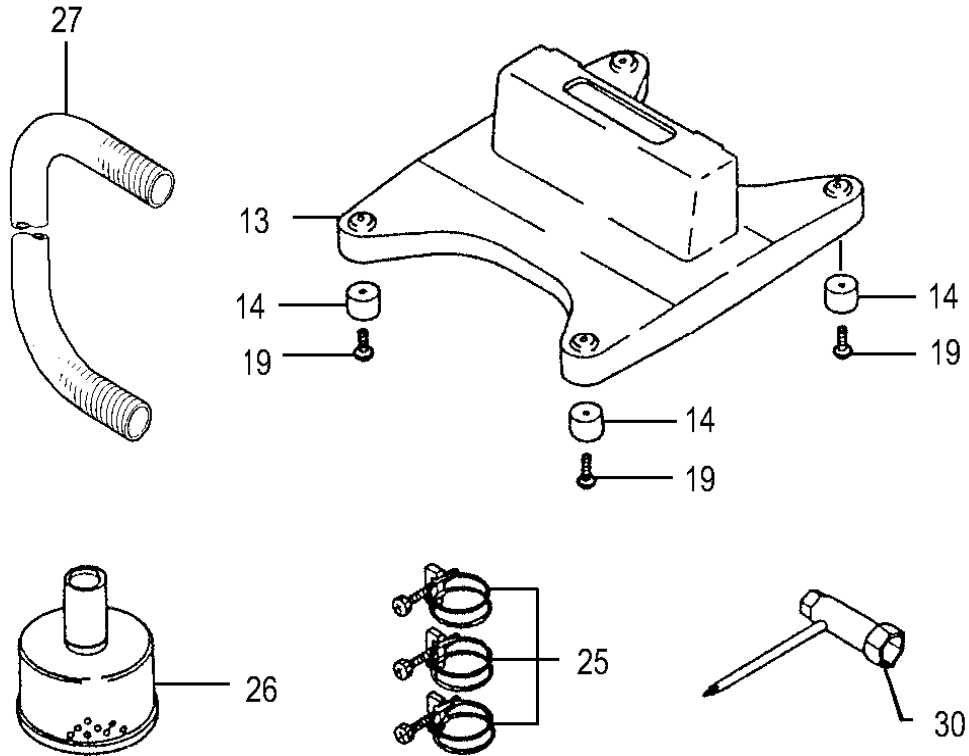
REF. NUMBER	PARTS NUMBER	DESCRIPTION	Q'TY	SERIAL NUMBER
<b>S01-09 PUMP-2 (SERIAL # - Y081575)</b>				
001	668-9179	CASING	1	
003	668-9001	VOLUTE CHAMBER	1	
004	668-5957	IMPELLER	1	
005	668-9131	SUCKTION PLATE	1	
006	668-7495	MECHANICAL SEAL ASS'Y	1	
007	668-9038	VOLUTE CHAMBER PACKING	1	
009	668-9534	SUCKTION PLATE PACKING	1	
010	668-9658	PRIMING PLUG	2	
011	669-5675	O-RING, P-24	2	
017	669-5517	TAPPING BOLT 8X40P	4	
018	669-5440	BOLT 6X20S	3	
022	668-6331	WATER COUPLING NUT	2	
023	668-6318	WATER COUPLING B	2	
024	668-6339	COUPLING PACKING	2	
027	668-5976	IMPELLER SHAFT SHIM 0.30	V	
027	668-5977	IMPELLER SHAFT SHIM 0.60	V	

# S01-10 PUMP-2 (SERIAL # Y081576 -)



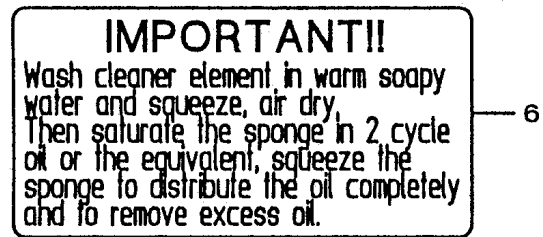
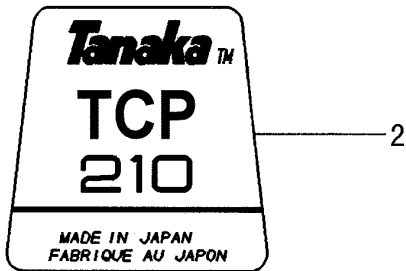
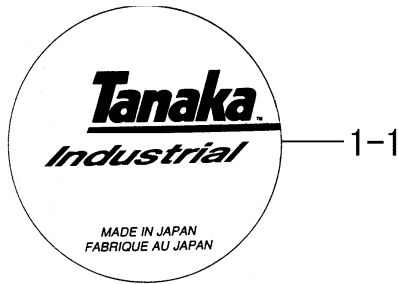
REF. NUMBER	PARTS NUMBER	DESCRIPTION	Q'TY	SERIAL NUMBER
<b>S01-10 PUMP-2 (SERIAL # Y081576 -)</b>				
001	668-9180	CASING A	1	
003	668-9002	VOLUTE CHAMBER A	1	
004	668-5958	IMPELLER A	1	
005	668-9132	SUCTION PLATE A	1	
006	668-7496	MECHANICAL SEAL ASS'Y A	1	
007	668-9039	VOLUTE CHAMBER GASKET A	1	
009	668-9535	SUCTION PALTE PACKING	1	
010	668-9660	PRIMING PLUG ASS'Y	2	
011	669-5675	O-RING, P-24	2	
017	669-5480	FLANGE BOLT 8X35	4	
018	669-5477	FLANGE BOLT 6X16	3	
022	668-6258	WATER COUPLING ASS'Y A	2	
024	668-6340	COUPLING PACKING	2	
027	668-5978	IMPELLER SHAFT SHIM A 0.3	V	

# S01-11 BED



REF. NUMBER	PARTS NUMBER	DESCRIPTION	Q'TY	SERIAL NUMBER
<b>S01-11</b>	<b>BED</b>			
013	668-6628	BED	1	- Y081575
013	668-6629	BED A	1	Y081576 -
014	668-9059	CUSHION RUBBER	4	- Y081575
014	668-9060	CUSHION RUBBER A	4	Y081576 -
019	669-5260	TAPPING SCREW 5X14	4	- Y081575
019	669-5251	TAPPING SCREW 5X14	4	Y081576 -
025	668-7218	WIRE BAND 33	4	- Y081575
025	668-7219	WIRE BAND A 25	3	Y081576 -
026	668-6781	FILTER COMP.	1	- Y081575
026	668-6782	FILTER COMP. A	1	Y081576 -
027	668-7936	SUCKTION HOSE, 3M	1	- Y081575
027	668-7937	SUCTION HOSE A 3M	1	Y081576 -
030	668-4979	COMBI BOX SPANNER 13X19 PLU	1	

# S01-12 LABELS



REF. NUMBER	PARTS NUMBER	DESCRIPTION	Q'TY	SERIAL NUMBER
<b>S01-12 LABELS</b>				
001,1	669-4705	SYMBOL MARK	1	- R061252
001	669-4821	PROFORCE MARK A	1	R061253 -
002	669-4182	NAME PLATE	1	
006	669-4439	CAUTION MARK, ELEMENT	1	N211761 -
008	669-4455	SOUND LABEL	1	