

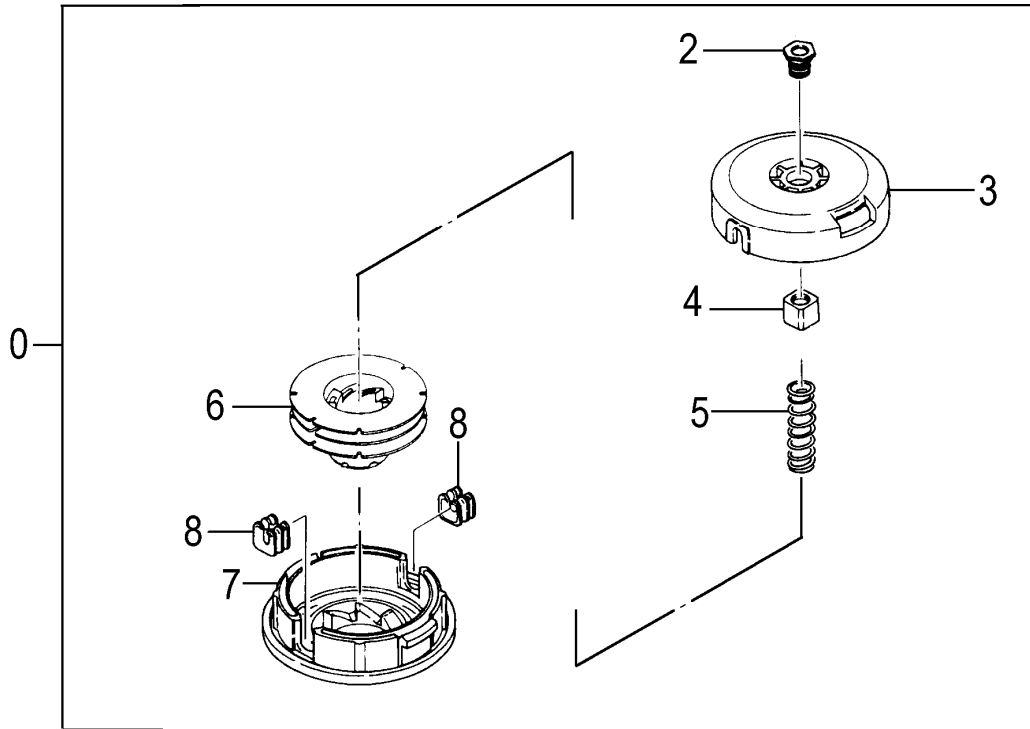
**S55**

***Tanaka***

**SURE-TAP**

**Serial No.**

# S55-01 SURE-TAP



REF. NUMBER	PARTS NUMBER	DESCRIPTION	Q'TY			REMARKS /SERIAL NO.
<b>S55-01 SURE-TAP</b>						
000	669-3221	NYLON HEAD/SURE TAP, M8-NUT	1			
000	668-4755	NYLON HEAD ASS'Y		1		
000	669-3214	NYLON HEAD SURE-TAP U2 BF5				
002	668-9624	MOUNTING NUT L-M8X1.25	1		1	
002	668-4756	MOUNTING NUT L-M10X1.25		1	1	
003	668-4757	CUTTING BODY	1	1	1	
004	668-4758	SPECIAL NUT	1	1	1	
005	668-4759	REEL SPRING	1	1	1	
006	668-4760	SPOOL	1	1	1	
007	668-4761	CUTTING BODY CAP	1	1	1	
008	668-4762	EYELET	2	2	1	
					2	