

# Parts Catalog



**WORLDLAWN®**

**WS2265BSE/ WS2475BSE**

**Snow thrower**



**Worldlawn Power Equipment, Inc.**

**422 Turnbull Canyon Road City of Industry CA 91744**

**Toll Free Number: 1-866-9-Mowers (1-866-966-9377)**



# Content

---

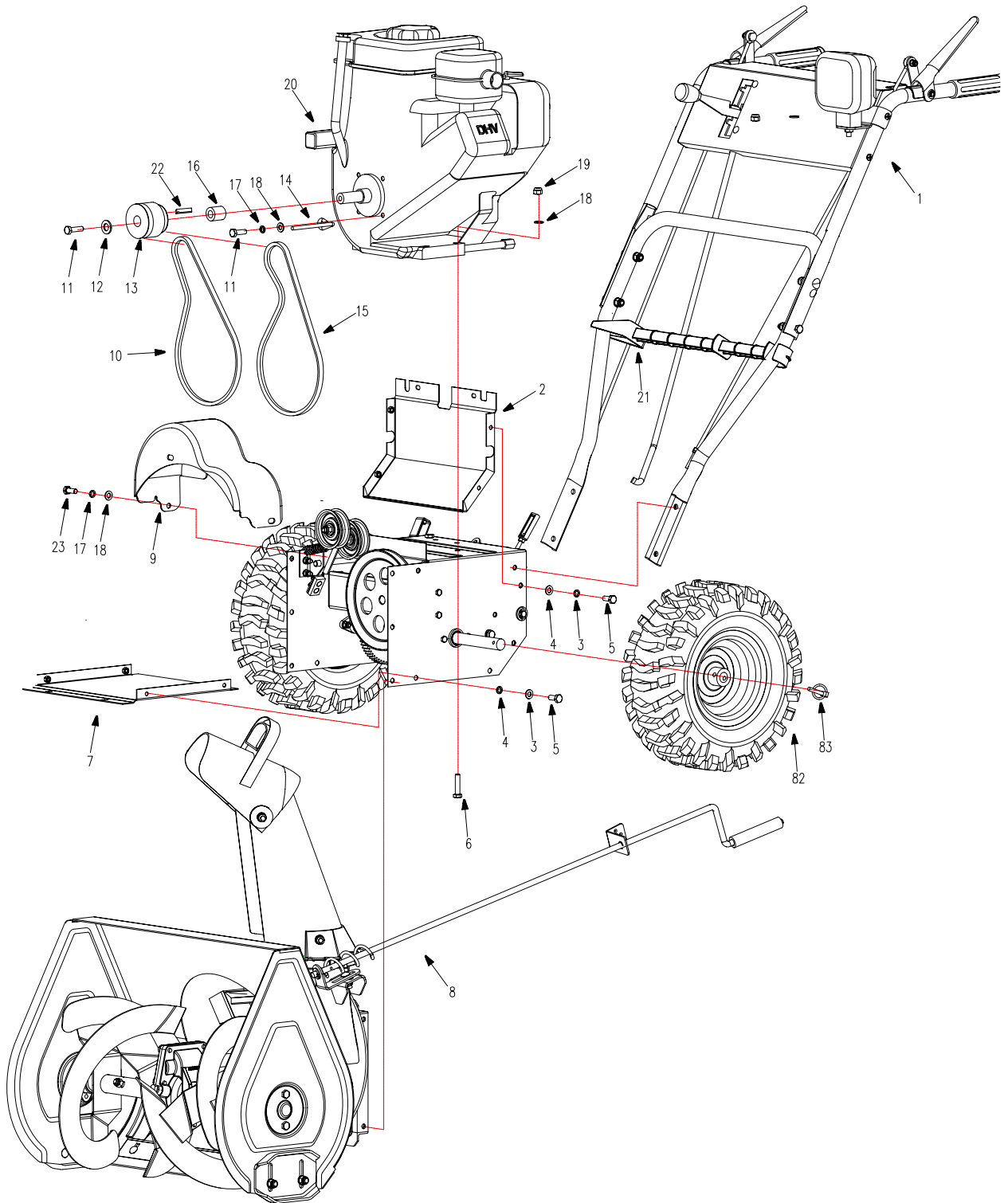
## Content

Snowthrower Assembly .....	1
Handle Assembly.....	3
Engine Frame Assembly .....	5
Caster Kit.....	7
Wiring Harness.....	9
Decals .....	10



WORLDLAWN®

# Snowthrower Assembly





WORLDLAWN®

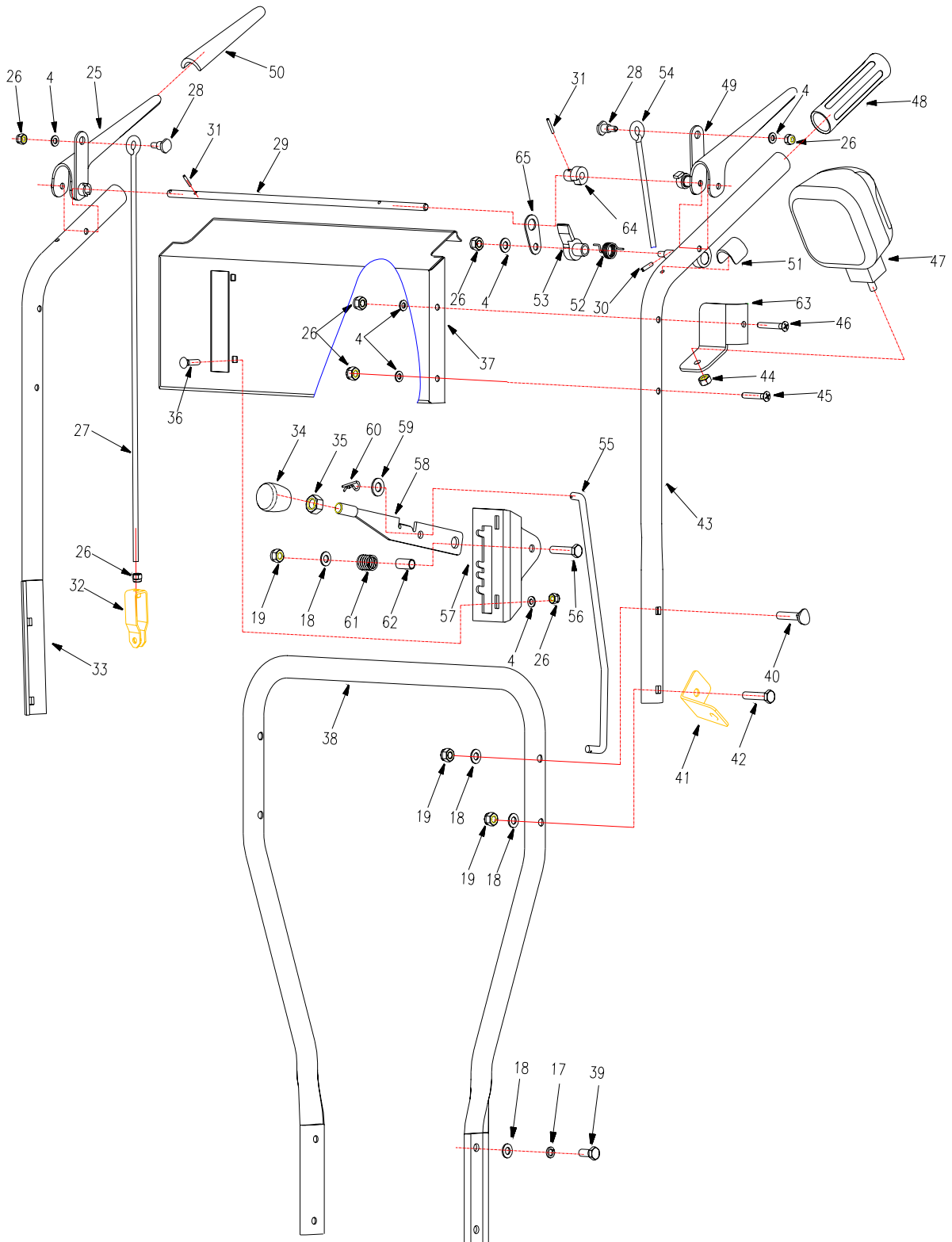
# Snowthrower Assembly

REF.	PART NO.	DESCRIPTION	22	24	REF.	PART NO.	DESCRIPTION	22	24
1	S221000	Handle Bar Assembly	×	×	14	S220054	Belt Guard	×	×
2	S220004	Upper Cover	×	×	15	S222005	Belt	×	×
3	B93-6	Washer 6	×	×	16	S220051	Spacer	×	×
4	B97.1-6	Washer 6	×	×	17	B93-8	Washer 8	×	×
5	B5783-620	Hex Hd. Bolt M6×20	×	×	18	B97.1-8	Washer 8	×	×
6	B5783-835	Hex Hd. Bolt M8×35	×	×	19	B6182-8	Locknut M8	×	×
7	S220005	Bottom Cover	×	×	20	S220055	Engine	×	
8	S223000	Auger and Housing Assembly	×			S240055	Engine		×
	S243000	Auger and Housing Assembly		×	21	S220006	Snow clean-out tool	×	×
9	S220060	Cover-Belt	×	×	22	XSS46-02	Square Key	×	×
10	S223015	Belt	×	×	23	B5783-820	Bolt M8×20	×	×
11	S220053	Bolt 5/16"-24UNF	×	×	82	S222080	Rear wheel Assembly	×	×
12	XSZ56-2-17	Washer	×	×	83	3301010	Linch pin Assembly	×	×
13	S220052	Pulley-engine	×	×					



WORLDLAWN®

# Handle Assembly





WORLDLAWN®

# Handle Assembly

REF.	PART NO.	DESCRIPTION	22	24	REF.	PART NO.	DESCRIPTION	22	24
4	B97.1-6	Washer 6	×	×	44	B6177-8	Nut M8	×	×
17	B93-8	Washer 8	×	×	45	B820-640	Bolt M6×40	×	×
18	B97.1-8	Washer 8	×	×	46	B820-645	Bolt M6×45	×	×
19	B6182-8	Locknut M8	×	×	47	S221060	Lamp	×	×
25	S221045	Handle-RH Weldment	×	×	48	3306005	Sheath Handle	×	×
26	B6182-6	Locknut-6	×	×	49	S221040	Left Handle Weldment	×	×
27	S221010	Right hand Rod	×	×	50	3306006	Sheath Handle	×	×
28	S221004	Axis Pin	×	×	51	S221012	Sheath	×	×
29	S221008	Shaft	×	×	52	S221017	Torsion Spring	×	×
30	B879.1-418	Pin-spring 4×18	×	×	53	S221015	Buckle	×	×
31	B879.1-3.516	Pin-spring 3.5×16	×	×	54	S221009	Left Hand Rod	×	×
32	S222135	Clevis Weldment	×	×	55	S221011	Shift Rod	×	×
33	S221050	Handle-RH Weldment	×	×	56	B5782-840	Hex Hd. Bolt M8×40	×	×
34	B4141.11-1240	Knob BM12×40	×	×	57	S221006	Selector Plate	×	×
35	B6172-12	Locknut M12	×	×	58	S221020	Speed Selector Handle	×	×
36	B12-618	Hex Hd. Bolt M6×18	×	×	59	B97.1-10	Washer 10	×	×
37	S221030	Panel Weldment	×	×	60	XSZ56-1-17	Hair Pin	×	×
38	S221001	Rack Handle	×	×	61	S221005	Pressure spring	×	×
39	B5783-818	Hex Hd. Bolt M8×18	×	×	62	S221007	Selector Plate Bushing	×	×
40	XSZ56-1-15	Bolt	×	×	63	S221013	Bracket	×	×
41	S223155	Bracket	×	×	64	S221016	Attachment Bushing		
42	B5782-845	Hex Hd. Bolt M8×45	×	×	65	S221014	Bracket	×	×
43	S221055	Handle-LH Weldment	×	×					





WORLDLAWN®

# Engine Frame Assembly

REF	PART	DESCRIPTION	22	24
4	B97.1-6	Washer 6	×	×
5	B5783-620	Hex Hd. Bolt M6×20	×	×
17	B93-8	Washer 8	×	×
18	B97.1-8	Washer 8	×	×
19	B6182-8	Locknut M8	×	×
23	B5783-820	Bolt M8×20	×	×
26	B6182-6	Locknut M6	×	×
32	S222135	Clevis Weldment	×	×
54	S221009	Left Hand Rod	×	×
55	S221011	Shift Rod	×	×
56	B5782-840	Hex Hd. Bolt M8×40	×	×
59	B97.1-10	Washer 10	×	×
60	XSZ56-1-17	Hair Pin	×	×
70	S222050	Friction Disk Assembly	×	×
71	S222121	Bushing	×	×
72	2800034	Idler Pulley Assembly	×	×
73	3303018	Washer	×	×
74	B6184-8	Locknut M8	×	×
75	S222002	Tension Spring 1	×	×
76	S222001	Connecting Plate 1	×	×
77	S222120	Auger Clutch Rod Assembly	×	×
78	B5783-618	Hex Hd. Bolt M6×18	×	×
80	B5783-816	Hex Hd. Bolt M8×16	×	×
81	S222040	Traction Frame	×	×
82	S222080	RH Wheel And Tire	×	×
83	3301010	Linch pin Assembly	×	×
84	S222130	Auger Clutch Rod Weldment	×	×
85	B819-520	Screw M5×20	×	×
86	S222122	Brake Block	×	×
87	B97.1-5	Washer 5	×	×
88	B6182-5	Nut M5	×	×
89	B91-212	Split Pin 2×12	×	×
91	S222010	Axis Pin	×	×
92	S222004	Connecting Plate 2	×	×
93	S222012	Bearing Housing	×	×
94	3301003	Spacer	×	×
95	B97.1-20	Washer 20	×	×
96	S222070	Internal Gear And Bushing	×	×
97	B879.1-535	Pin 5×35	×	×
98	B1096-628	Key 6×28	×	×
99	S222013	Rear Axle	×	×
100	B62685-162	Bearing 16×20×25	×	×
101	S222104	Washer-special	×	×

REF.	PART NO.	DESCRIPTION	22	24
102	S222110	Gear weldment	×	×
103	S222102	Guiding Shaft	×	×
104	B879-432	Pin 4×32	×	×
105	S222103	Sliding Plate	×	×
106	S222101	Deflector	×	×
107	S222105	Bushing	×	×
108	S222117	Friction Wheel	×	×
109	B1096-518	Square Key 5×18	×	×
110	B6182-10	Locknut M10	×	×
111	B5783-612	Hex Hd. Bolt M6×12	×	×
112	99502H	Bearing 99502-2RS	×	×
113	2800011	Bearing Housing	×	×
114	B894.1-25	Ring 25	×	×
115	4809001	Washer	×	×
116	S222107	Pinion	×	×
117	S222106	Friction Wheel Shaft	×	×
118	S222003	Tension Spring 2	×	×
119	S222008	Bolt	×	×
120	S222009	Adjust Plate	×	×
121	S222090	Traction Arm ASM	×	×
122	S222011	Spacer	×	×
123	S222007	Spring	×	×
124	S222006	Connecting Plate 3	×	×
125	S222140	Rod Traction	×	×
126	B6170-6L	Nut M6 (HF)	×	×
127	S222014	Screw Buckle KCCD6-M	×	×
128	B896-9	Ring 9	×	×
129	B97.1-12	Washer 12	×	×
131	B801-835	Square Bolt M8×35	×	×
132	S222060	Belt Pulley Weldment	×	×
133	S222053	Front Frame	×	×
134	B276-6203RS	Bearing 6203-2RS	×	×
135	S222052	Bushing	×	×
136	S222065	Bearing Housing	×	×
137	S222051	Friction Pulley	×	×
138	B91-2518	Split Pin 2.5×18	×	×
139	S222081	Tire	×	×
140	S222082	Rim	×	×
141	B6172-2-6	Nut M6	×	×
142	B5783-516	Bolt M5×16	×	×
143	S222116	Thick Splint	×	×
144	S222115	Friction Plate	×	×
145	S222113	Thin Splint	×	×



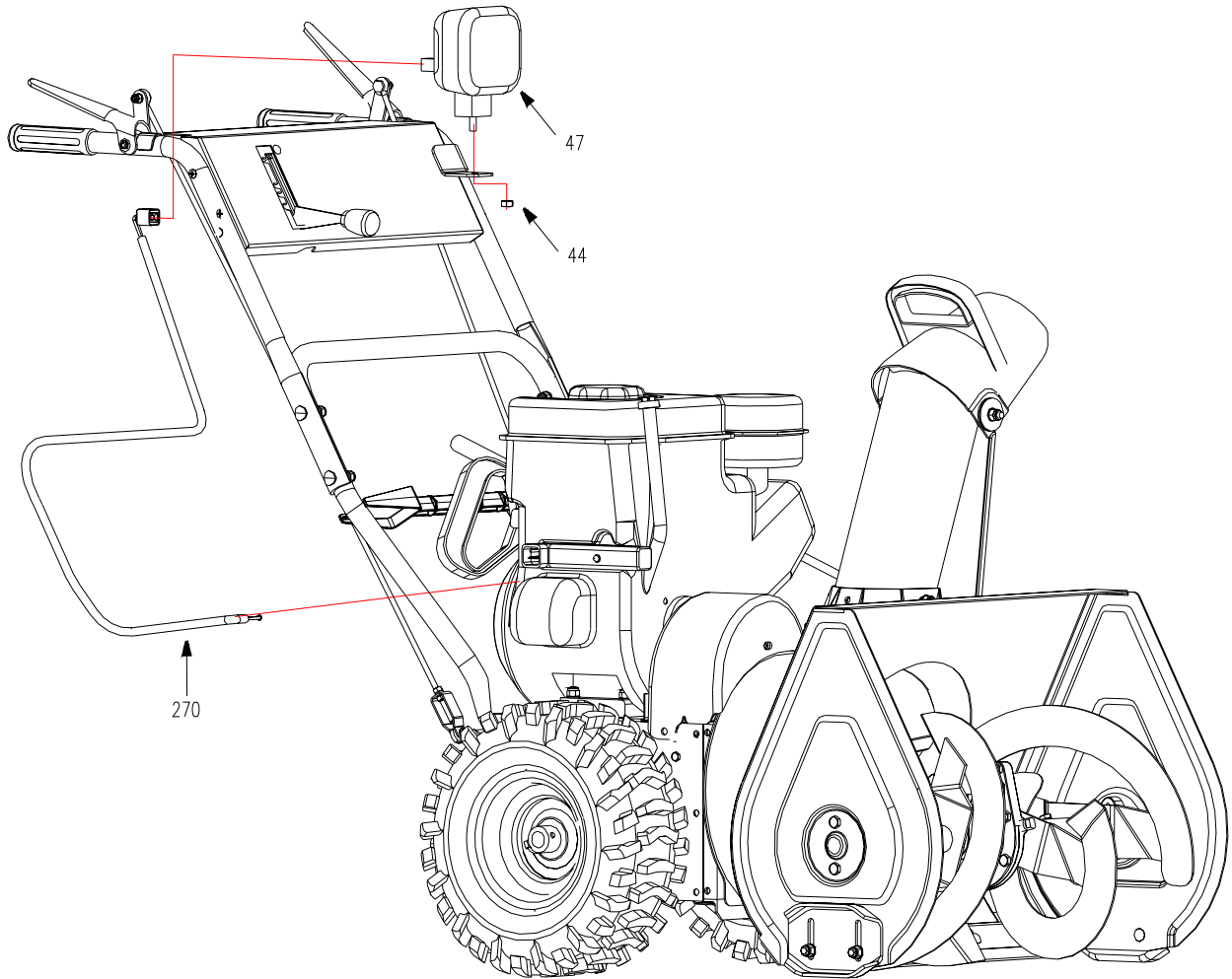




WORLDLAWN®

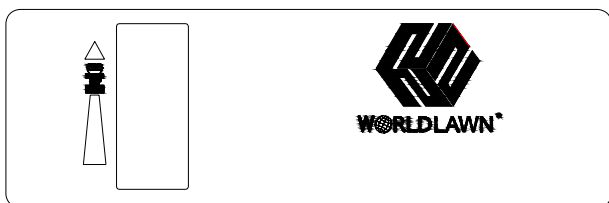
# Caster Kit

REF.	PART NO.	DESCRIPTION	22	24	REF.	PART NO.	DESCRIPTION	22	24
3	B93-6	Washer 6	×	×	176	S223040	Front Frame	×	
4	B97.1-6	Washer 6	×	×		S243040	Front Frame		×
5	B5783-620	Hex Hd. Bolt M6×20	×	×	177	S223004	Scraper	×	
18	B97.1-8	Washer 8	×	×		S243004	Scraper		×
19	B6182-8	Nut M8	×	×	178	S223080	Impeller Weldment	×	×
26	B6182-6	Nut M6	×	×	179	S223003	Spacer	×	×
41	S223155	Bracket	×	×	180	B894.1-22	Ring 22	×	×
59	B97.1-10	Washer 10	×	×	181	S223002	Washer	×	×
60	XSZ56-1-17	Bolt	×	×	182	S223001	Bearing Housing	×	×
80	B5783-816	Hex Hd. Bolt M8×16	×	×	183	B2685-222825	Bearing 22×28×25	×	×
150	B1972- A 16	Belleville spring A16-1	×	×	184	S223070	Auger-LH Weldment	×	
151	S223013	Washer	×	×		S243070	Auger-LH Weldment		×
152	S223140	Chute Deflector	×	×	185	S223007	Safety Pin	×	×
153	S223006	Chute	×	×	186	S223100	Gear Case Assembly	×	
154	B801-830	Hex Hd. Bolt M8×30	×	×		S243100	Gear Case Assembly		×
155	S223008	Washer	×	×	187	S223060	Auger-RH Weldment	×	
157	B801-825	Hex Hd. Bolt M8×25	×	×		S243060	Auger-RH Weldment		×
156	S223012	Friction Plate	×	×	188	B5782-645	Hex Hd. Bolt M6×45	×	×
158	B5285-4.822F	Self-tapping Screw 4.8×22	×	×	189	S223005	Skid	×	×
159	B801-820	Hex Hd. Bolt M8×20	×	×	190	2800006	Washer	×	×
160	S223131	Ring-chute	×	×	191	B1153-8	Grease Fitting M8×1×45	×	×
161	S223132	Ring-chute, Retainer	×	×	192	S223310	Oil Seal	×	×
162	B823-510	Screw M5×10	×	×	193	S223302	Right Bushing Case	×	×
163	B93-5	Washer 5	×	×	194	S223101	Seal Bolt	×	×
164	B96-5	Washer 5	×	×	195	S223306	Worm Gear	×	×
165	S223154	Sheath	×	×	196	B1096-818	Key 8×18	×	×
166	S223151	Rod-control, Chute	×	×	197	S223104	Output Shaft	×	
167	S223090	Pulley Weldment	×	×		S243104	Output Shaft		×
168	B84-620	Screw M6×20	×	×	198	13871-35207	Oil Seal FB35×20×7	×	×
169	B1096-620	Key 6×20	×	×	199	B/T61904RS	Bearing 61904-2RS	×	×
170	S223121	Bearing Housing	×	×	200	S223112	Import Shaft	×	×
171	B2687-203625	Bearing 20×36×25	×	×	201	S223301	Left Bushing Case	×	×
172	S223150	Discharge Chute Control	×	×	202	B1152-6	Grease Fitting M6	×	×
173	S223152	Plate	×	×	203	B/T16001RS	Bearing 16001-2RS	×	×
174	MCM-10-3	Bearing	×	×	204	S223311	Washer	×	×
175	S223009	Worm Bracket	×	×	205	B12613-222515	Bearing 25×22×15	×	×
					206	S223133	Clap Board	×	×



REF.	PART NO.	DESCRIPTION	22	24
44	B6177-8	Nut M8	×	×
47	S221060	Lamp	×	×
270	S220070	Wiring Harness	×	×

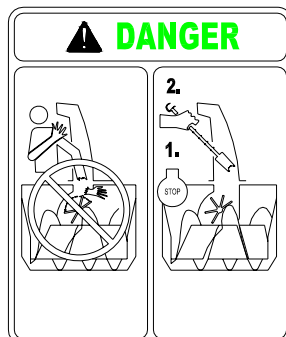
# Decals



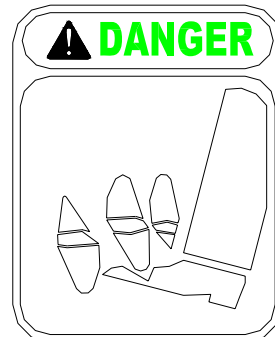
255



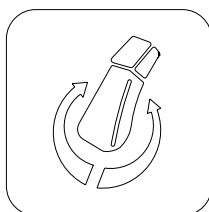
256



257



258



259

REF.	PART NO.	DESCRIPTION	22	24
255	S224004	World Logo	×	×
256	S224003	Decal, Warning	×	×
257	S224001	Decal, Warning	×	×
258	S224002	Decal, Warning	×	×
259	S224005	Decal	×	×



**WORLDLAWN®**

**Worldlawn Power Equipment, Inc.**

422 Turnbull Canyon Road City of Industry CA 91744

Phone: (626) 934-8552

Fax: (626) 934-8162

E-mail: [worldlawnmower@adelphia.net](mailto:worldlawnmower@adelphia.net)