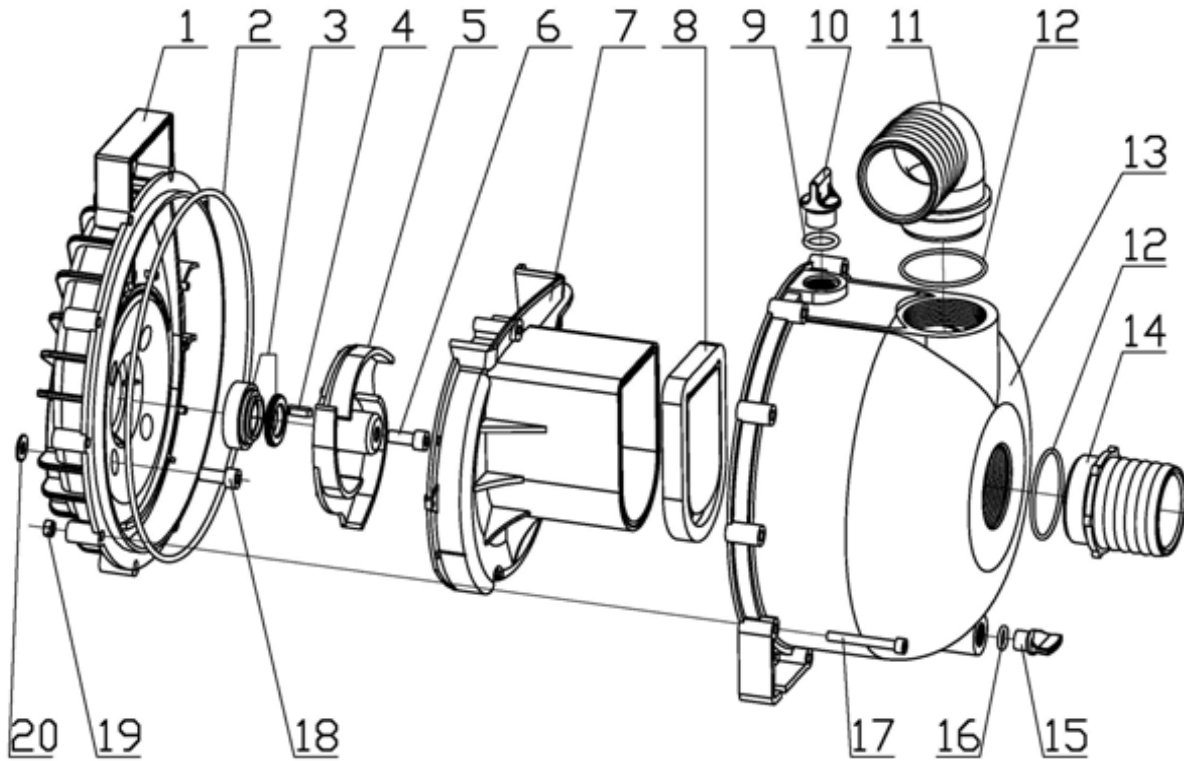


CP 50 - 2" CHEMICAL PUMP



CP 50 (2" Chemical Pump)

No.	P/N	Description	Qty	No.	P/N	Description	Qty
1	61-201	Pump cover	1	11	61-211	Outlet conduit	1
2	61-202	O ring $\phi 220 \times 4$	1	12	61-212	O ring $\phi 43.7 \times 2.65$	2
3	61-203	Mechanical seal	1	13	61-213	Pump body	1
4	61-204	Plane key 4.78 x 18	1	14	61-214	Inlet branch	1
5	61-205	Impeller	1	15	61-215	Plug	1
6	61-206	Bolt 5/16-24U NFx20	1	16	61-216	O ring $\phi 8 \times 2.65$	1
7	61-207	Water Diffuser	1	17	61-217	Bolt M6x60	10
8	61-208	Check valve	1	18	61-218	Bolt M8x30	4
9	61-209	O ring $\phi 18 \times 3.55$	1	19	61-219	Nut M6	10
10	61-210	Plug	1	20	61-220	Adiabatic Washer	4

Technical Support:

1-866-852-6872

©Yamakoyo Machinery Co., Ltd.

www.kbnusa.com Yamakoyo_Pump_CP-50_IPL_Rev_02-09