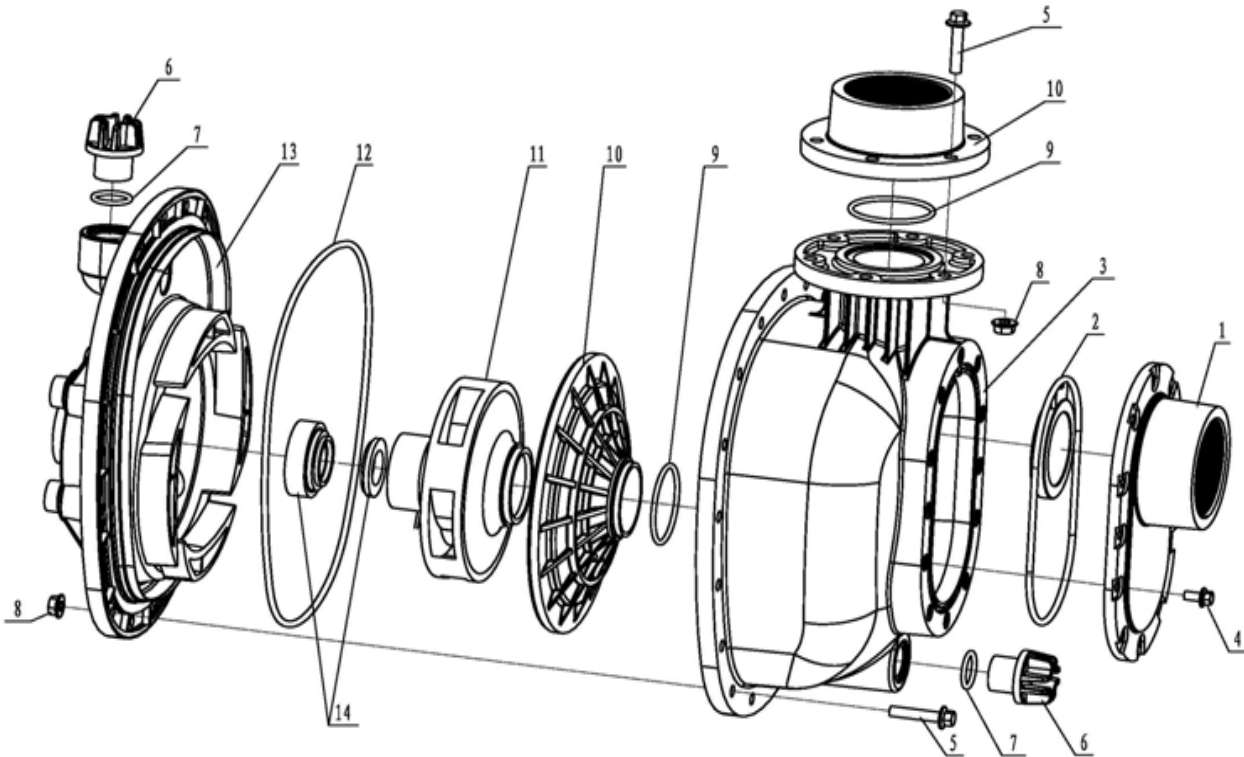


CP 50-HD (2" CHEMICAL PUMP HD)



CP 50-HD (2" Chemical Pump HD)

No.	P/N	Description	Qty	No.	P/N	Description	Qty
1	61-251	Inlet flange	1	8	61-258	Nut	23
2	61-252	Check valve	1	9	61-259	O-ring	2
3	61-253	Pump body	1	10	61-260	Diffuser	1
4	61-254	Bolt	12	11	61-261	Impeller	1
5	61-255	Bolt	23	12	61-262	O-ring	1
6	61-256	Plug	2	13	61-263	Pump cover	1
7	61-257	O-ring	2	14	61-264	Mechanical seal	1

Technical Support:

1-866-852-6872

©Yamakoyo Machinery Co., Ltd.

www.kbnusa.com Yamakoyo_Pump_CP-50HD_IPL_Rev_02-09