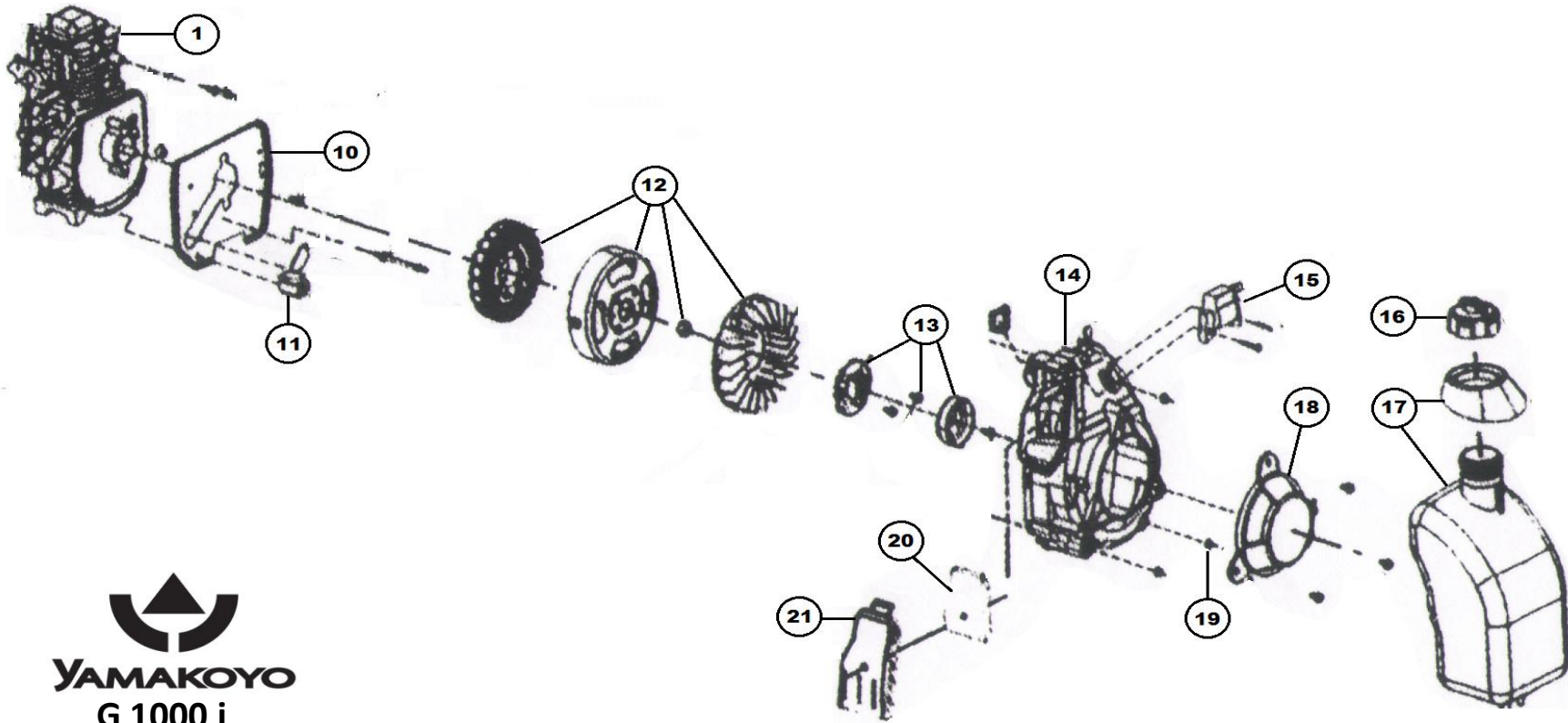
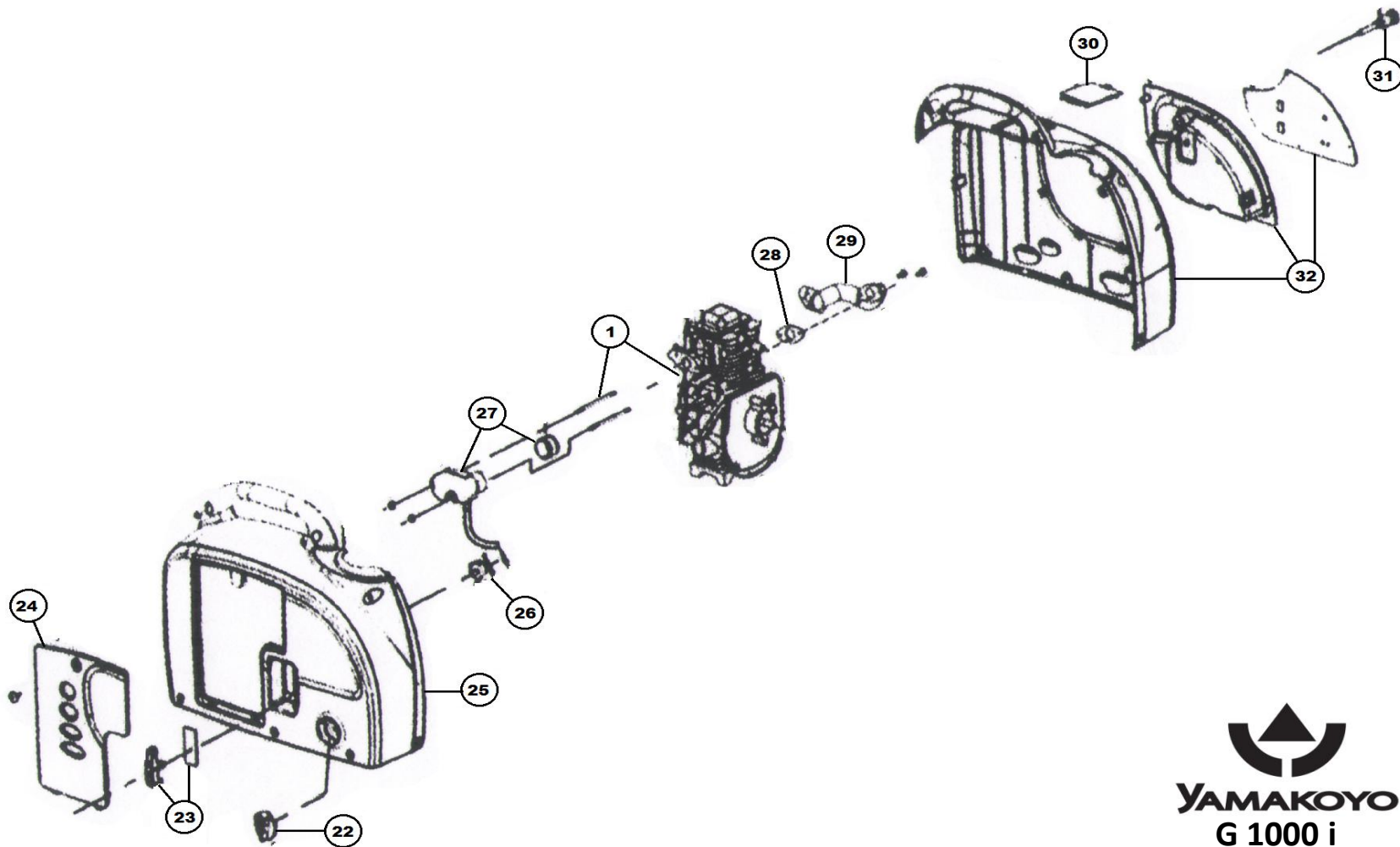


G 1000 i											
No.	P/N	Description	Qty	No.	P/N	Description	Qty	No.	P/N	Description	Qty
1	68-501	Long Block Assy.	1	4	68-504	Fan Cover Kit	1	7	68-507	Cooling Air Deflector 3	1
2	68-502	Cooling Air Deflector 1	1	5	68-505	Case bracket	1	8	68-508	Fan & Fan Blade Kit	1
3	68-503	Cooling Air Deflector 2	1	6	68-506	Input Air Screen Kit	1	9	68-509	Fan Housing Kit	1




YAMAKOYO
G 1000 i

G 1000 i											
No.	P/N	Description	Qty	No.	P/N	Description	Qty	No.	P/N	Description	Qty
1	68-501	Long Block Assy.	1	14	68-514	Fan Blade Cover Kit	1	19	68-519	M5 Bolt Kit	1
10	68-510	Rear Stator Housing Kit	1	15	68-515	Ignition Coil Kit	1	20	68-520	Element Air Cleaner	1
11	68-511	Ignition Timing Sensor	1	16	68-516	Fuel Tank Cap	1	21	68-521	Air Filter Cover	1
12	68-512	Rotor & Stator Assy. Kit	1	17	68-517	Fuel Tank Assy. Kit	1				
13	68-513	Clutch Kit	1	18	68-518	Recoil Starter Assy.	1				



G 1000 i

No.	P/N	Description	Qty	No.	P/N	Description	Qty	No.	P/N	Description	Qty
1	68-501	Long Block Assy.	1	25	68-525	Left Case Assy.	1	29	68-529	Exhaust Manifold Kit	1
22	68-522	Fuel Valve Knob	1	26	68-526	Fuel Valve	1	30	68-530	Top Maintenance Cover	1
23	68-523	Recoil Handle Kit	1	27	68-527	Joining Pipe Kit	1	31	68-531	Choke Lever Assy.	1
24	68-524	Left Maintenance Cover	1	28	68-528	Gasket	1	32	68-532	Right Cover Casing Assy.	1

Technical Support:

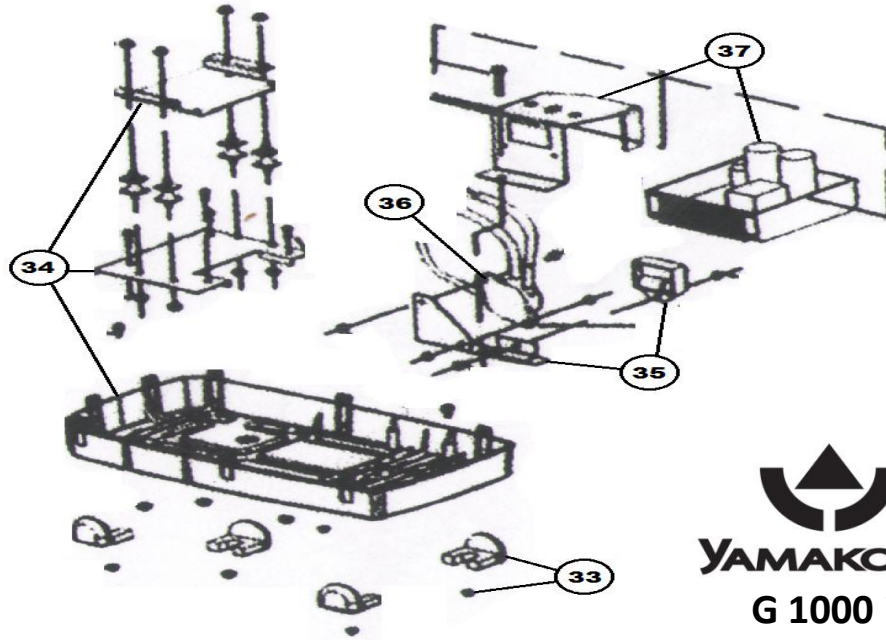
1-866-852-6872

www.kbnusa.com

©Yamakoyo Machinery Co., Ltd.

Rev. 0411

G 1000 i



No.	P/N	Description	Qty
33	68-533	Shock Absorber Pad Kit	1
34	68-534	Inverter Base Assy. Kit	1
35	68-535	CDI Assy.	1
36	68-536	Fuel Pump Assy. Kit	1
37	68-537	Inverter Assy. Kit	1
38	68-640	Spark Plug	1
39	68-646	Carburetor Assy	1

Technical Support:
 1-866-852-6872
 www.kbnusa.com

©Yamakoyo Machinery Co., Ltd.
 Rev. 0411