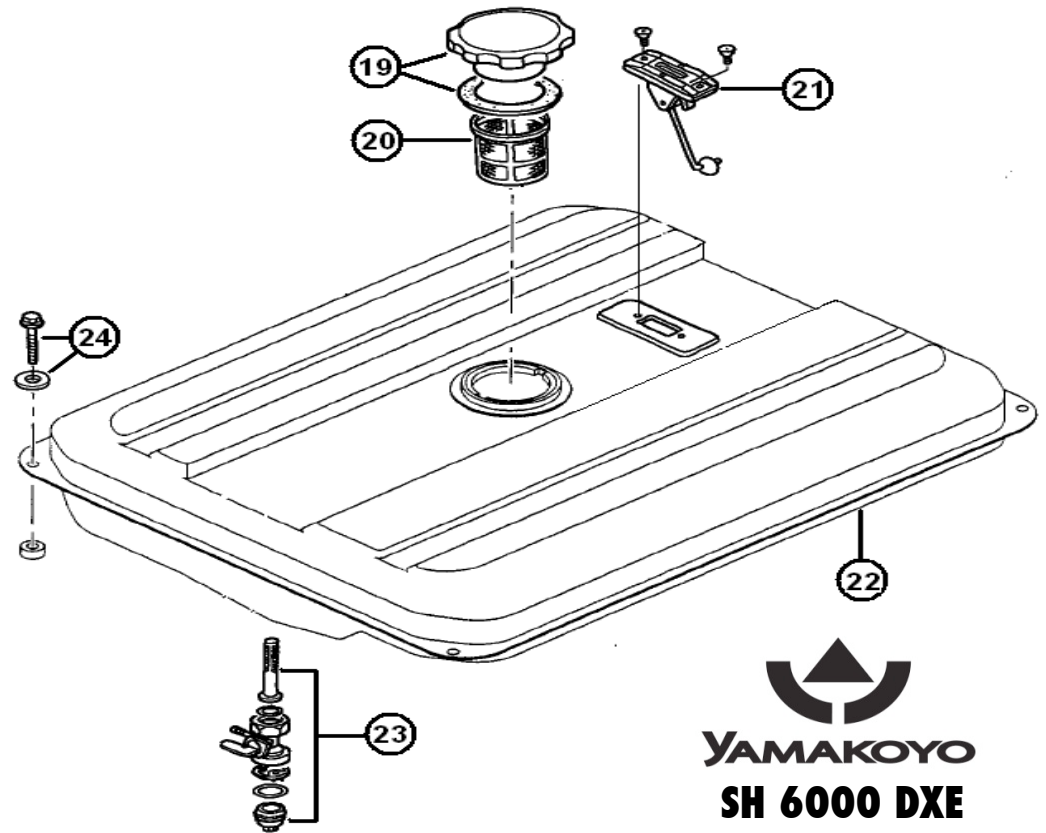
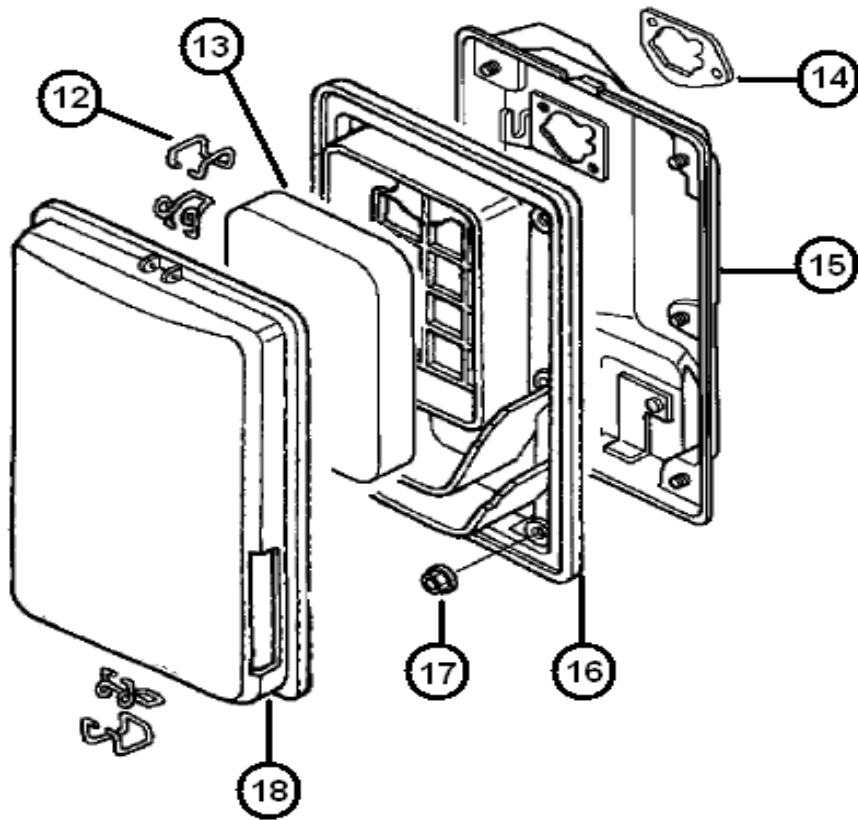


やまこよ
 **YAMAKOYO**
SH 6000 DXE



SH 6000 DXE											
No.	P/N	Description	Qty	No.	P/N	Description	Qty	No.	P/N	Description	Qty
1	68-101	Fuel Tank Assy	1	6	68-106	Tire Assy	2	11	68-111	Choke Assy.	1
2	68-187	Complete Panel Assy.	1	7	68-107	Locking Nut Kit	2		68-177	Leveler Bumper	2
3	68-103	Handle	2	8	68-108	Frame Assy	1		68-181	Complete Wheel Kit Assy.	1
4	68-104	Dry Cell Battery	1	9	YK 1300 V	Yamakoyo Engine	1		68-179	Battery Cables Kit	1
5	68-105	Stand Leveler Kit	2	10	68-110	Air Filter Kit Assy	1		68-180	Genset Shock Absorber Kit	4

Technical Support:
1-866-852-6872
www.kbnusa.com
 ©Yamakoyo Machinery Co., Ltd.

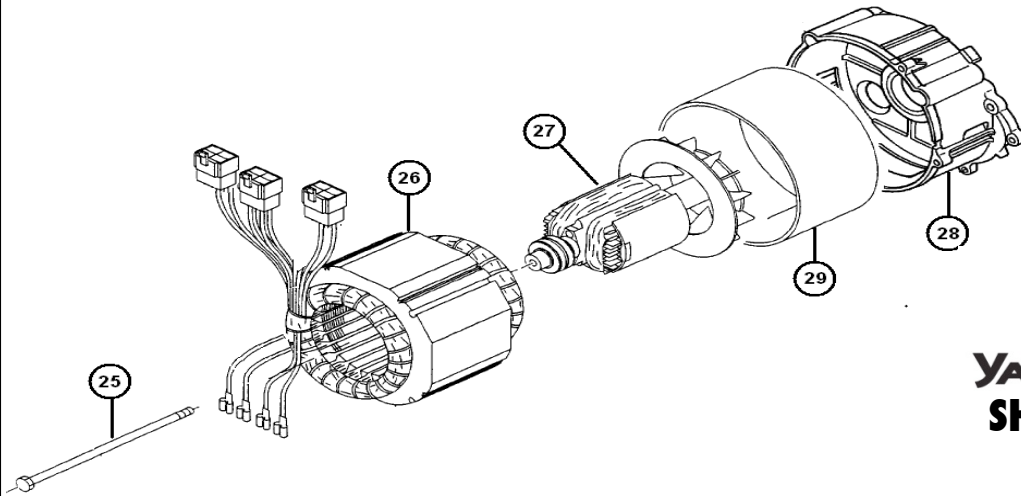


SH 6000 DXE

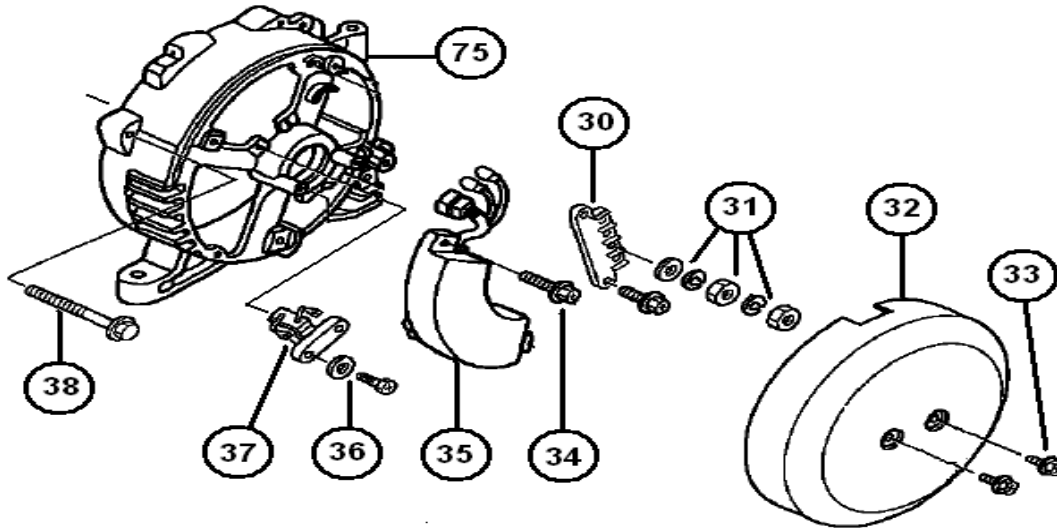
No.	P/N	Description	Qty	No.	P/N	Description	Qty	No.	P/N	Description	Qty
Air Cleaner Assembly				Air Cleaner Assembly				Fuel Tank Assy			
12	68-112	Air Cleaner Cover Clip K	2	17	68-117	Nut	4	21	68-121	Fuel Gauge Kit	1
13	68-113	Element Air Cleaner	1	18	68-118	Air Cleaner Cover	1	22	68-122	Fuel Tank Only	1
14	68-114	Gasket, Air Cleaner	1	Fuel Tank Assy				23	68-123	Fuel Shut Off Valve	1
15	68-115	Air Cleaner Back Cover	1	19	68-119	Fuel Cap Kit	1	24	68-124	Mounting Kit, Fuel Tank	1
16	68-116	Air Cleaner Housing	1	20	68-120	Fuel Strainer	1				

Technical Support:
1-866-852-6872
www.kbnusa.com
©Yamakoyo Machinery Co., Ltd.

SH 6000 DXE



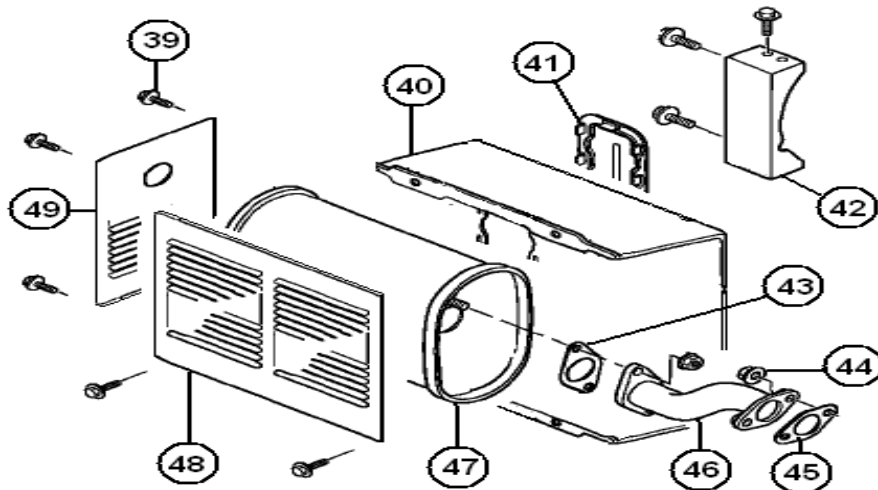
No.	P/N	Description	Qty
25	68-125	Center Bolt, Rotor	1
26	68-182	Stator Assy.	1
27	68-183	Rotor Assy.	1
28	68-128	Crank Case Cover Assy.	1
29	68-129	Cover, Stator	1



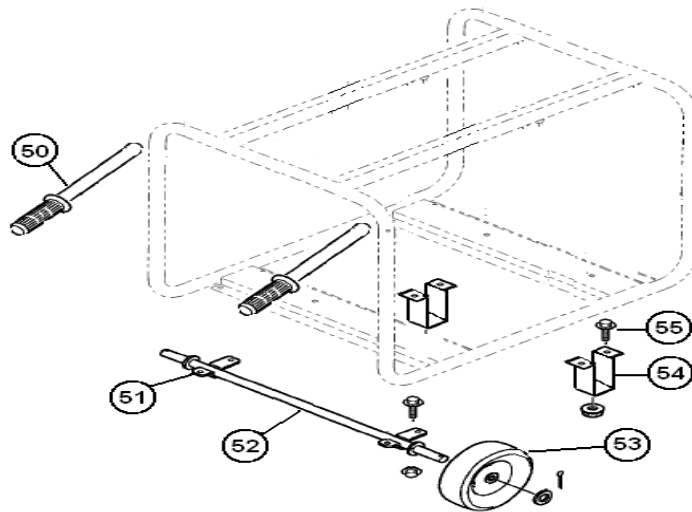
No.	P/N	Description	Qty
30	68-130	Terminal Block	1
31	68-131	Nut Kit, Terminal Block	1
32	68-132	Cover, Alternator	1
33	68-133	Cover Bolt	2
34	68-134	Bolts	4
35	68-184	AVR Assy.	1
36	68-136	Bolt Kit, Brush	1
37	68-137	Carbon Brush Assy.	1
38	68-138	Bolt, Mounting	4
75	68-175	End Case, Rotor	1

Technical Support:
1-866-852-6872
www.kbnusa.com
©Yamakoyo Machinery Co., Ltd.

SH 6000 DXE



No.	P/N	Description	Qty
39	68-139	Bolts	12
40	68-140	Muffler Side Cover	1
41	68-141	Muffler Side Gasket	1
42	68-142	Mounting Bracket	1
43	68-143	Gasket, Muffler	1
44	68-144	Nut	4
45	68-145	Gasket, Muffler Side	1
46	68-146	Pipe, Exhaust	1
47	68-147	Muffler, Component	1
48	68-148	Cover, Muffler Outer	1
49	68-149	Cover, Muffler Front	1



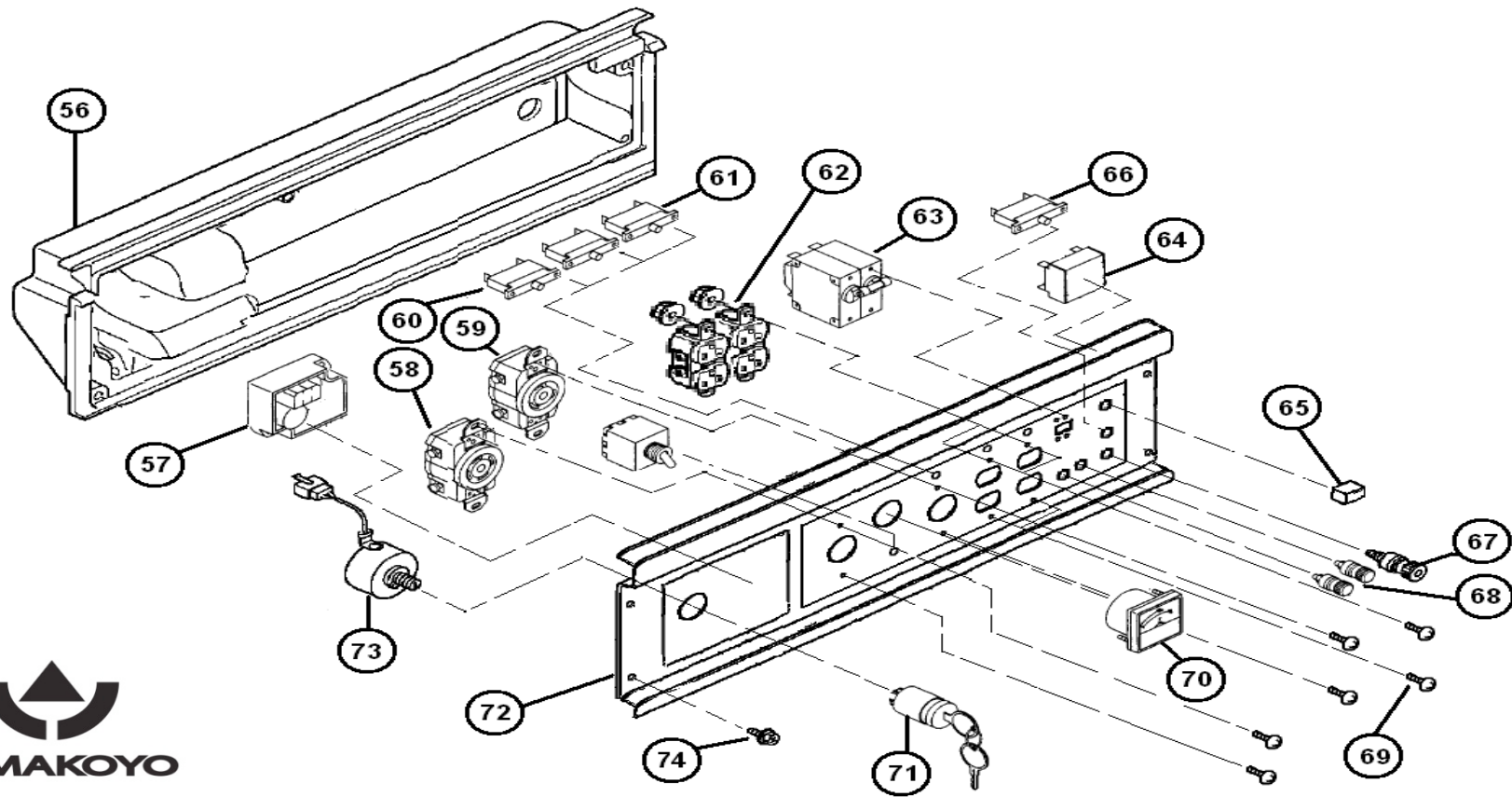
No.	P/N	Description	Qty
50	68-103	Handle	2
51	68-151	Mounting Bracket	2
52	68-152	Axle	1
53	68-153	Wheel	2
54	68-154	Stand Leveler	1
55	68-155	Kit, Wheel Kit Hardware	1



Technical Support:
1-866-852-6872
www.kbnusa.com
©Yamakoyo Machinery Co., Ltd.



YAMAKOYO
SH 6000 DXE



SH 6000 DXE

No.	P/N	Description	Qty	No.	P/N	Description	Qty	No.	P/N	Description	Qty
56	68-156	Back Cover, Panel	1	63	68-163	Main Circuit Breaker	1	70	68-170	Voltmeter	1
57	68-157	Diode Assy	1	64	68-164	Diode	1	71	68-171	Key	1
58	68-158	Receptacle, 120/240 V	1	65	68-165	Indicator Light	1	72	68-185	Face Plate	1
59	68-159	Receptacle, L5-30 A, 120	1	66	68-166	DC Circuit Protector	1	73	68-173	Ignition Key Switch	1
60	68-160	Circuit Breaker	1	67	68-167	Grounding Pole	1	74	68-174	Mounting Bolt	4
61	68-161	Circuit Breaker	2	68	68-168	DC Pole Red & Black	1		68-186	Main Harness Assy	1
62	68-162	Receptacle, 120 V	2	69	68-169	Screw	12				

SH 6000 DXE

