

# GPW 2700

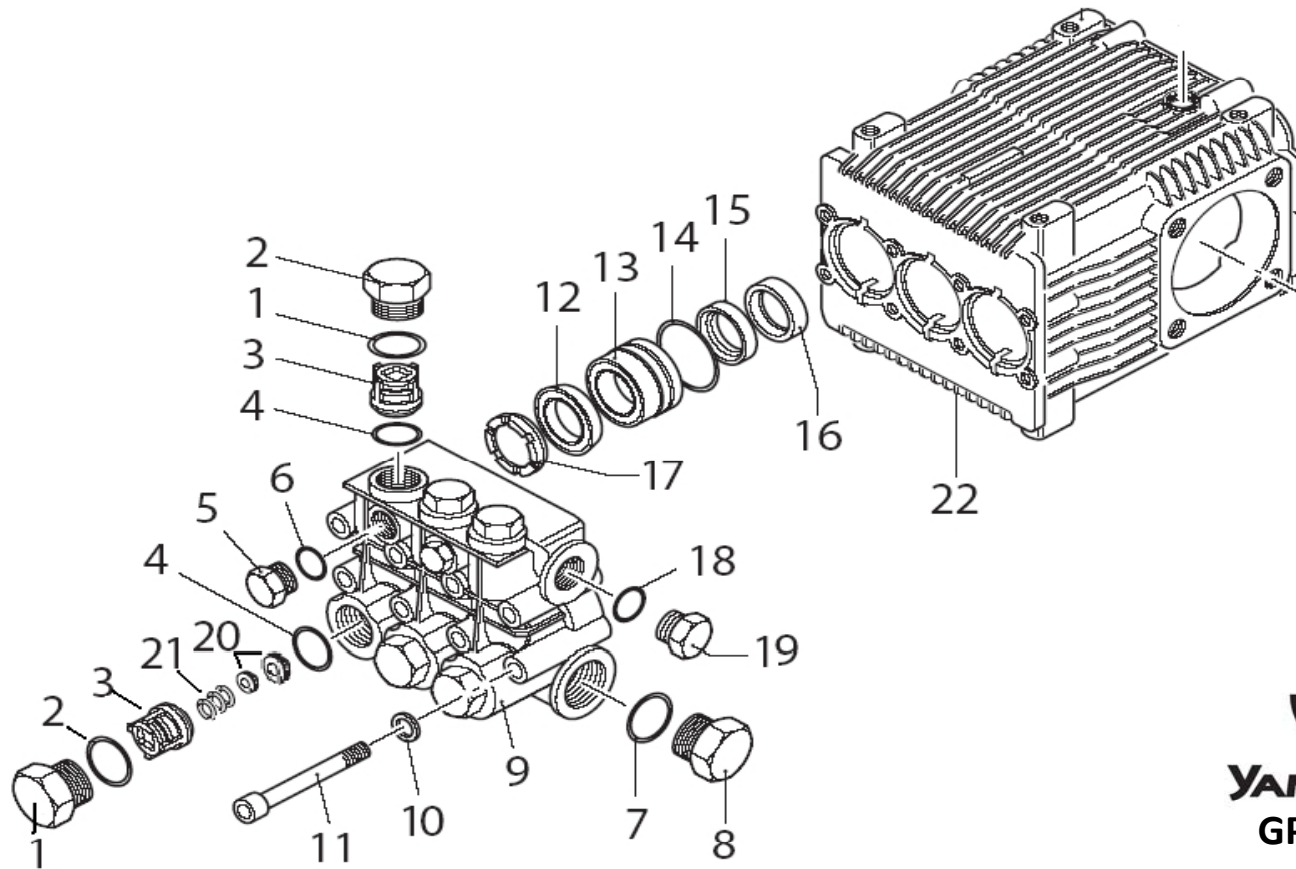


## GPW 2700

No.	P/N	Description	Qty	No.	P/N	Description	Qty	No.	P/N	Description	Qty
A	62-111	Frame Assy.	1	F	YK 650 Q	Yamakoyo Engine Assy.	1	I-3	62-107	Green 25 degrees	1
B	62-112	Shock Absorber	2	G	62-00	High Pressure Pump Assy.	1	I-4	62-108	White 40 degrees	1
C	62-100	High Pressure Hose	1	H	62-98	Gun & Wand Assy.	1	I-5	62-109	Black 60 degrees	1
D	62-113	Nut, Wheel	2	I-1	62-105	Nozzle Tip Red 0 degrees	1	J	62-114	Hose & Gun Holder	1
E	62-101	Wheel Assy.	2	I-2	62-106	Yellow 15 degees	1				

Technical Support:  
1-866-852-6872  
www.kbnusa.com

©Yamakoyo Machinery Co., Ltd.  
Rev. 0308



GPW 2700											
No.	P/N	Description	Qty	No.	P/N	Description	Qty	No.	P/N	Description	Qty
1	62-94	O-Ring	3	10	62-96	Bolt, Cylinder	8	17	62-38	U-Packing Seat	3
2	62-95	Check Valve Cap	3	11	62-94	Gasket, Compaction Cap	3	18	62-114	O-Ring	1
3	62-93	Check Valve Box	3	12	62-37	U-Packing	3	19	62-115	3/8 Plug	1
4	62-89	Gasket, Check Valve	1	13	62-34	Locating Ring Water Seal	3	20	62-90	Washer, Check Valve	3
5	62-110	Plug	1	13	62-35	Compaction Ring, Water Seal	3	20	62-91	Check Valve Stopper	3
6	62-111	O-Ring	1	13	62-36	Compaction Flake Water Seal	3	21	62-92	Spring, Check Valve	3
7	62-112	O-Ring	1	14	62-33	Gasket, Locating Ring	3	22	62-11	Crank Case	1
8	62-113	Plug	1	15	62-32	Locating Ring	3				
9	62-88	Cylinder	1	16	62-31	Plunger Oil Seal	3				

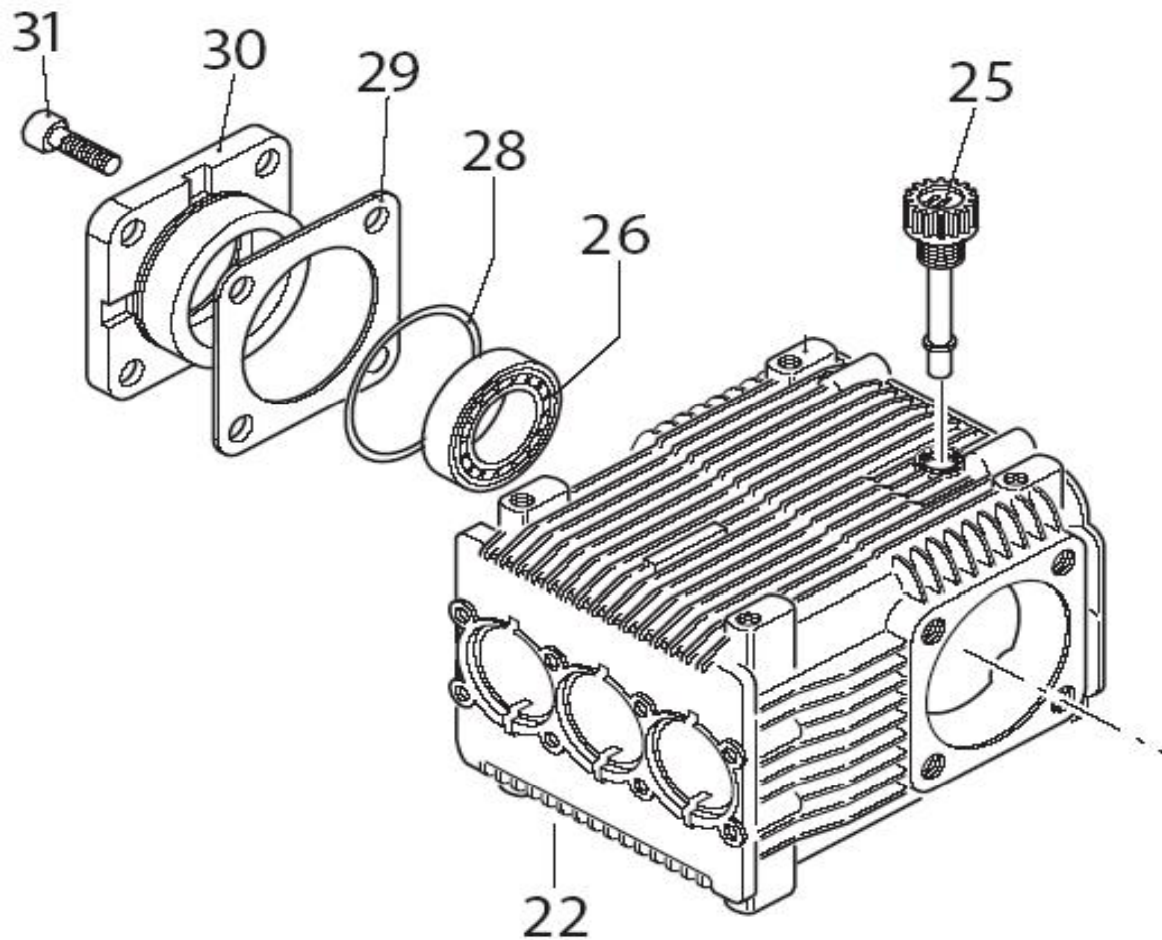
Technical Support:

1-866-852-6872

www.kbnusa.com

©Yamakoyo Machinery Co., Ltd.

Rev. 0308

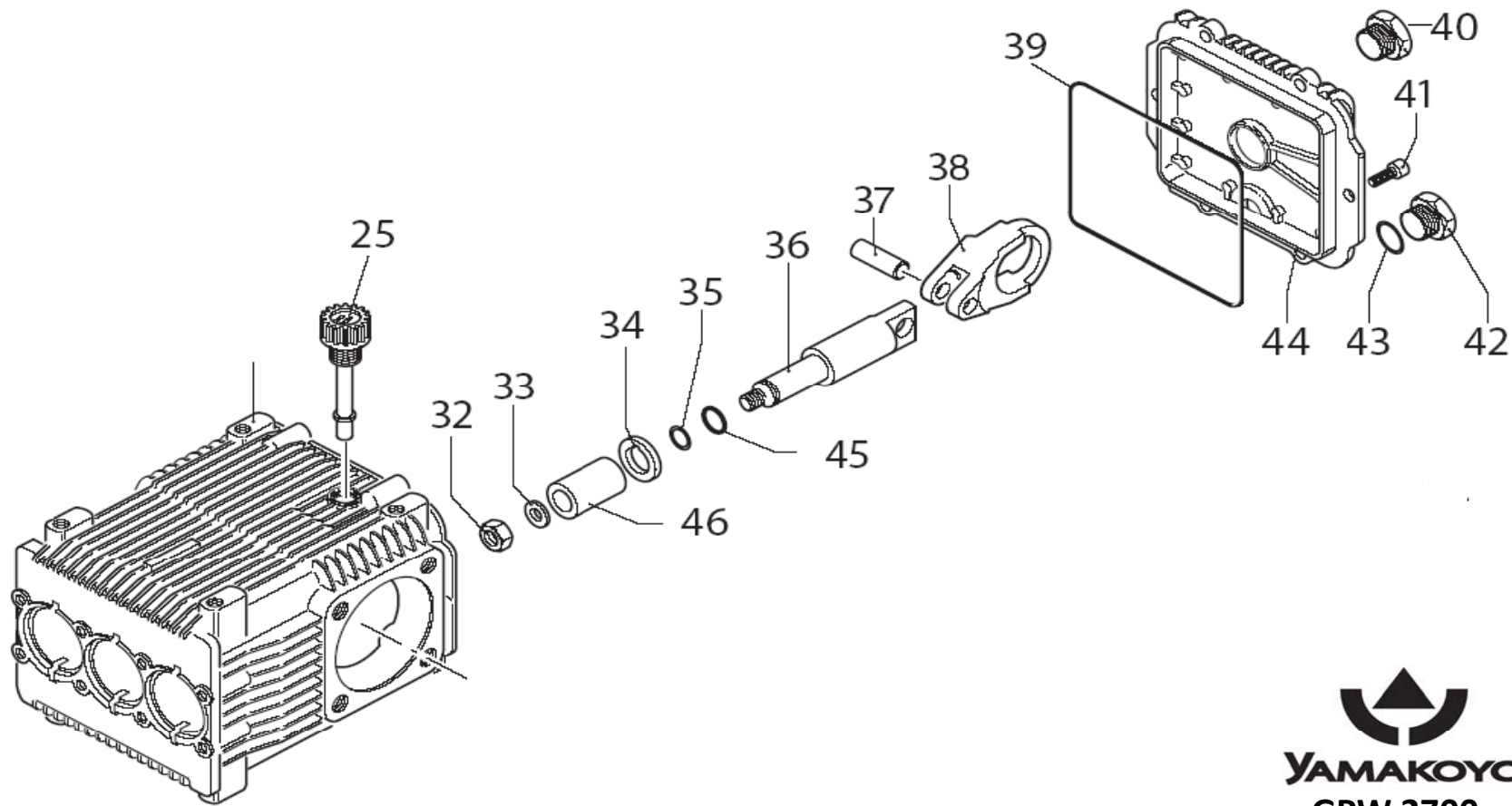


### GPW 2700

No.	P/N	Description	Qty	No.	P/N	Description	Qty	No.	P/N	Description	Qty
22	62-11	Crank Case	1	25	62-10	Gasket,Oil Inlet Plug	1	29	62-13	Gasket Shaft Cover	1
25	62-08	Cover, Oil Inlet Plug	1	26	62-16	Ball Bearing	1	30	62-13	Crank Shaft Cover	1
25	62-09	Oil Inlet Plug	1	28	62-14	Gasket, Bearing Cover	1	31	62-12	Bolt, Crank Shaft Cover	4

Technical Support:  
1-866-852-6872  
www.kbnusa.com

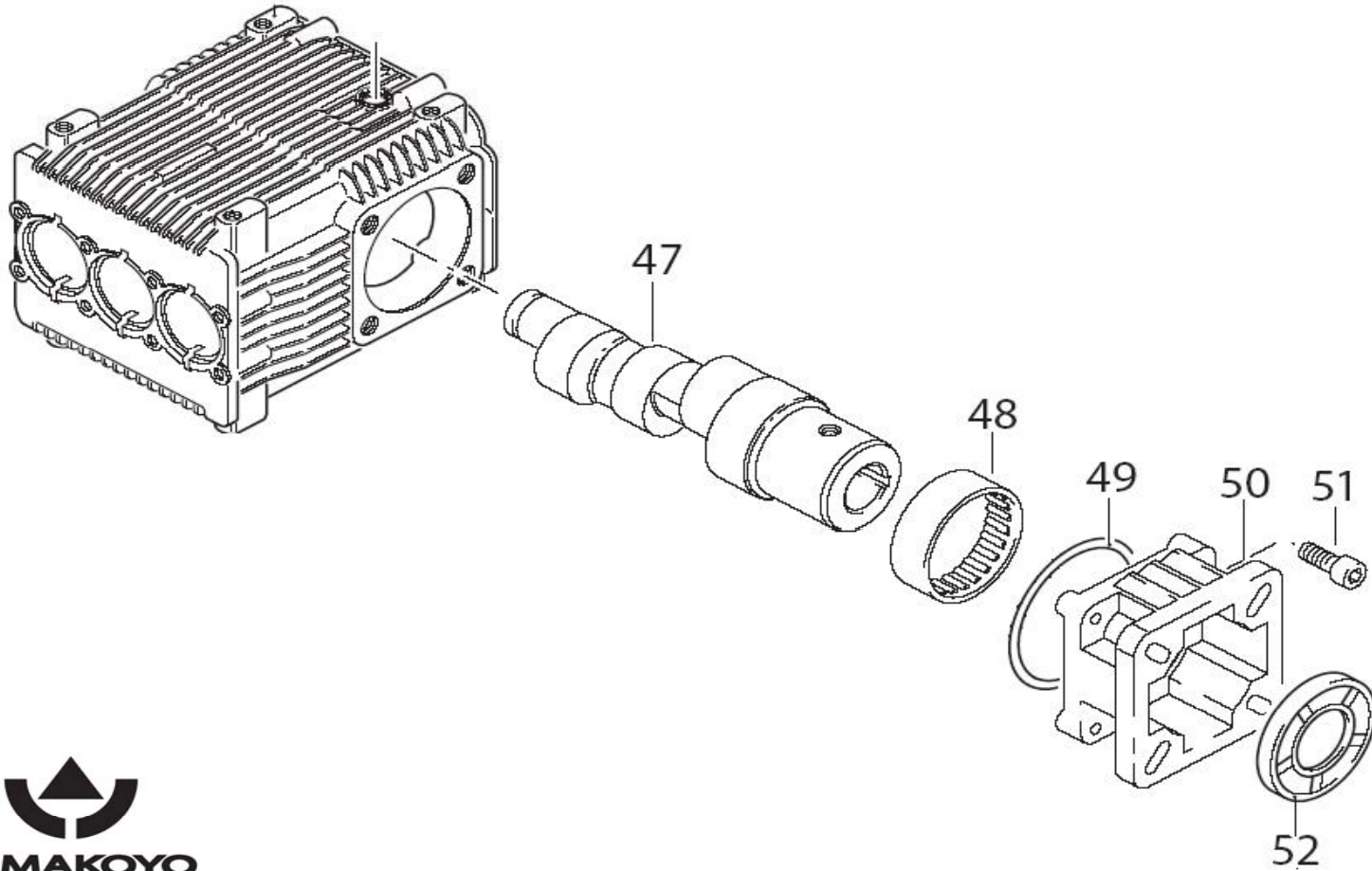
©Yamakoyo Machinery Co., Ltd.  
Rev. 0308



GPW 2700											
No.	P/N	Description	Qty	No.	P/N	Description	Qty	No.	P/N	Description	Qty
25	62-08	Cover, Oil Inlet Plug	1	36	62-25	Plunger Rod	3	41	62-01	Bolt, Cover Crank Case	6
25	62-09	Oil Inlet Plug	1	37	62-24	Plunger Pin	3	42	62-05	Oil Drain Plug	1
25	62-10	Gasket, Oil Inlet Plug	1	38	62-23	Connecting Rod	3	43	62-04	Gasket, Oil Drain Plug	1
32	62-30	Plunger Fix Nut	3	39	62-07	Gasket, Cover of Crank Case	1	44	62-06	Crank Case Cover	1
33	62-29	Washer, Plunger Fix Nut	3	40	62-02	Oil Gauge	1	45	62-26	Gasket, Plunger Rod	3
34	62-27	Washer Checking Flake	3	40	62-03	Gasket, Oil Gauge	1	46	62-28	Ceramic Plunger	3

Technical Support:  
1-866-852-6872  
www.kbnusa.com

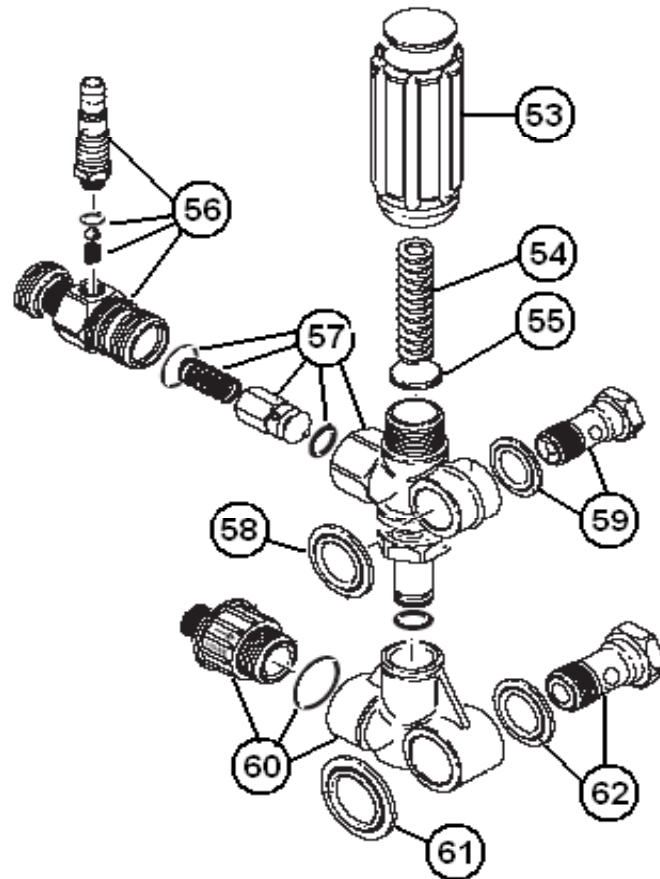
©Yamakoyo Machinery Co., Ltd.  
Rev. 0308



### GPW 2700

No.	P/N	Description	Qty	No.	P/N	Description	Qty	No.	P/N	Description	Qty
47	62-17	Crank Shaft	1	49	62-19	Gasket, Bearing Cover	1	51	62-22	Bolt, Flange	4
48	62-18	Needle Roller Bearing	1	50	62-20	Flange	1	52	62-21	Oil Seal, Flange	1

**62-125**  
**Unloader Assy.**



GPW 2700											
No.	P/N	Description	Qty	No.	P/N	Description	Qty	No.	P/N	Description	Qty
53	62-115	Pressure Handle	1	57	62-119	Water Outlet Tee Assy.	1	61	62-123	O-Ring Inlet Tee	1
54	62-116	Pressure Spring	1	58	62-120	O-Ring Outlet Tee	1	62	62-124	Fix Bolt Inlet Tee Assy.	1
55	62-117	Under Washer Spring	1	59	62-121	Fix Bolt Outlet Tee Assy.	1	63	62-125	Unloader Assy	1
56	62-118	Chemical Injector Assy	1	60	62-122	Water Inlet Tee Assy.	1				

**Technical Support:**  
**1-866-852-6872**  
**www.kbnusa.com**

©Yamakoyo Machinery Co., Ltd.  
Rev. 0308