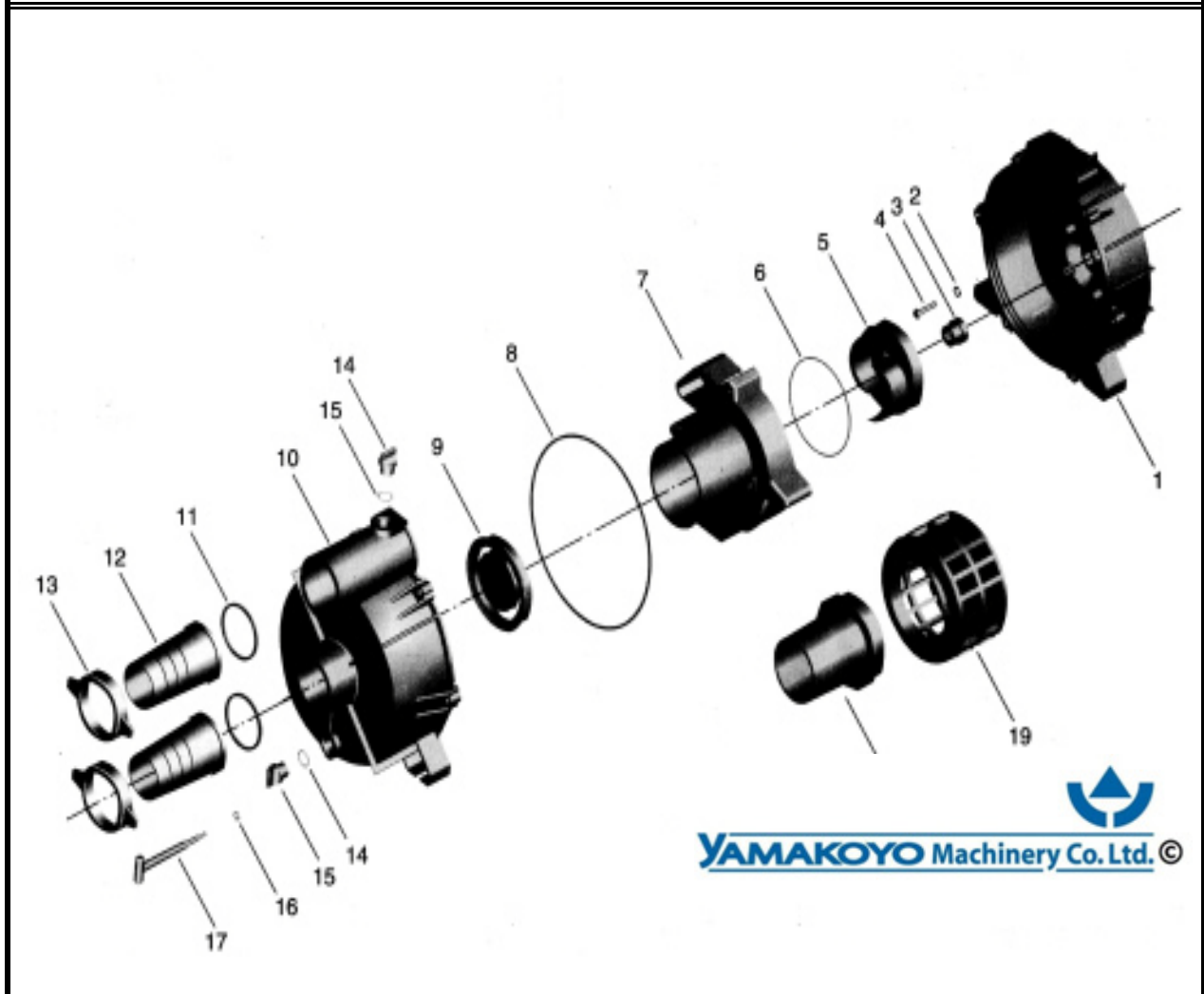


GTP 80 - 3" TRASH PUMP



GTP 80 (3" Trash Pump)

No.	P/N	Description	Qty	No.	P/N	Description	Qty
1	61-121	Pump inner housing	1	11	61-131	Intake/Discharge Seal	2
2	61-122	Washer	4	12	61-132	Intake/Discharge Fitting	2
3	61-123	Mechanical Seal	1	13	61-133	Joint	2
4	61-124	Bolt	4	14	61-134	Seal, Drain Plug	2
5	61-125	Impeller	1	15	61-135	Drain Plug	2
6	61-126	Inner O-ring	1	16	61-136	O-ring	5
7	61-127	Spiral case	1	17	61-137	Outer Bolt	5
8	61-128	Outer Body O-ring	1	18	61-138	Strainer 1	1
9	61-129	Check Valve	1	19	61-139	Strainer 2	1
10	61-130	Pump outer housing	1	20	61-140	Frame	2

Technical Support:

1-866-852-6872

©Yamakoyo Machinery Co., Ltd.

www.kbnusa.com Yamakoyo_Pump_GTP-80_IPL_Rev_02-09