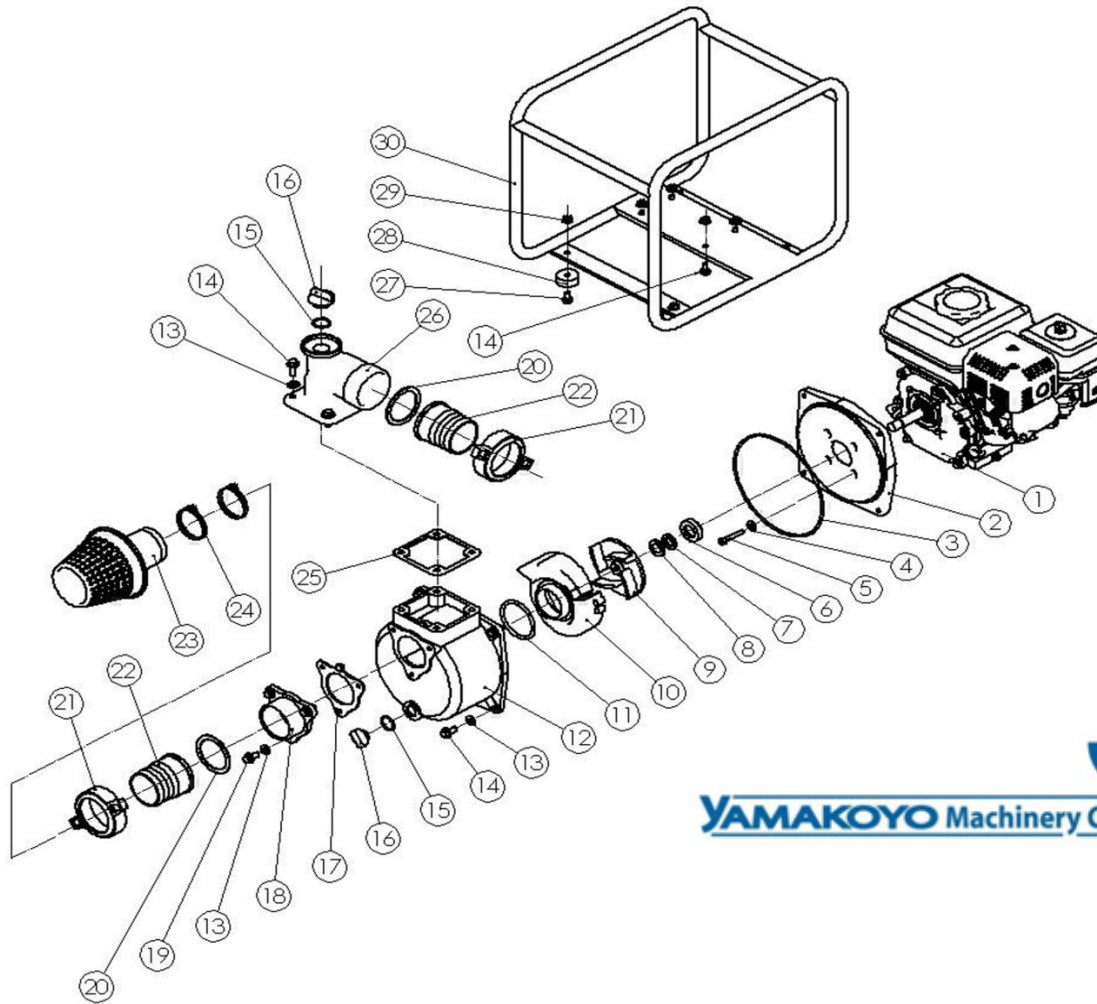


# GWP 50 - 2" WATER PUMP



## GWP 50 (2" Water Pump)

No.	P/N	Description	Qty	No.	P/N	Description	Qty	No.	P/N	Description	Qty
1		Yamakoyo Engine 5.5 HP	1	11	61-10	"O" seal	1	21	61-20	Joint	2
2	61-01	Pump body	1	12	61-11	Pump cover	1	22	61-21	Head	2
3	61-02	"O" seal	1	13	61-12	Packing <sup>8</sup>	11	23	61-22	Strainer	1
4	61-03	Washer	4	14	61-13	Flange bolt M8x20	4	24	61-23	Tab clip	2
5	61-04	Hexagon screws M8x55	4	15	61-14	"O" seal	2	25	61-24	Seal packing	1
6	61-05	Casing wear ring	1	16	61-15	Plug	2	26	61-25	Elbow draft tube	1
7	61-06	Impeller wear ring	1	17	61-16	Check valve	1	27	61-26	Flange bolt M8x25	4
8	61-07	Impeller seals	1	18	61-17	Flume	1	28	61-27	Flame rubber	4
9	61-08	Impeller	1	19	61-18	Flange bolt M8x20	7	29	61-28	Nut M8	4
10	61-09	Spiral case	1	20	61-19	Seal packing	2	30	61-29	flame	1

**Technical Support:**

**1-866-852-6872**

©Yamakoyo Machinery Co., Ltd.

[www.kbnusa.com](http://www.kbnusa.com)Yamakoyo\_Pump\_GWP-50\_IPL\_Rev\_02-09