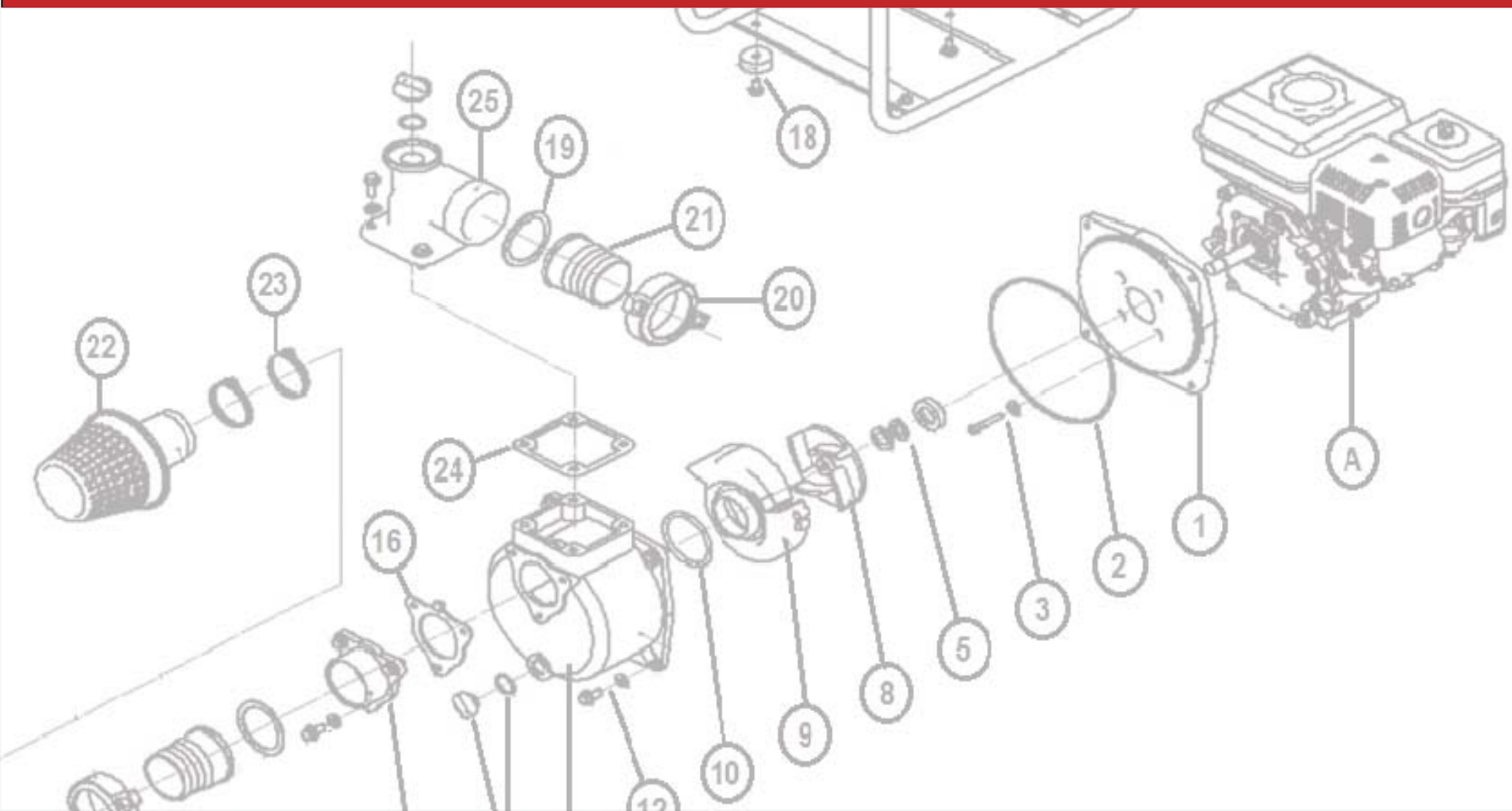
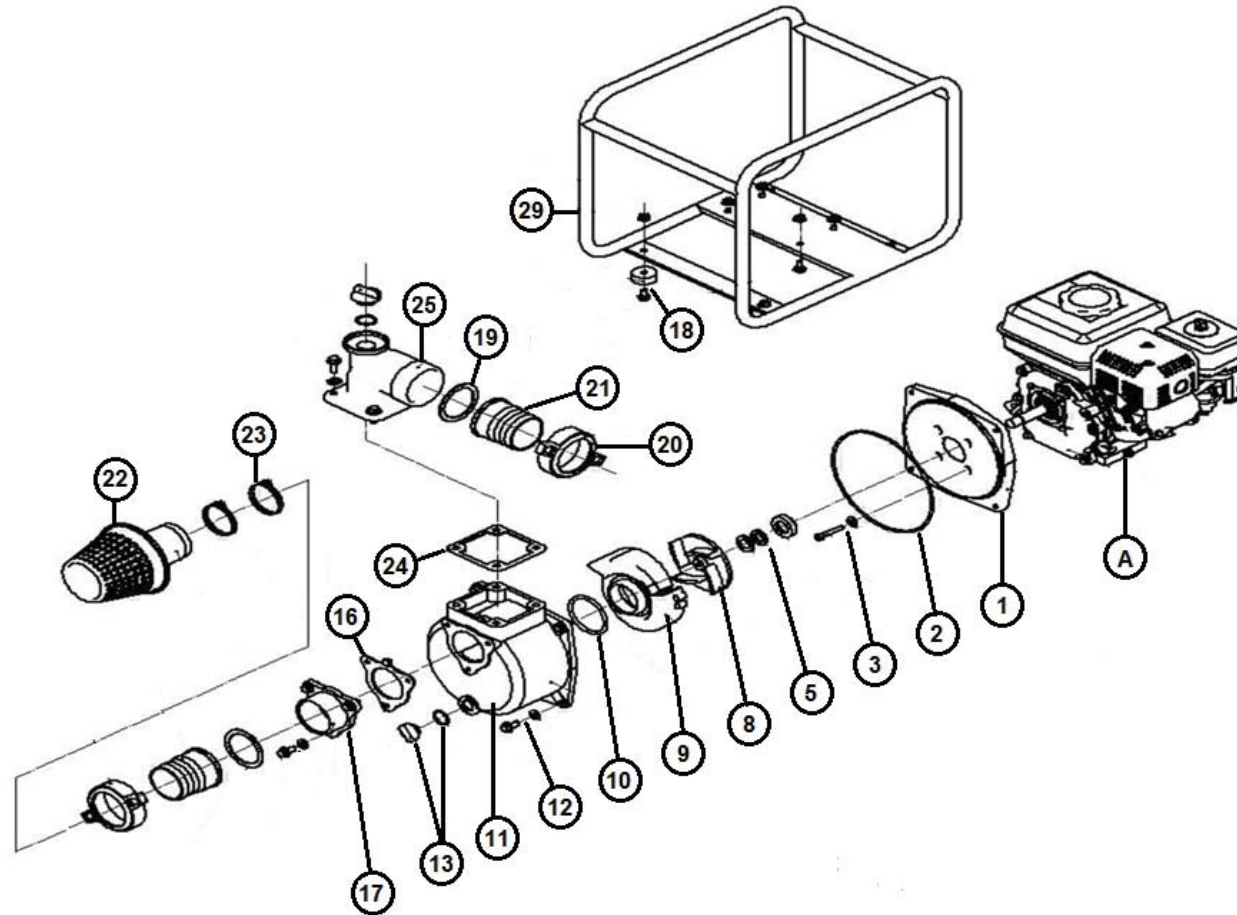


# YAMAKOYO®

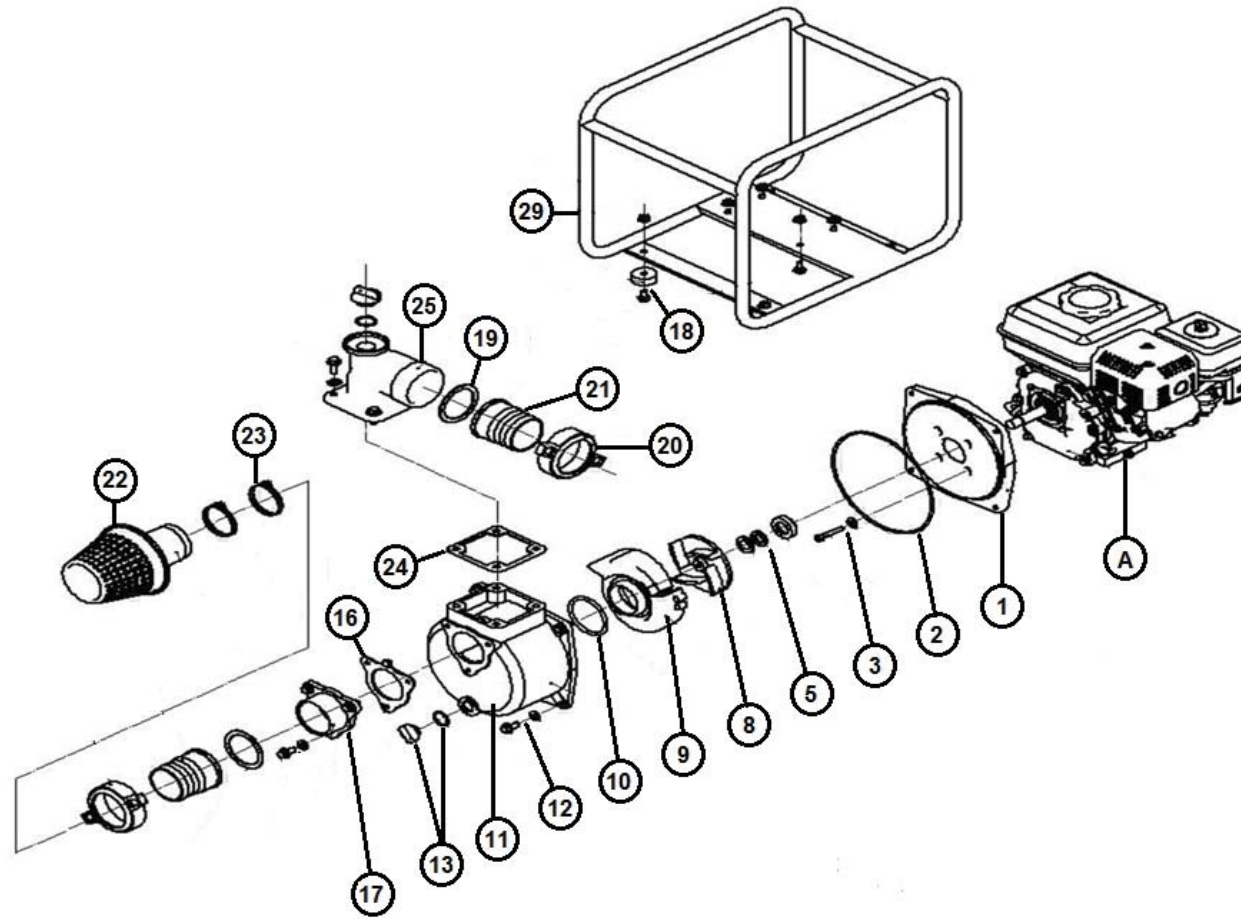
## Water & Trash Pump IPL



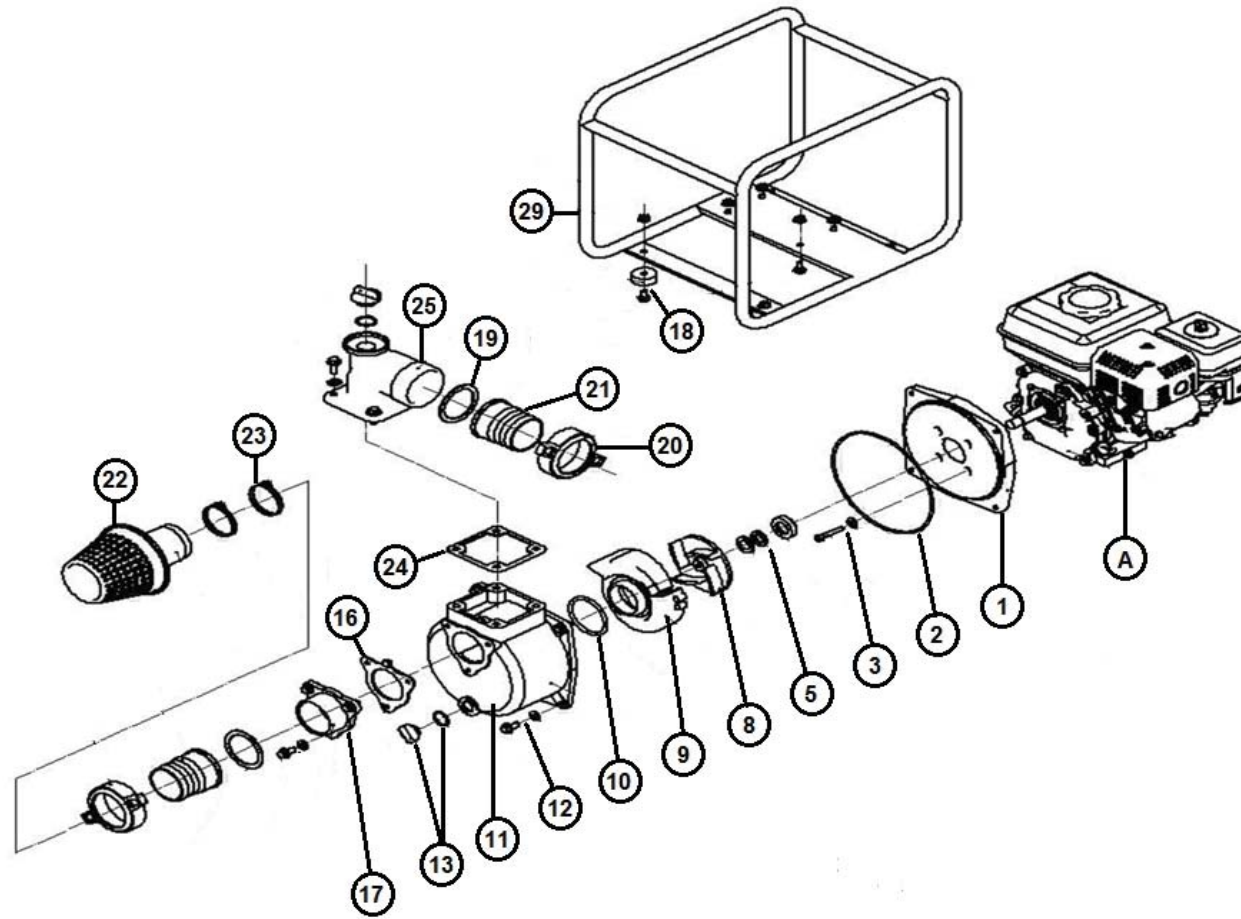


**TP 20 (2" Water Pump)**

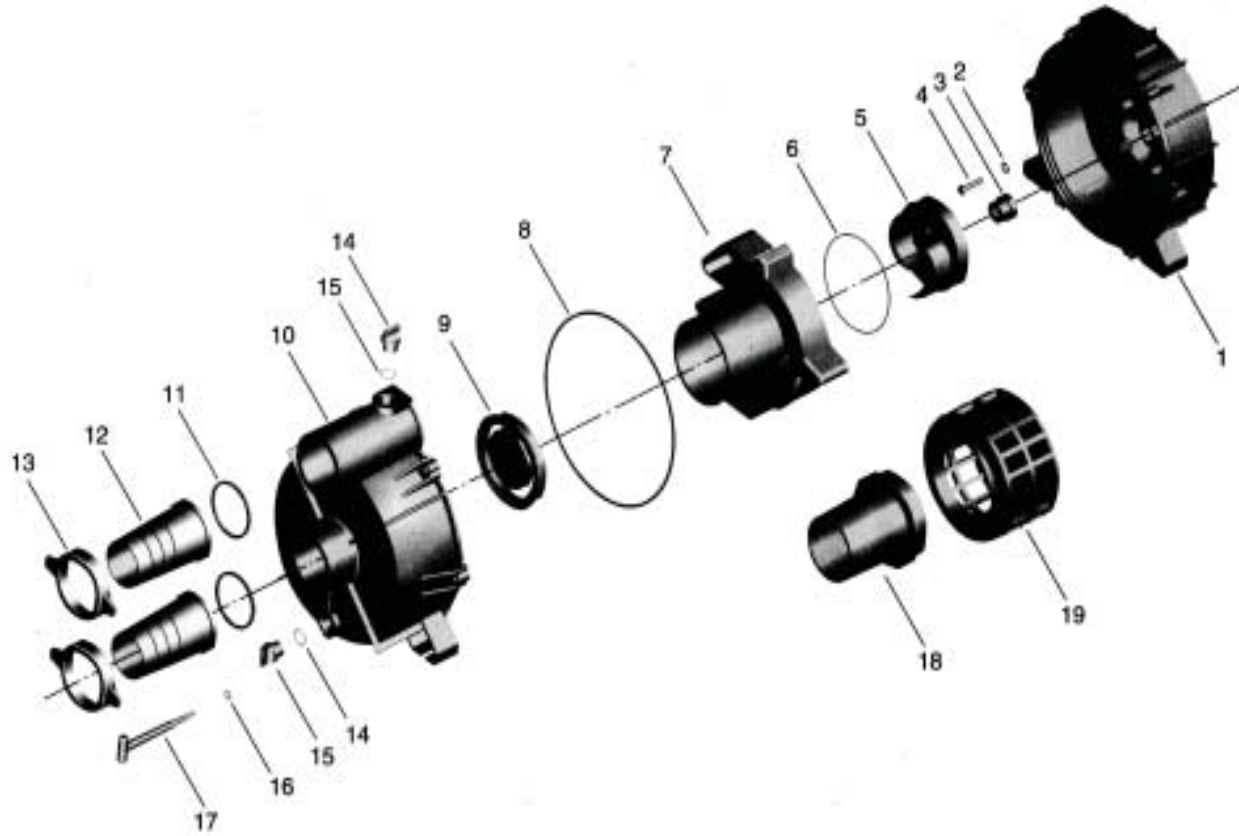
No.	P/N	Description	Qty	No.	P/N	Description	Qty	No.	P/N	Description	Qty
A	T-6	Yamakoyo Engine 5.5 HP	1	12	61-307	Pump Bolts Kit	11	24	61-24	Discharge Gasket	1
1	61-01	Pump body	1	13	61-308	Drain Plug Kit	2	24	61-24-4	Outlet Gasket with Small Pattern	1
2	61-02	"O" seal	1	16	61-16	Check valve	1	25	61-25	Discharge Elbow	1
3	61-306	Pump Body Bolts Kit	4	16	61-16-4	Check Valve Smaller Pattern	1	25	61-25-4	Discharge Elbow Small Pattern	1
5	61-725	Mechanical Seal Kit	1	17	61-17	Inlet Flume	1	29	61-29	Frame	1
8	61-08	Impeller	1	18	61-309	Shock Absorber Kit	1		61-49	Complete Pump Kit	1
9	61-09	Spiral case	1	20	61-20	Wing NPT Joint	2				
10	61-10	Spiral Case Seal	1	21	61-21	Tapered Joint	2				
11	61-11	Pump Cover	1	22	61-22	Strainer	1				
	61-11-4	Pump Cover (4 Bolt Pattern)	1	23	61-23	Tube Pipe Clip	2				



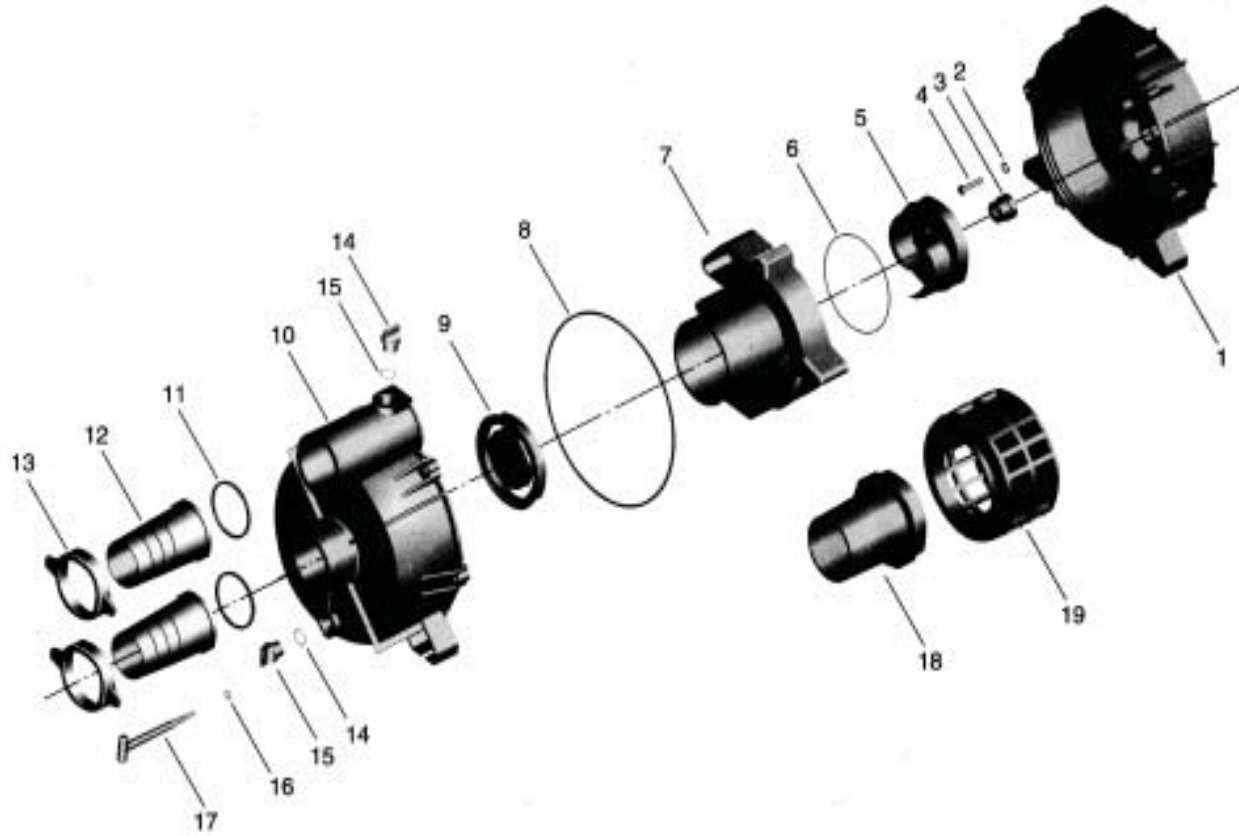
TP 30 (3" Water Pump)											
No.	P/N	Description	Qty	No.	P/N	Description	Qty	No.	P/N	Description	Qty
A	T-7	Yamakoyo Engine 6.5 HP	1	11	61-38	Pump Cover	1	22	61-44	Strainer	1
1	61-30	Pump body	1	12	61-311	Pump Bolts Kit	11	23	61-45	Tube Pipe Clip	2
2	61-31	"O" seal	1	13	61-312	Drain Plug Kit	2	24	61-46	Discharge Gasket	1
3	61-310	Pump Body Bolts Kit	4	16	61-39	Check valve	1	25	61-47	Discharge Elbow	1
5	61-726	Mechanical Seal Kit	1	17	61-40	Inlet Flume	1	29	61-48	Frame	1
8	61-35	Impeller	1	18	61-313	Shock Absorber Kit	1		61-50	Complete Pump Kit	1
9	61-36	Spiral case	1	20	61-42	Wing NPT Joint	2				
10	61-37	Spiral Case Seal	1	21	61-43	Tapered Joint	2				



TP 40 (4" Water Pump)											
No.	P/N	Description	Qty	No.	P/N	Description	Qty	No.	P/N	Description	Qty
A	T-9	Yamakoyo	1	11	61-609	Pump Cover	1	22	61-620	Strainer	1
1	61-601	Pump body	1	12	61-315	Pump Bolts Kit	11	23	61-621	Tube Pipe Clip	2
2	61-602	"O" seal	1	13	61-316	Drain Plug Kit	2	24	61-622	Discharge Gasket	1
3	61-314	Pump Body Bolts	4	16	61-614	Check valve	1	25	61-623	Discharge Elbow	1
5	61-727	Mechanical Seal	1	17	61-615	Inlet Flume	1	29	61-627	Frame	1
8	61-606	Impeller	1	18	61-317	Shock Absorber Kit	1		61-600	Complete Pump Kit	1
9	61-607	Spiral case	1	20	61-618	Wing NPT Joint	2				
10	61-608	Spiral Case Seal	1	21	61-619	Tapered Joint	2				



TTP 20 (2" Trash Pump)											
No.	P/N	Description	Qty	No.	P/N	Description	Qty	No.	P/N	Description	Qty
1	61-101	Pump inner housing	1	8	61-108	Outer Body O-ring	1	15	61-115	Drain Plug	2
2	61-102	Washer	4	9	61-109	Check Valve	1	16	61-116	O-ring	5
3	61-728	Mechanical Seal Kit	1	10	61-110	Pump outer housing	1	17	61-117	Outer Bolt	5
4	61-104	Bolt	4	11	61-111	Intake/Discharge Seal	2	18	61-118	Strainer 1	1
5	61-105	Impeller	1	12	61-112	Intake/Discharge Fitting	2	19	61-119	Strainer 2	1
6	61-106	Inner O-ring	1	13	61-113	Joint	2	20	61-120	Frame	2
7	61-107	Spiral case	1	14	61-114	Seal, Drain Plug	2	21	61-305	Complete Pump Kit	1



### TTP 30 (3" Trash Pump)

No.	P/N	Description	Qty	No.	P/N	Description	Qty	No.	P/N	Description	Qty
1	61-121	Pump inner housing	1	8	61-128	Outer Body O-ring	1	15	61-135	Drain Plug	2
2	61-122	Washer	4	9	61-129	Check Valve	1	16	61-136	O-ring	5
3	61-729	Mechanical Seal Kit	1	10	61-130	Pump outer housing	1	17	61-137	Outer Bolt	5
4	61-124	Bolt	4	11	61-131	Intake/Discharge Seal	2	18	61-138	Strainer 1	1
5	61-125	Impeller	1	12	61-132	Intake/Discharge Fitting	2	19	61-139	Strainer 2	1
6	61-126	Inner O-ring	1	13	61-133	Joint	2	20	61-140	Frame	2
7	61-127	Spiral case	1	14	61-134	Seal, Drain Plug	2		61-800	Complete Pump Kit	1

**YAMAKOYO®**

---

**[www.kbnusa.com](http://www.kbnusa.com)**  
**1-866-852-6872**